

[54] **STACKABLE MATERIAL HANDLING BOX**

[75] **Inventor:** William R. Powell, Hubbard, Ohio

[73] **Assignee:** The Powell Pressed Steel Company, Hubbard, Ohio

[**] **Term:** 14 Years

[21] **Appl. No.:** 631,491

[22] **Filed:** Nov. 13, 1975

[51] **Int. Cl.** D9-03

[52] **U.S. Cl.** D9/246

[58] **Field of Search** D9/246-248,
D9/176-179; D87/1 R; 220/DIG. 2, 14, 15, 1
R; 206/503-520

[56] **References Cited**

U.S. PATENT DOCUMENTS

D. 188,073 5/1960 Lovell D87/1 R

D. 193,215	7/1962	Frederick	D9/247
D. 205,799	9/1966	Josephsen	D87/1 R
D. 223,181	10/1974	Powell	D87/1 R
D. 241,480	9/1976	Silver et al.	D87/1 R

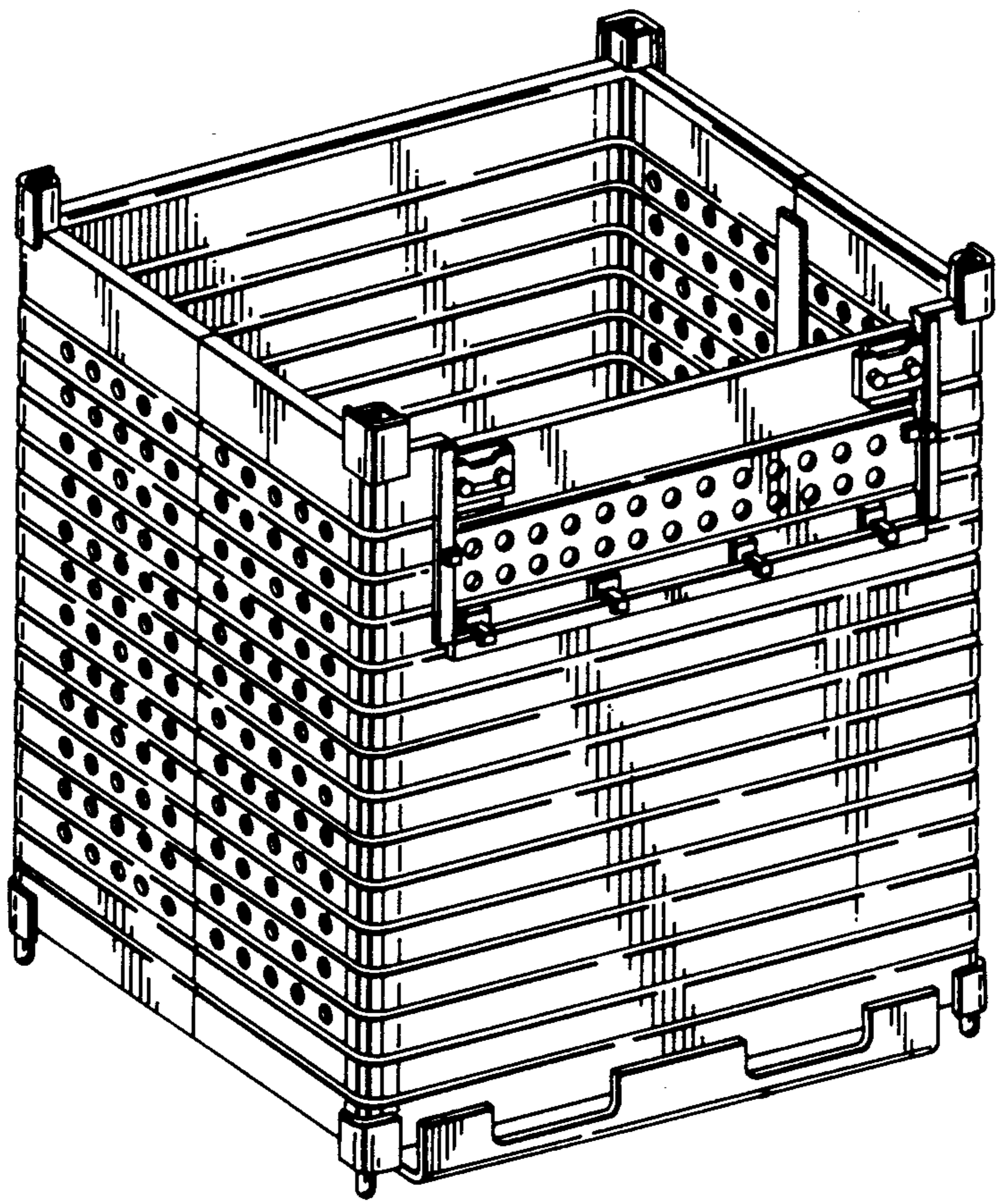
Primary Examiner—Robert C. Spangler
Attorney, Agent, or Firm—Webster R. Harpman

[57] **CLAIM**

The ornamental design for a stackable material handling box, as shown and described.

DESCRIPTION

FIG. 1 is a front perspective view of a stackable material handling box showing my new design; FIG. 2 is a rear perspective view thereof; FIG. 3 is a front perspective view showing a modified form of my new design; and FIG. 4 is a rear perspective view thereof.



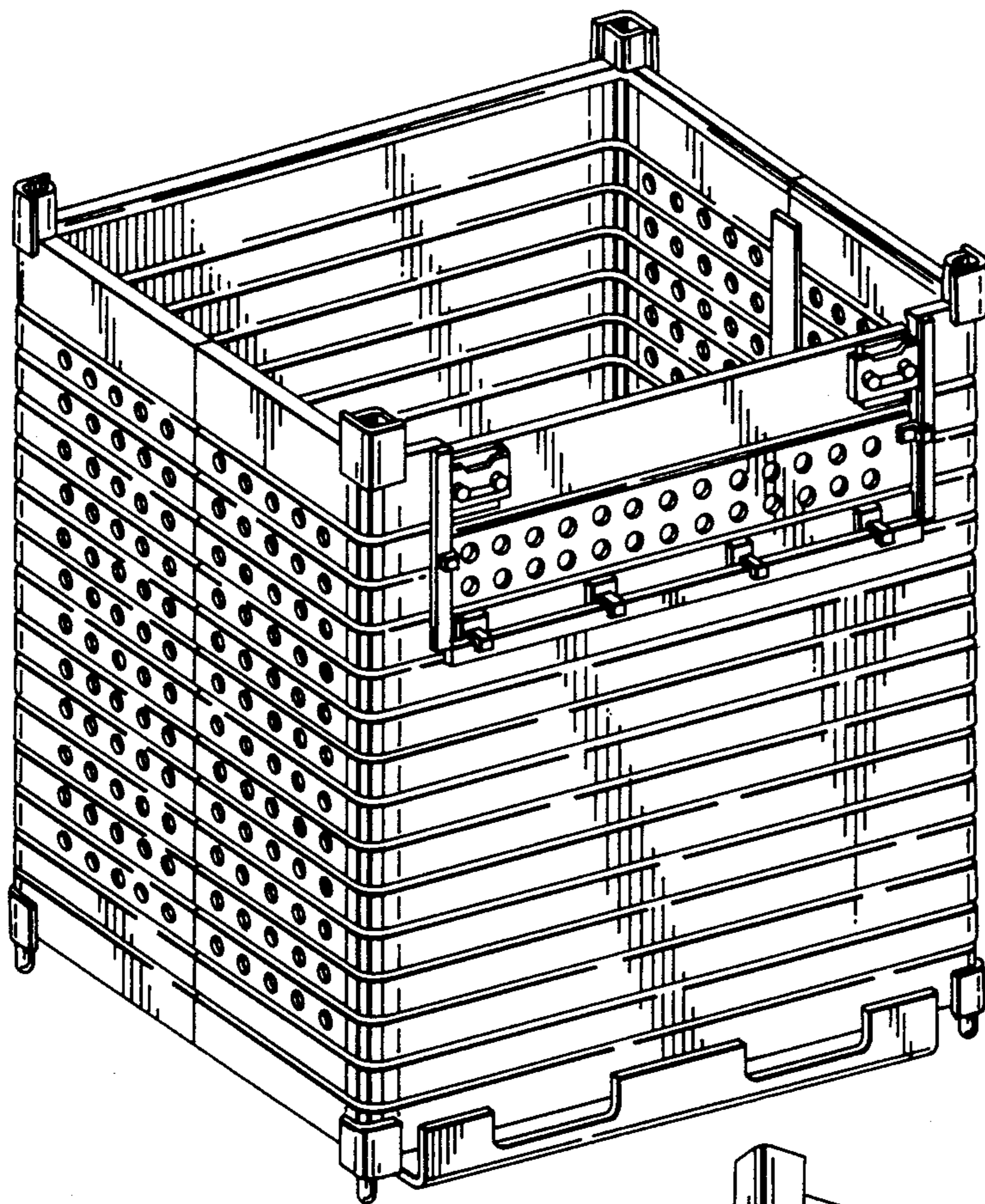


FIG. 1

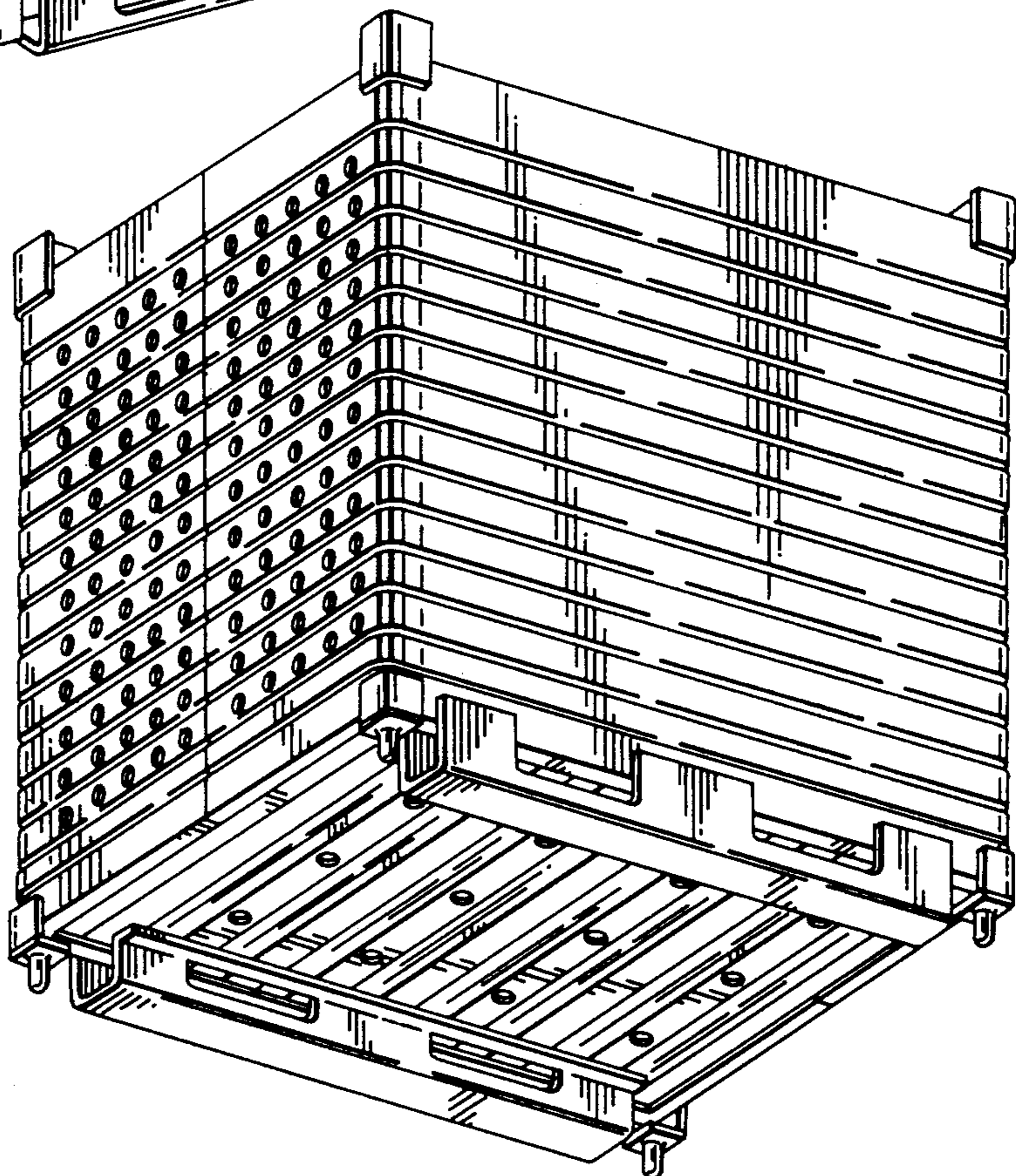


FIG. 2

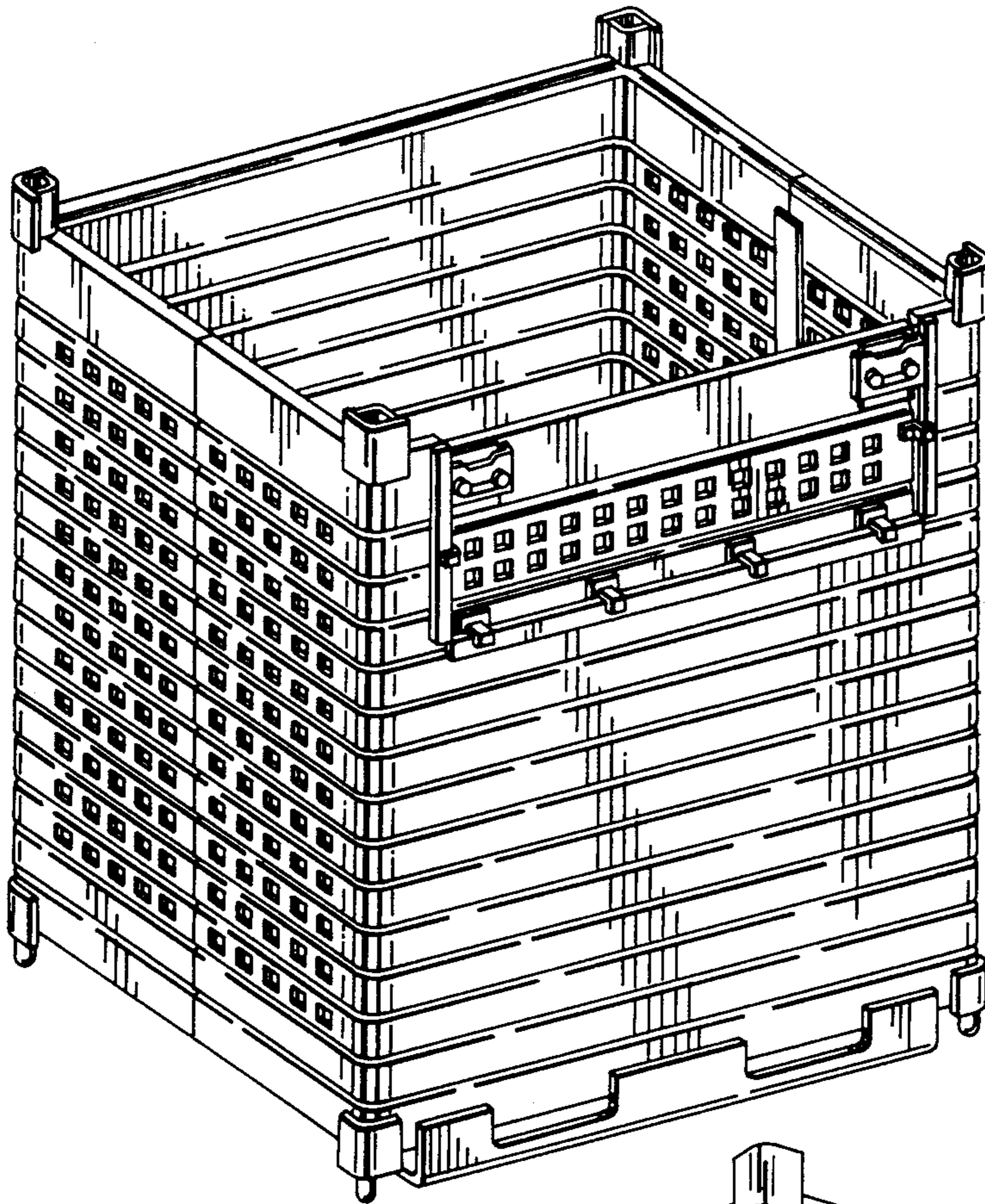


FIG. 3

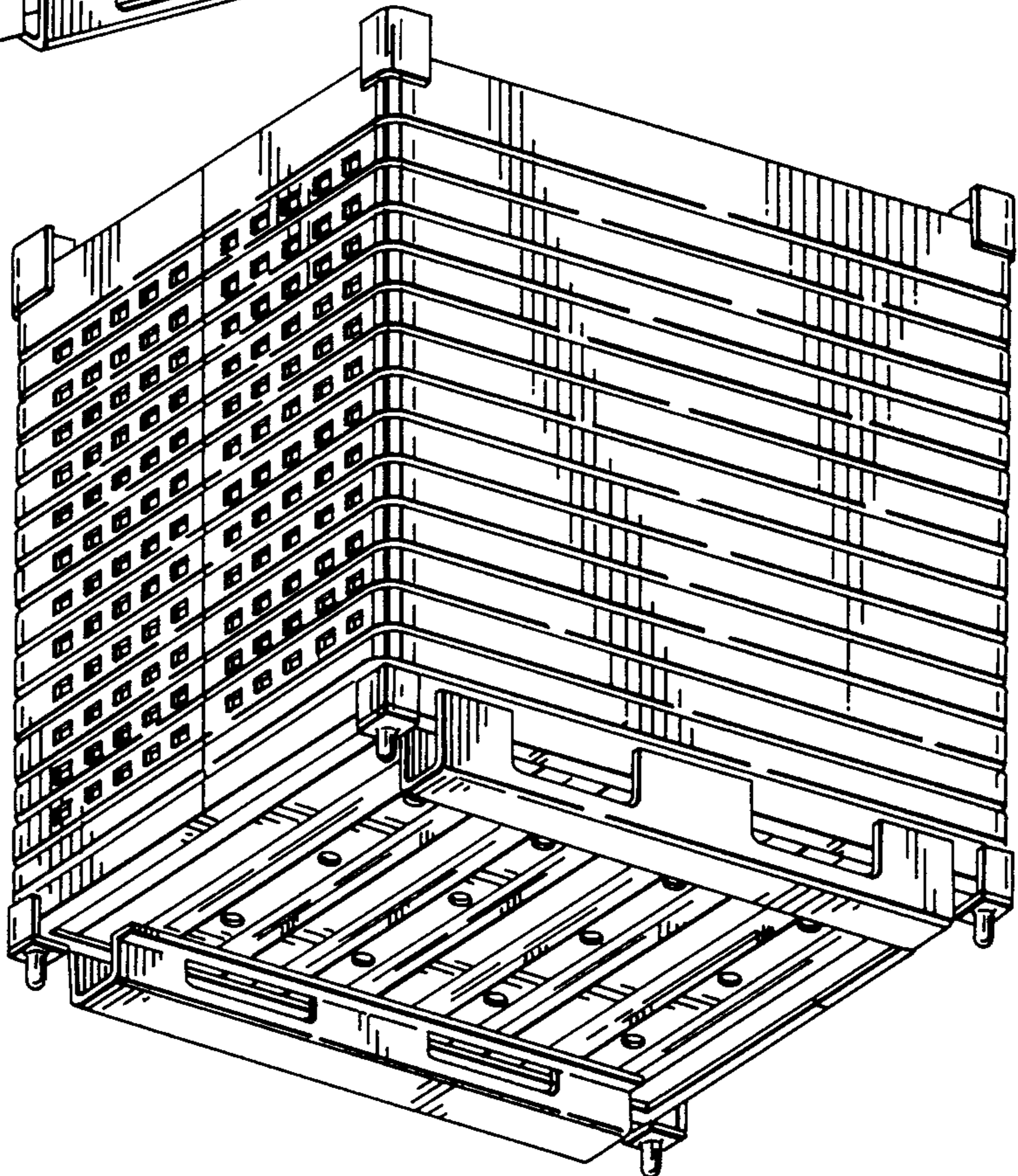


FIG. 4