

[54] **DISPENSING CONTAINER**  
 [75] **Inventor:** Hans-Peter Aeschlimann, Dielheim, Germany  
 [73] **Assignee:** Dr. Molter GmbH, Heidelberg, Germany  
 [\*\*] **Term:** 14 Years  
 [21] **Appl. No.:** 610,508  
 [22] **Filed:** Sept. 3, 1975  
 [51] **Int. Cl.** ..... D9-01  
 [52] **U.S. Cl.** ..... D9/3  
 [58] **Field of Search** ..... D9/8, 3, 4, 119, 131, D9/158, 169, 275, 276, 291, 60-83; D23/17, 18

D. 199,109 9/1964 Osborne ..... D9/3  
 D. 200,961 4/1967 Beinert ..... D23/18  
 D. 201,060 5/1965 Polukoff ..... D23/18  
 D. 205,223 7/1966 Bouillard et al. .... D23/18  
 D. 238,655 2/1976 McKinney ..... D9/63

*Primary Examiner*—Robert C. Spangler  
*Attorney, Agent, or Firm*—Charles A. Harris

[56] **References Cited**  
 U.S. PATENT DOCUMENTS  
 2,895,651 7/1959 Mahon et al. .... D23/18 X  
 D. 79,006 7/1929 Aronson ..... D9/3

[57] **CLAIM**  
 The ornamental design for a dispensing container, as shown.

**DESCRIPTION**  
 FIG. 1 is a perspective view of a dispensing container showing my new design;  
 FIG. 2 is a top plan view;  
 FIG. 3 is a bottom plan view;  
 FIG. 4 is an elevational view looking from the left of FIG. 2; and  
 FIG. 5 is an elevational view looking from the right of FIG. 2.

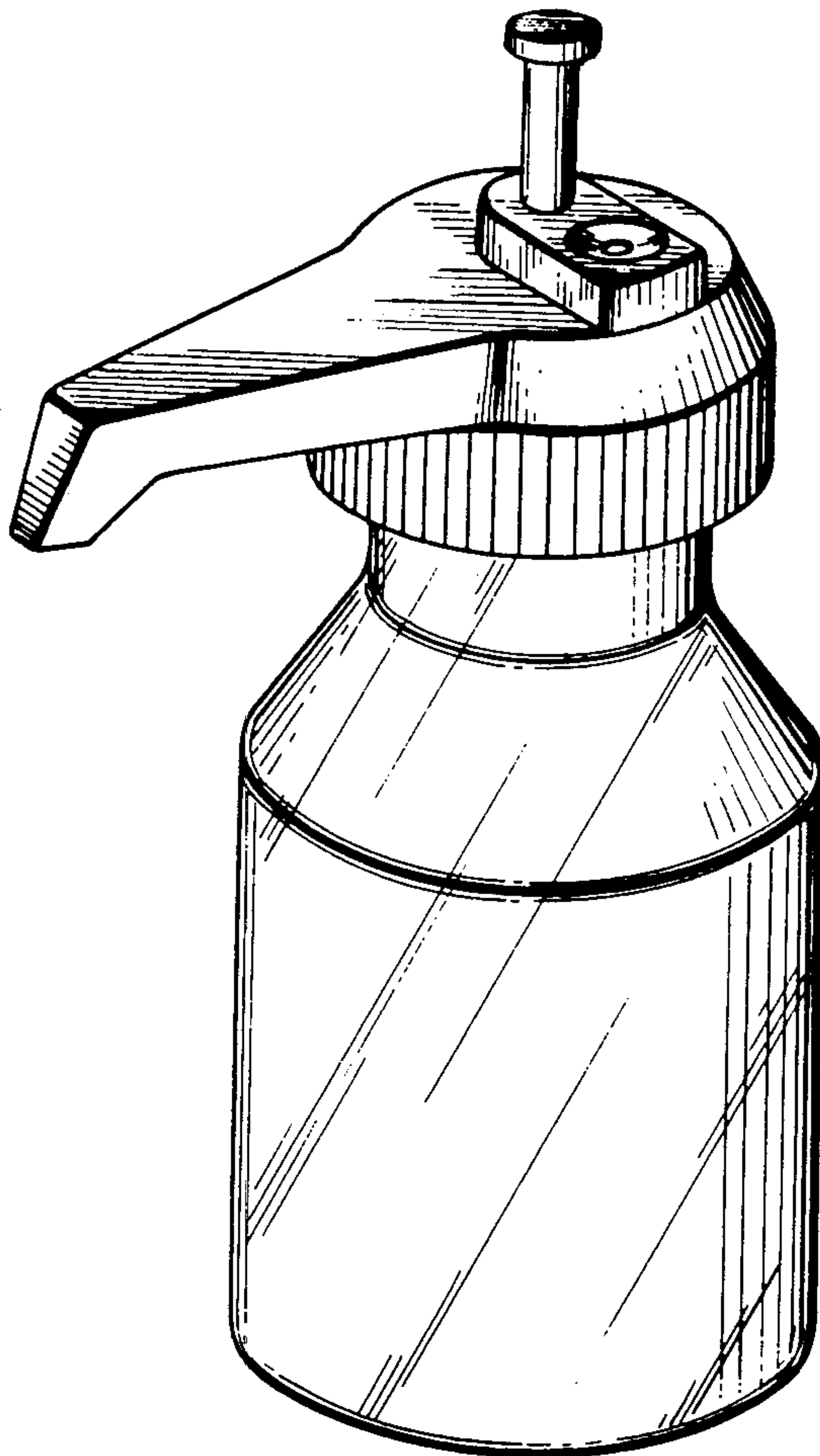


Fig. 2.

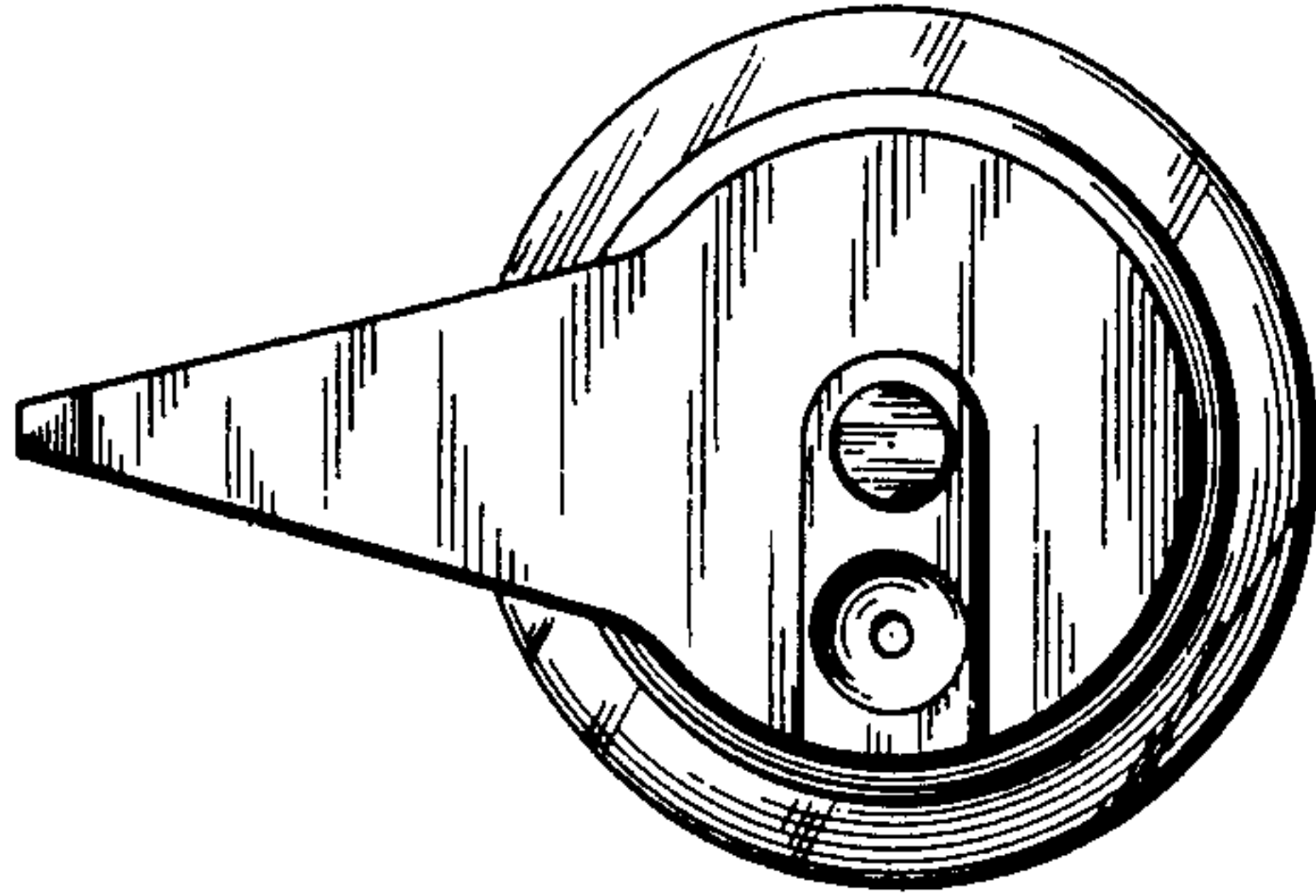


Fig. 4.

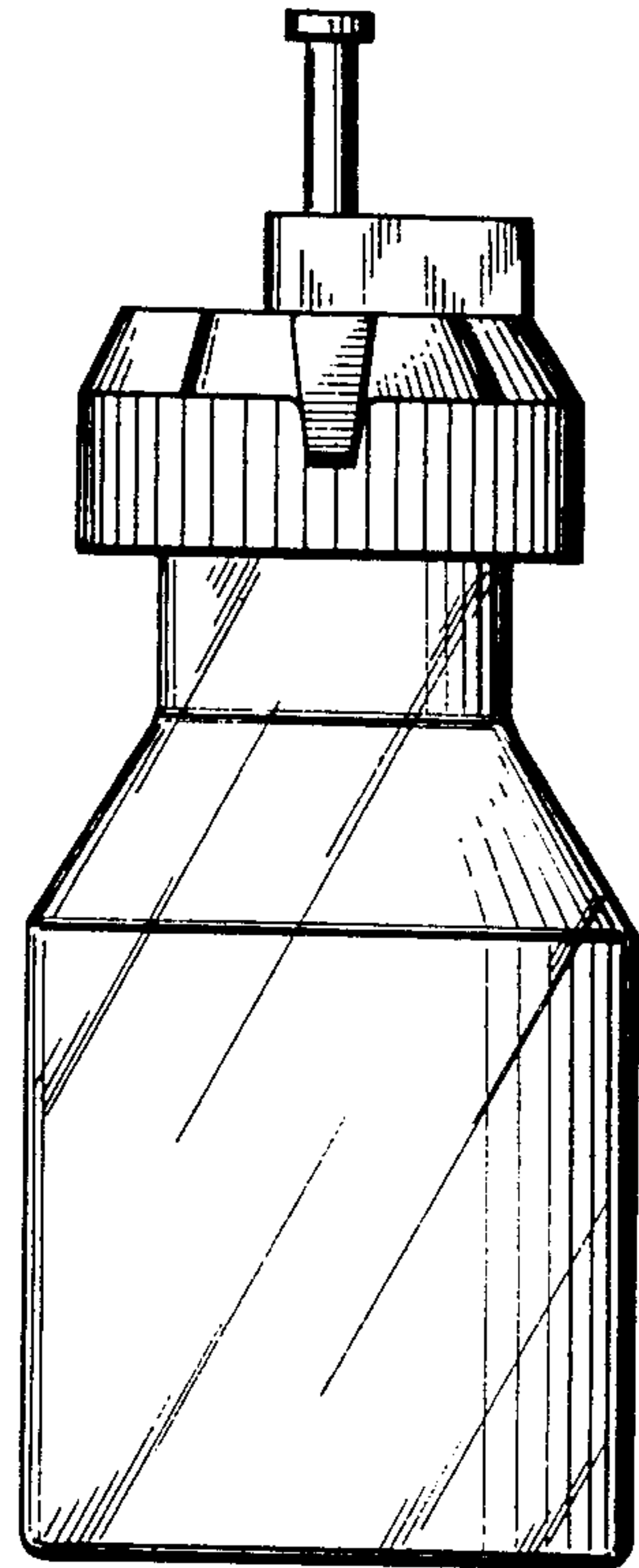


Fig. 1.

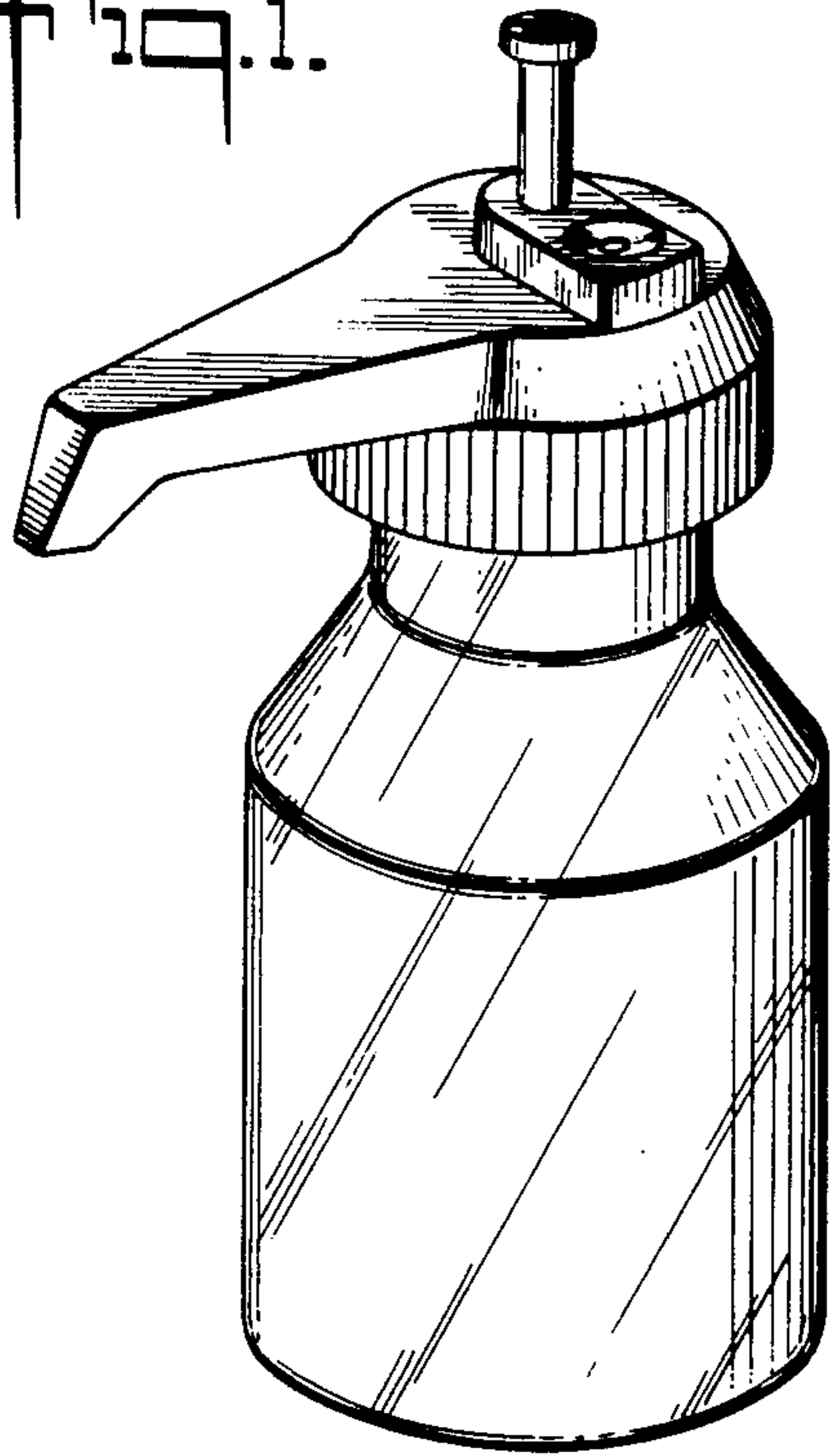


Fig. 5.

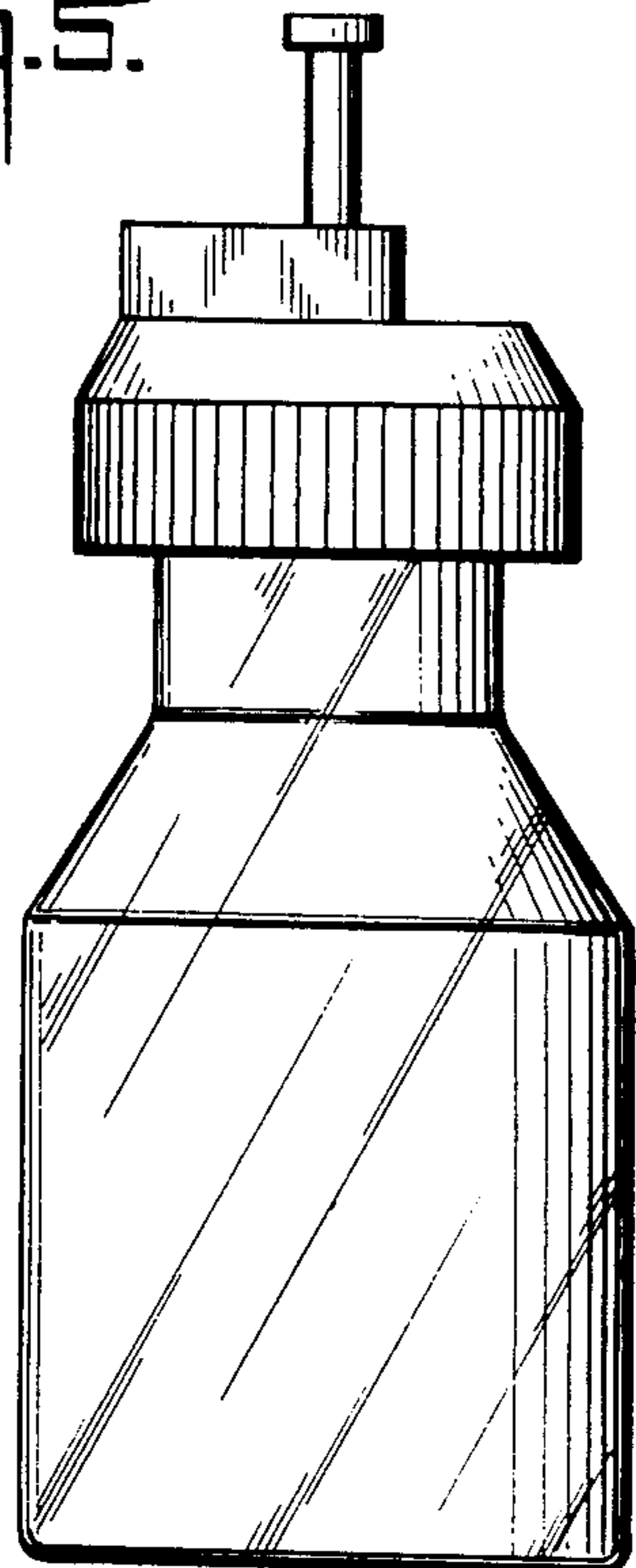


Fig. 3.

