

- [54] **KNIFE CADDY**
- [75] Inventor: **Earl Baxter**, Fremont, Ohio
- [73] Assignee: **The Scott & Fetzer Company**,
Fremont, Ohio
- [**] Term: **14 Years**
- [21] Appl. No.: **632,638**
- [22] Filed: **Nov. 17, 1975**
- [51] Int. Cl. **D7-06**
- [52] U.S. Cl. **D7/74**
- [58] Field of Search **D7/74, 73, 2, 4;**
248/37.3; D6/188, 186, 189, 19, 23; 211/70

- D. 109,757 5/1938 Rackmales **D7/74 X**
- D. 199,860 12/1964 Van Antwerp **D7/73**

OTHER PUBLICATIONS

Tableware International, Mar. 1975, p. 27, left panel showing cutlery on carousel holder, Viners Ltd.

Primary Examiner—Winifred E. Herrmann
Attorney, Agent, or Firm—Harold F. McNenny

CLAIM

[57] The ornamental design for a knife caddy, as shown.

DESCRIPTION

FIG. 1 is a front elevational view of a knife caddy showing my new design;
FIG. 2 is a top plan view.
FIG. 3 is a rear elevational view.
FIG. 4 is a left side elevational view of FIG. 1;
FIG. 5 is a right side elevational view of FIG. 1.

[56] **References Cited**

U.S. PATENT DOCUMENTS

- 228,998 6/1880 Johnston 211/70
- 712,428 10/1902 Whitcomb 211/70 X
- D. 25,319 3/1896 Young **D7/74**

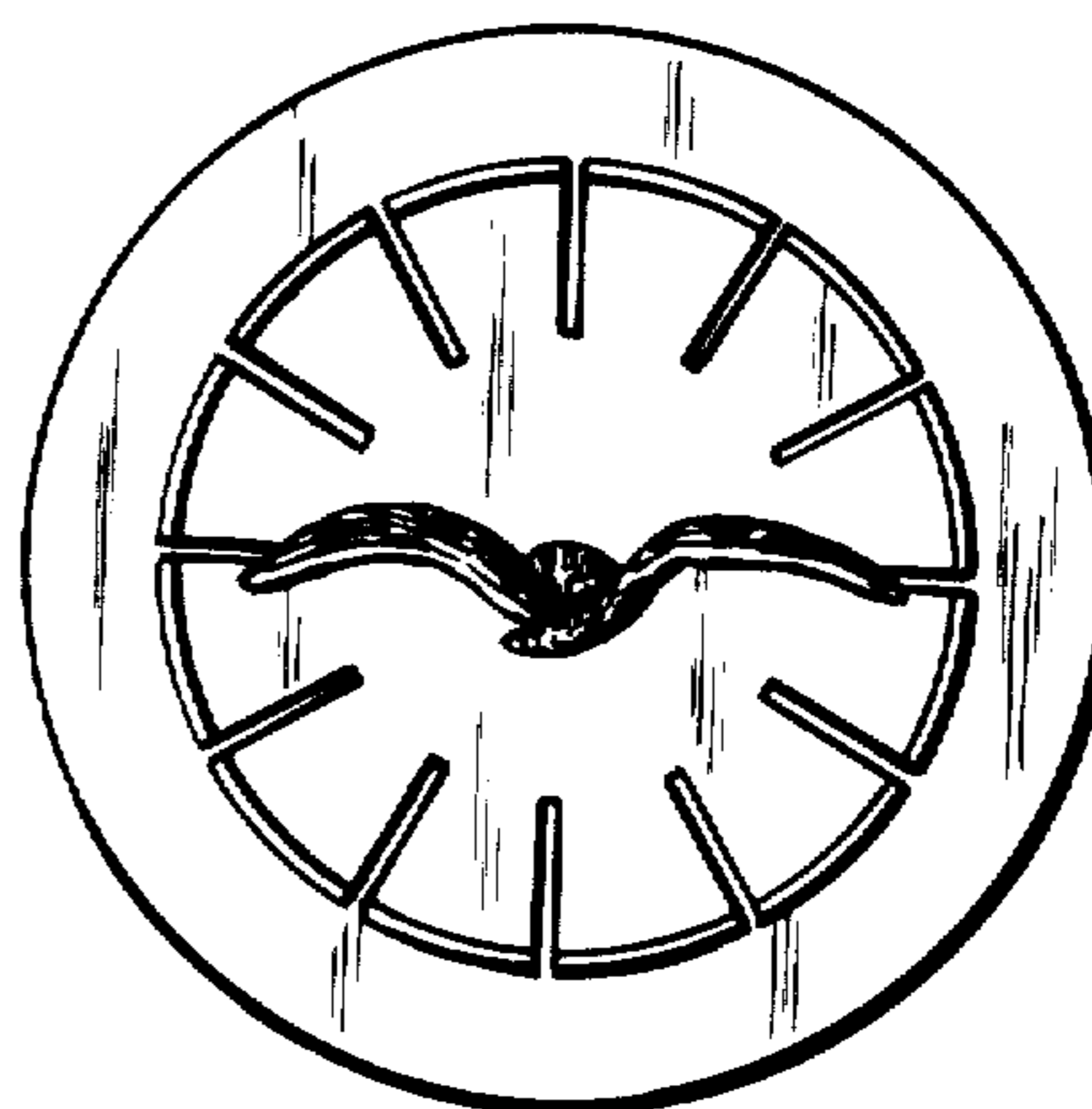
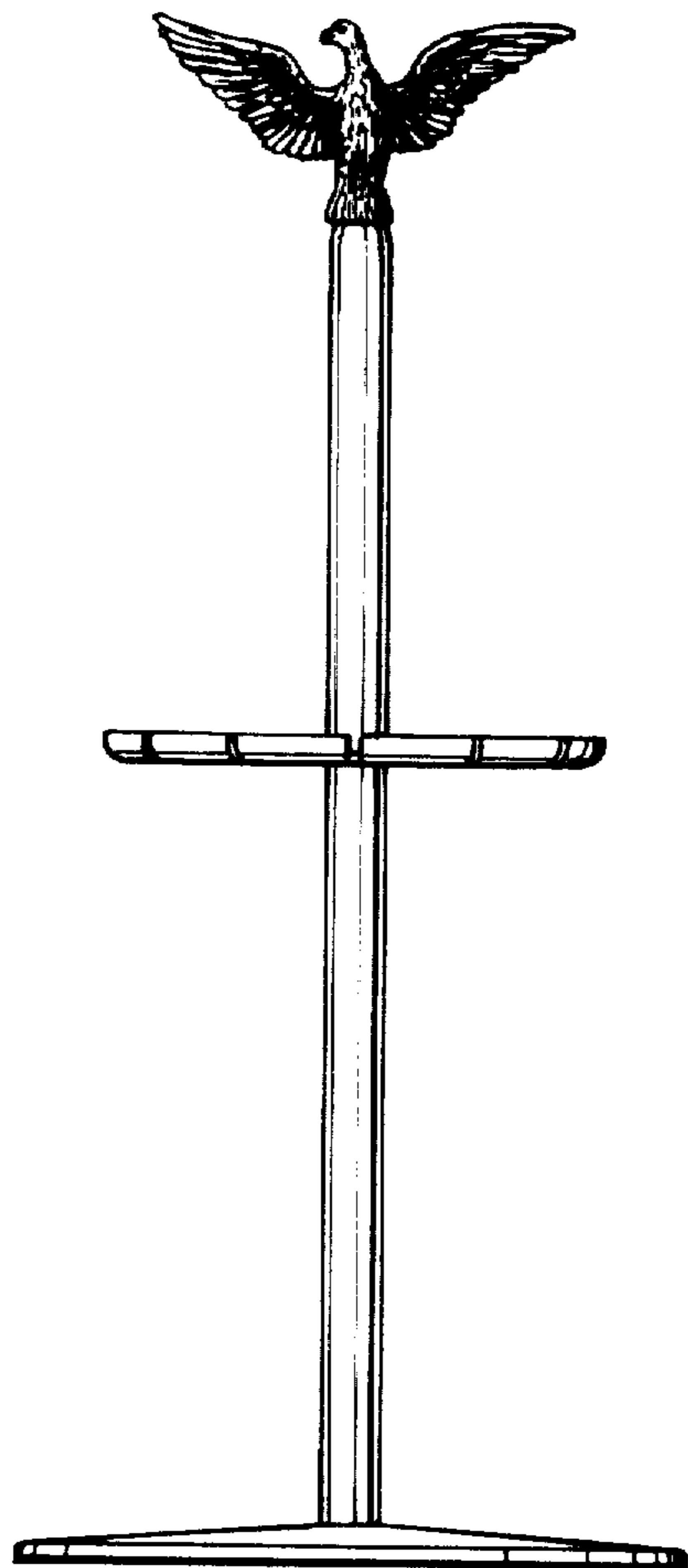


Fig. 2

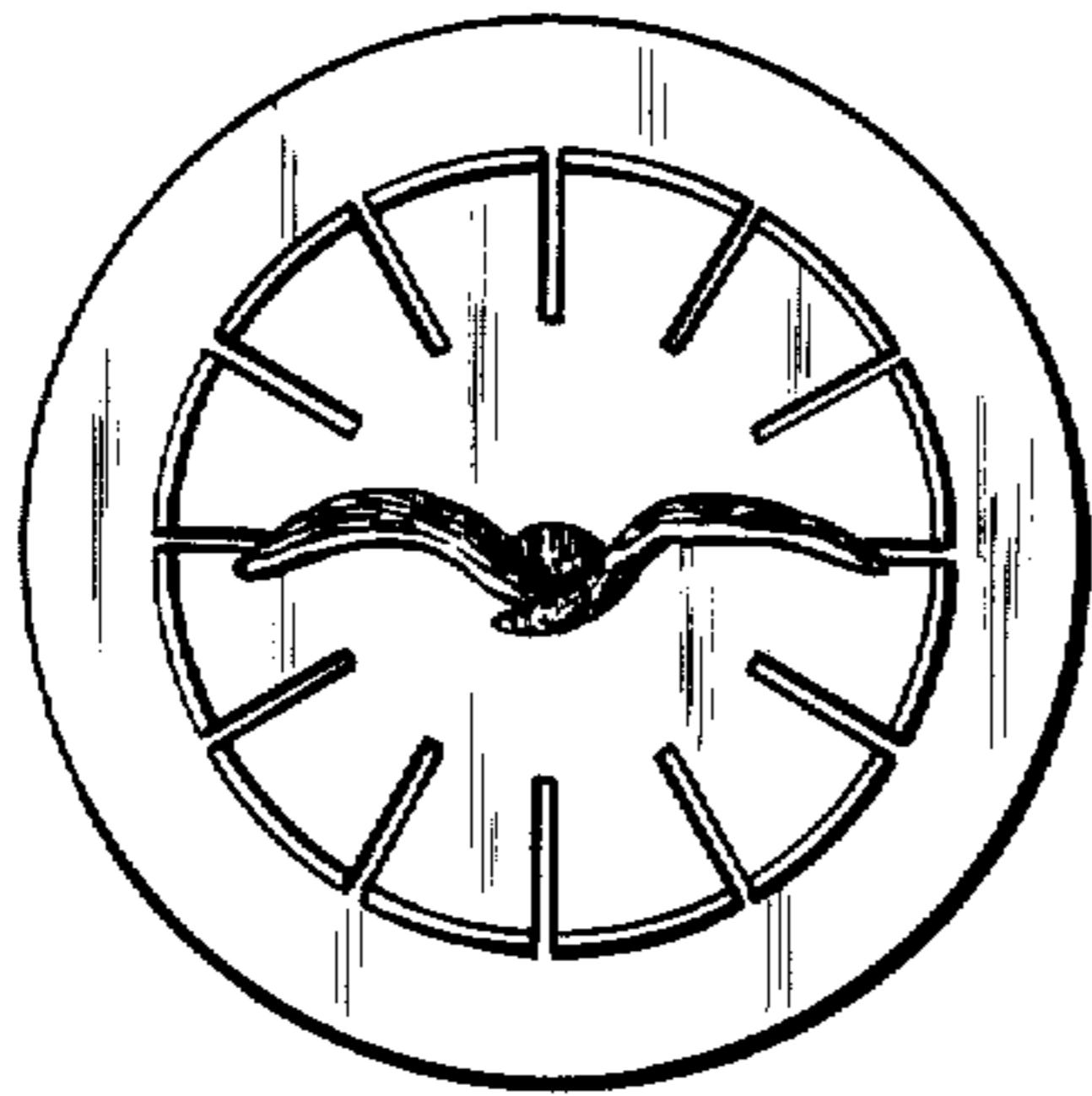


Fig. 3

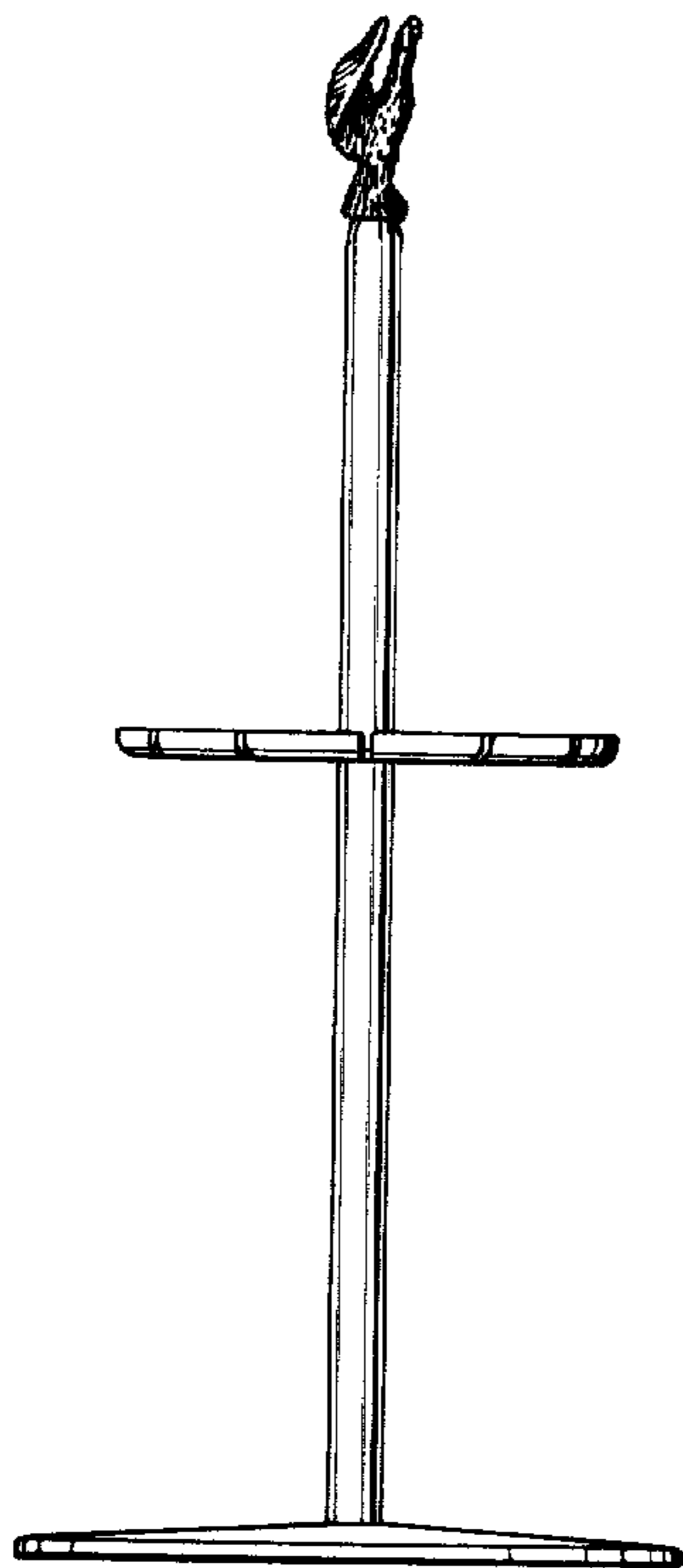
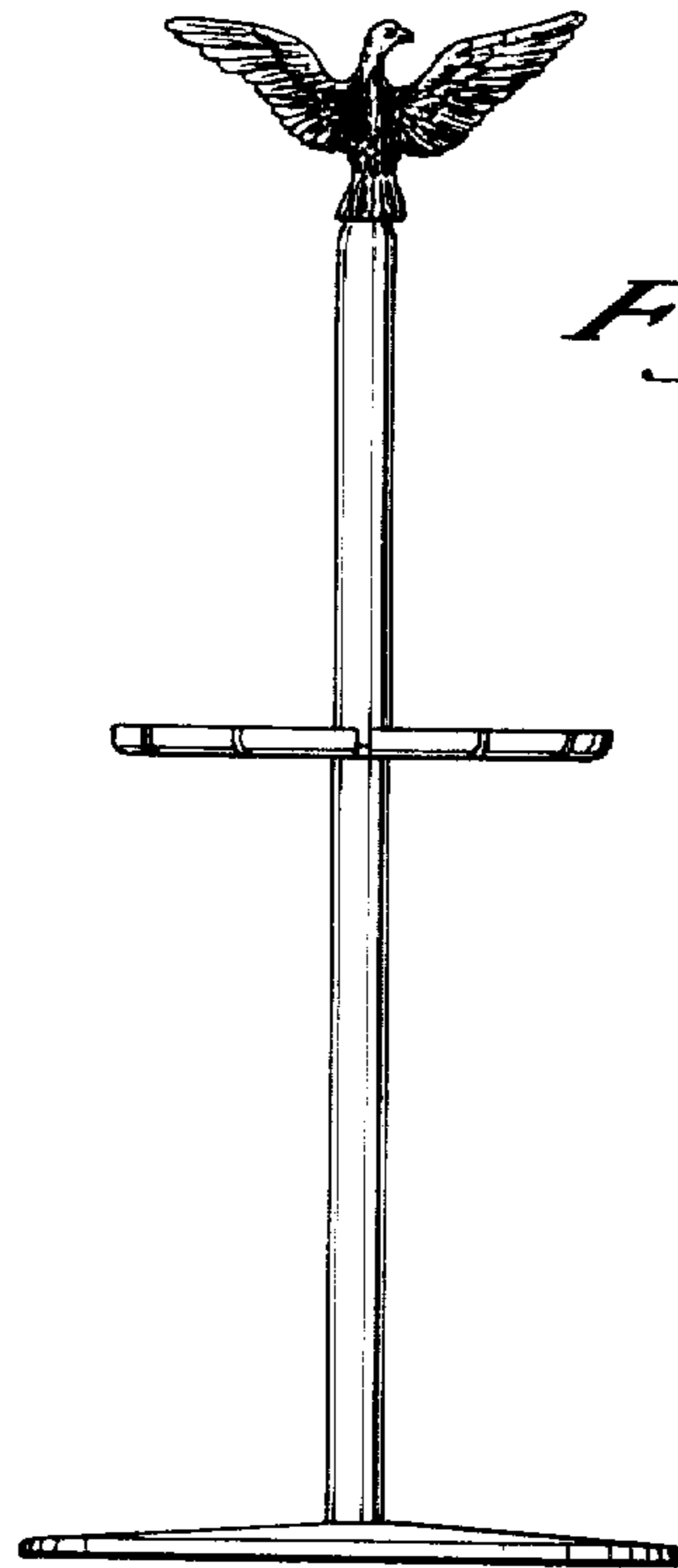


Fig. 4

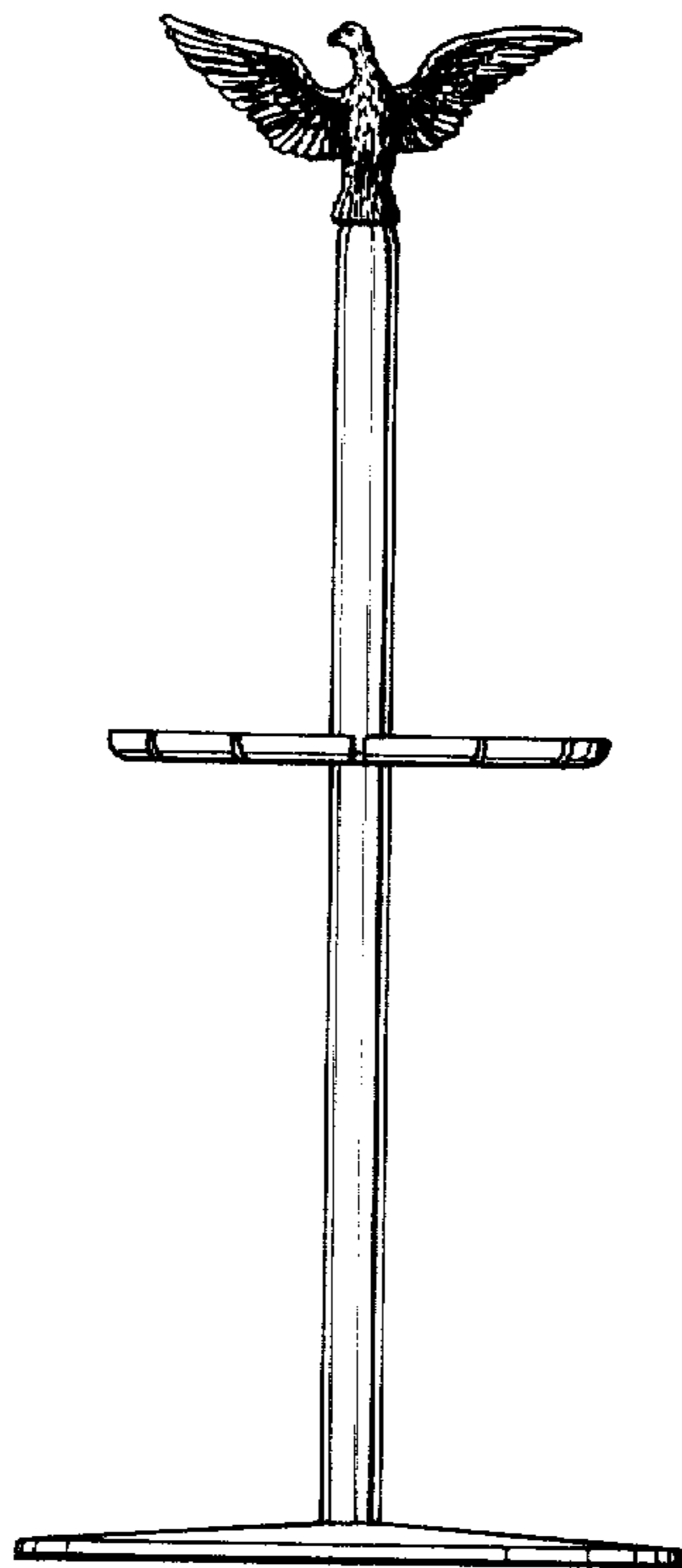


Fig. 1

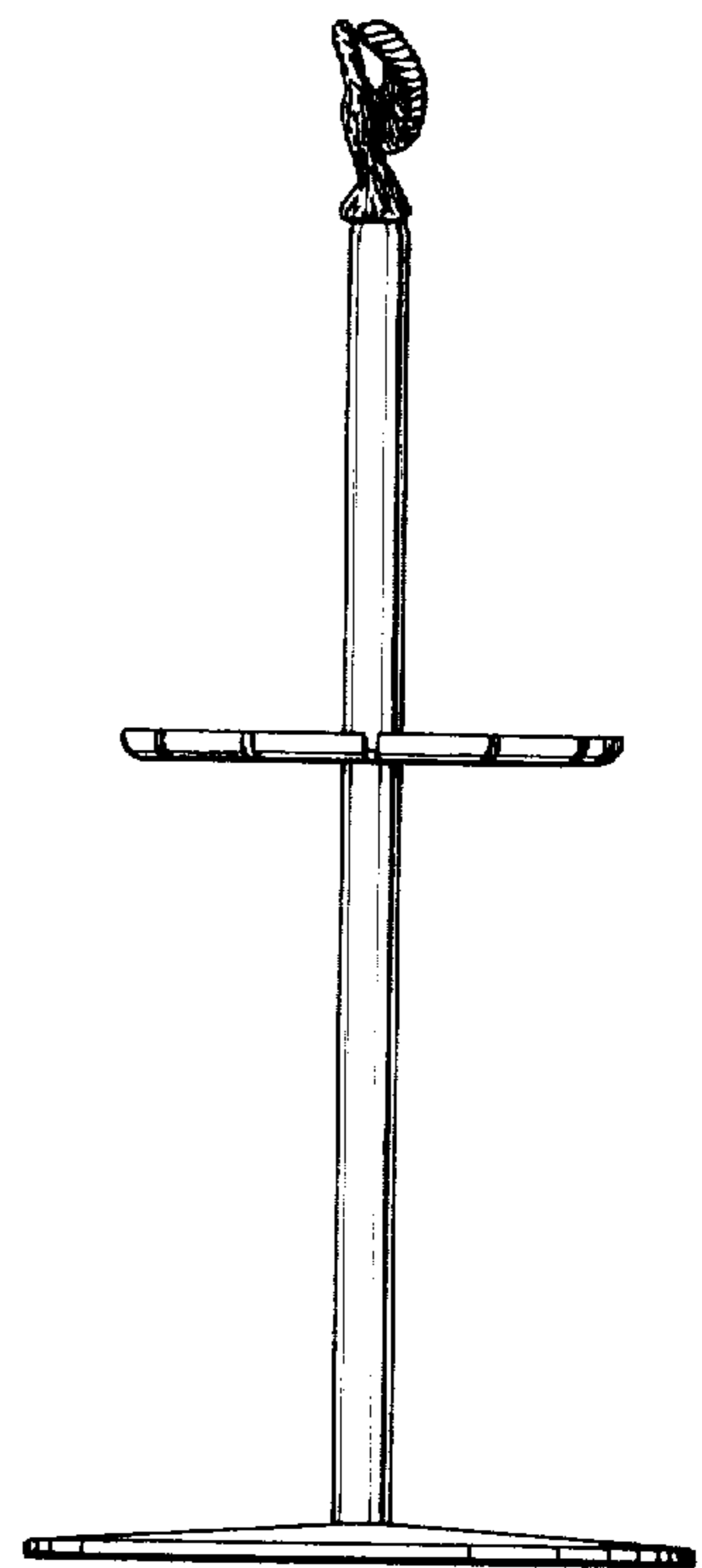


Fig. 5