

[54] **PICTURE FRAME AND EASEL**
 [76] Inventor: **Cole Williams**, 2408 Allanjay Place,
 Glendale, Calif. 91208
 [**] Term: **14 Years**
 [21] Appl. No.: **541,607**
 [22] Filed: **Jan. 16, 1975**
 [51] Int. Cl. **D6-07**
 [52] U.S. Cl. **D6/236**
 [58] Field of Search **D6/232-246;**
D13/6; D29/22, 23 A, 23 R; 40/152-152.1,
154-155, 157, 158 A

2,514,047 7/1950 Goforth D6/242
 2,805,504 9/1957 Stein D6/242

Primary Examiner—Joel Stearman
Assistant Examiner—C. A. Rademaker
Attorney, Agent, or Firm—R. Welton Whann

[57] **CLAIM**

The ornamental design for a picture frame and easel, as shown and described.

DESCRIPTION

FIG. 1 is a perspective view of a picture frame showing my new design;
 FIG. 2 is a rear elevational view thereof shown on an enlarged scale; and
 FIG. 3 is a side elevational view thereof.

[56] **References Cited**
U.S. PATENT DOCUMENTS
 1,184,079 5/1916 D'Arcy 40/152

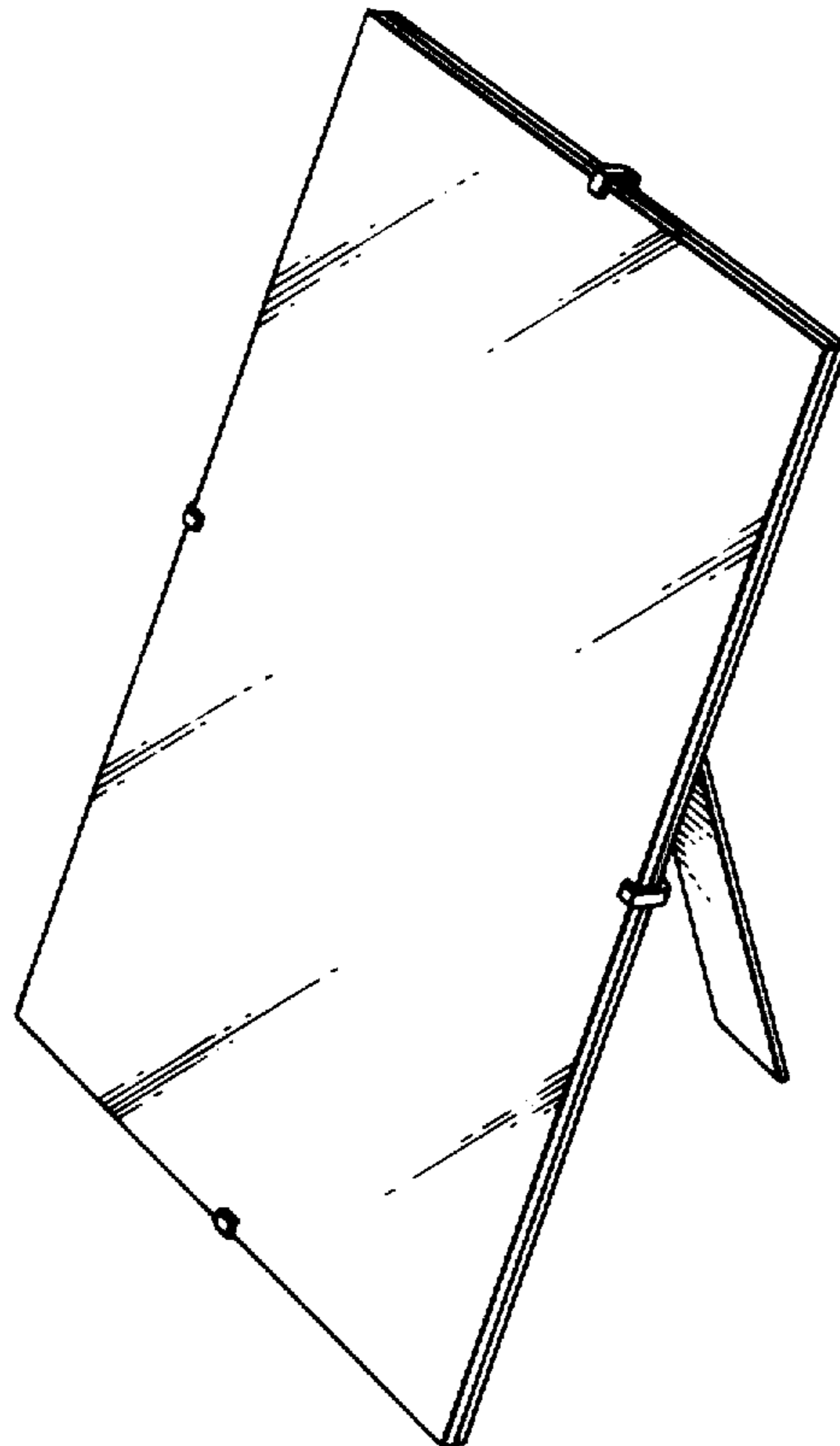


FIG. 1.

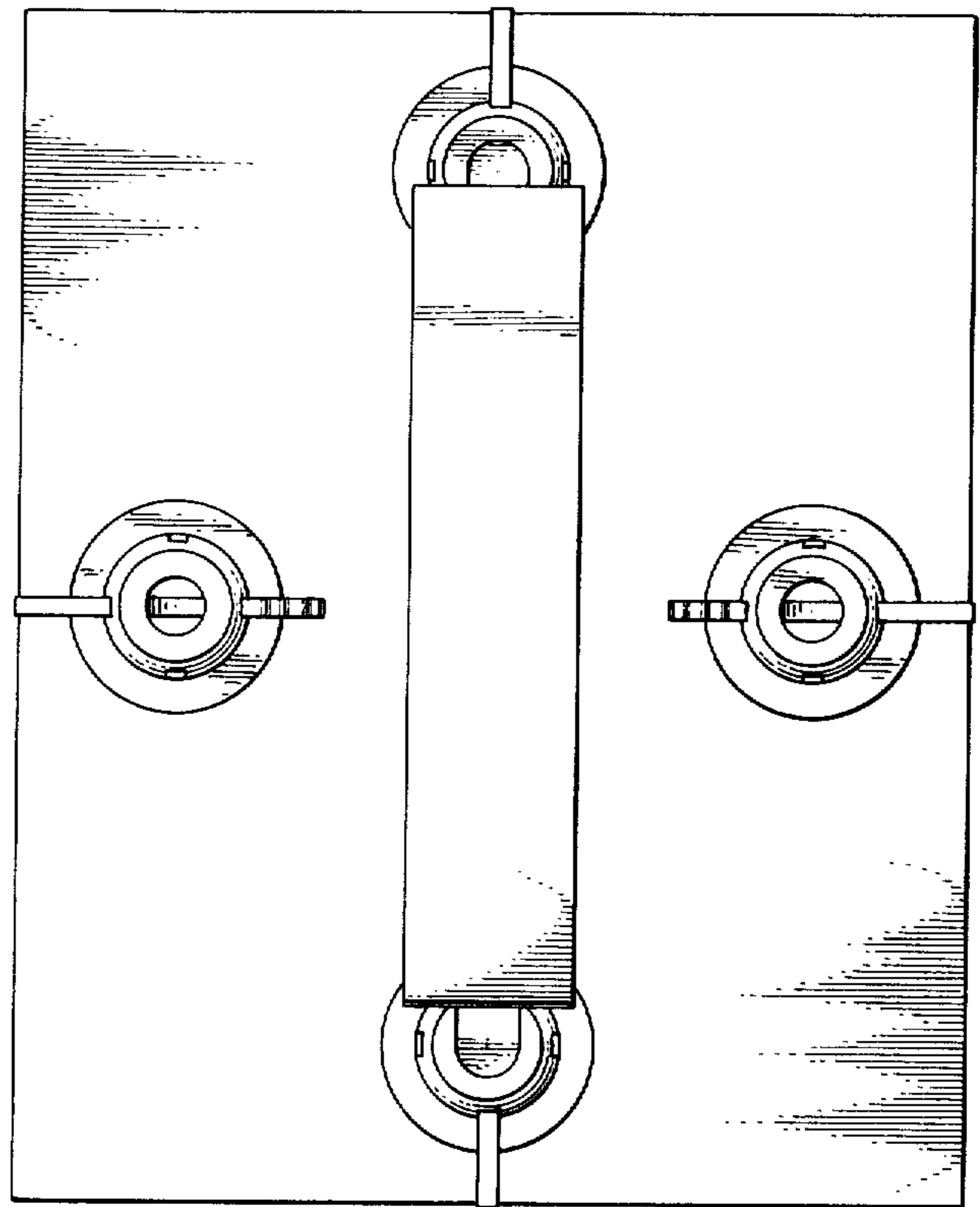
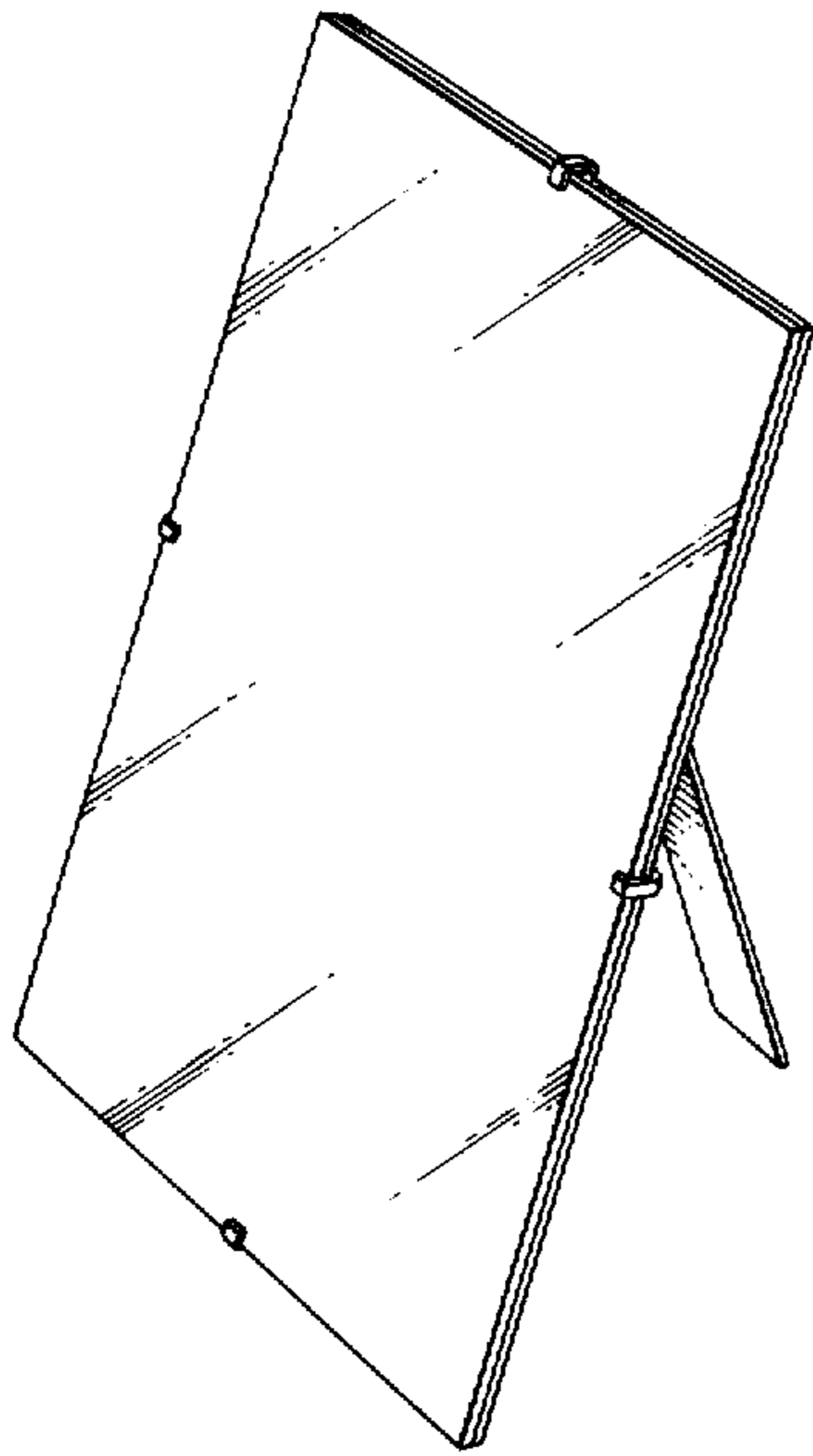


FIG. 2.

FIG. 3.

