

[54] COMBINED BRIEFCASE AND CLIPBOARD

3,909,092 9/1975 Kieman 312/235 A

[75] Inventor: Charles W. Tracy, Tallahassee, Fla.

Primary Examiner—Joel Stearman

[73] Assignee: Sargent-Sowell, Inc., Grand Prairie, Tex.

Assistant Examiner—George P. Word

Attorney, Agent, or Firm—George M. Cooper

[**] Term: 14 Years

[57] CLAIM

[21] Appl. No.: 476,003

The ornamental design for a combined briefcase and clipboard, as shown and described.

[22] Filed: June 3, 1974

[51] Int. Cl. D3-01

[52] U.S. Cl. D87/5 B

[58] Field of Search D87/1 R, 5 F, 5 G, 1 D, D87/5 B; 206/316; 150/2.6, 52 R; D5/154; D19/88; 190/48; 312/235 R, 245, 235 A; 224/42, 46

DESCRIPTION

FIG. 1 is a rear perspective view of a combined briefcase and clipboard showing my new design with the cover portion in a partially open position; FIG. 2 is a right side elevational view; FIG. 3 is a front elevational view; FIG. 4 is a left side elevational view; FIG. 5 is a rear elevational view; FIG. 6 is a top plan view; and FIG. 7 is a bottom plan view.

[56] References Cited

U.S. PATENT DOCUMENTS

2,934,391 4/1960 Bohnett 312/235 A

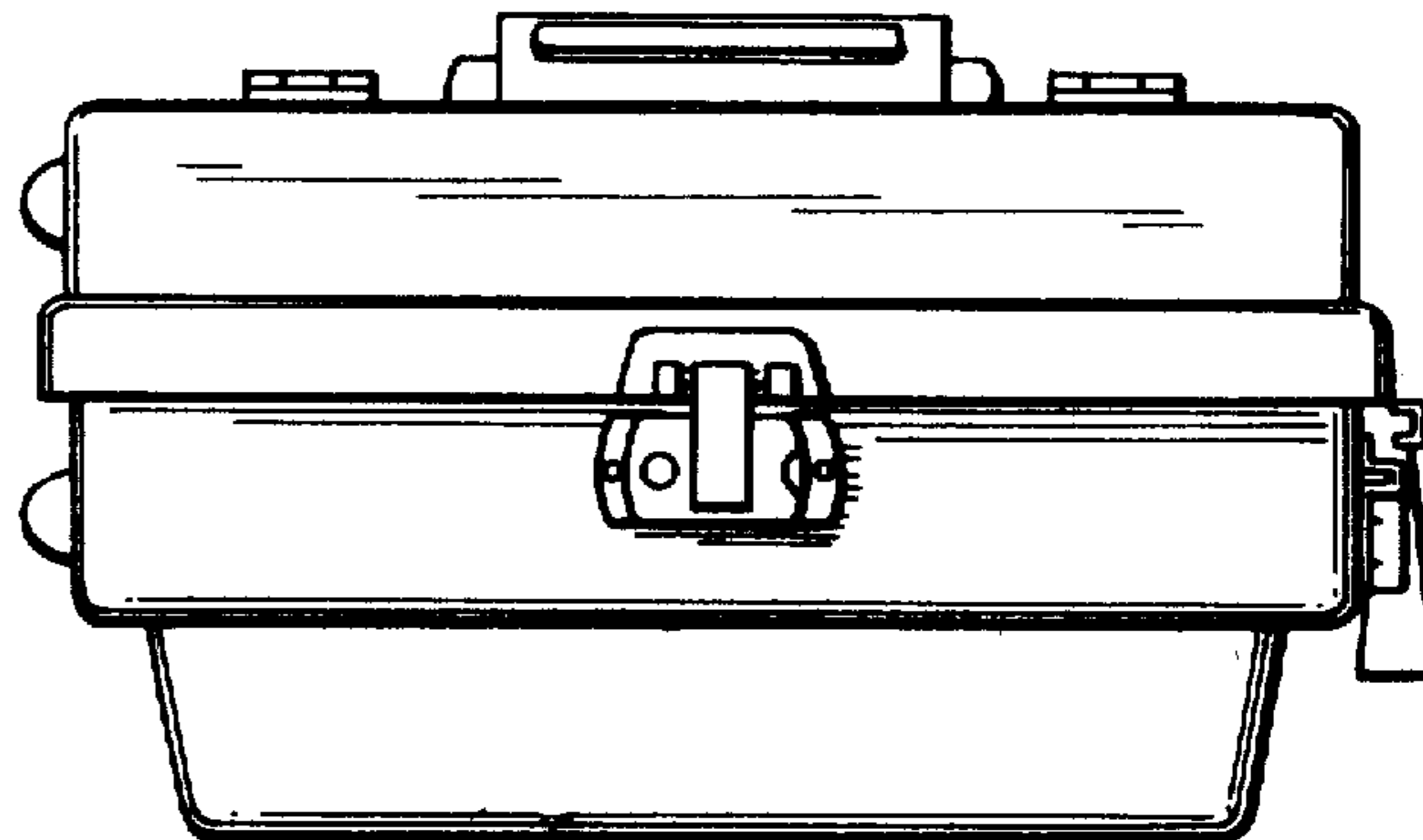
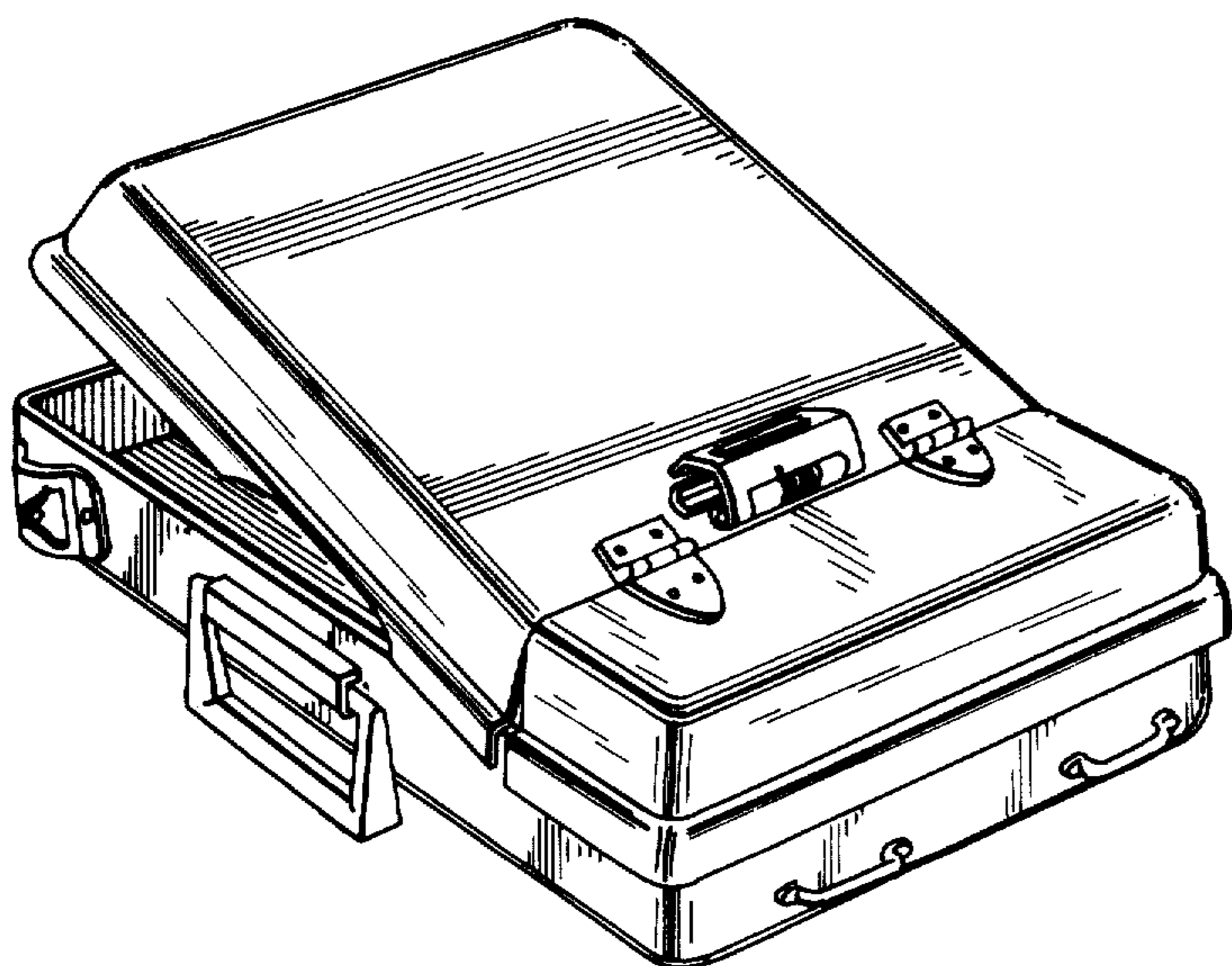


FIG. 1

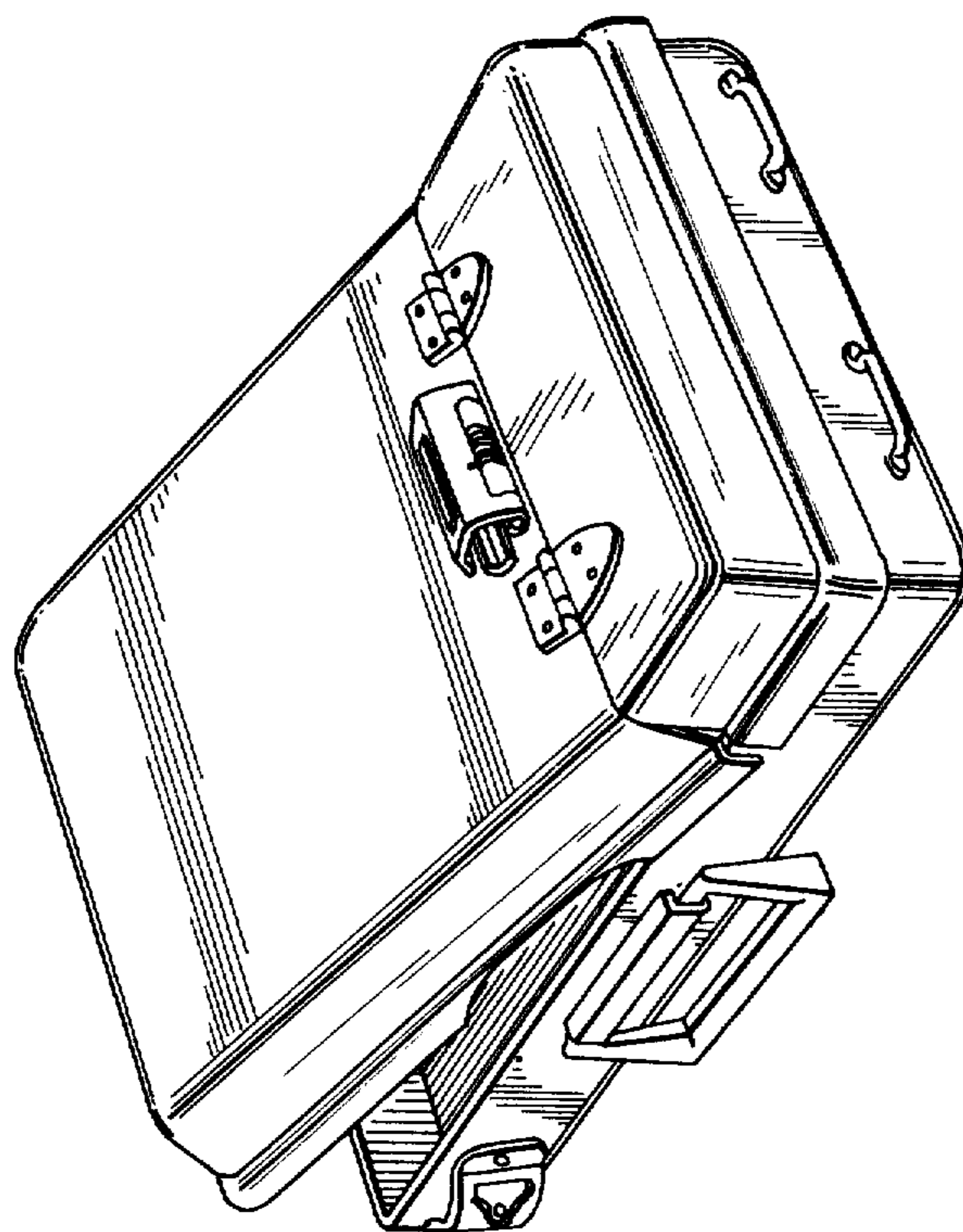


FIG. 2

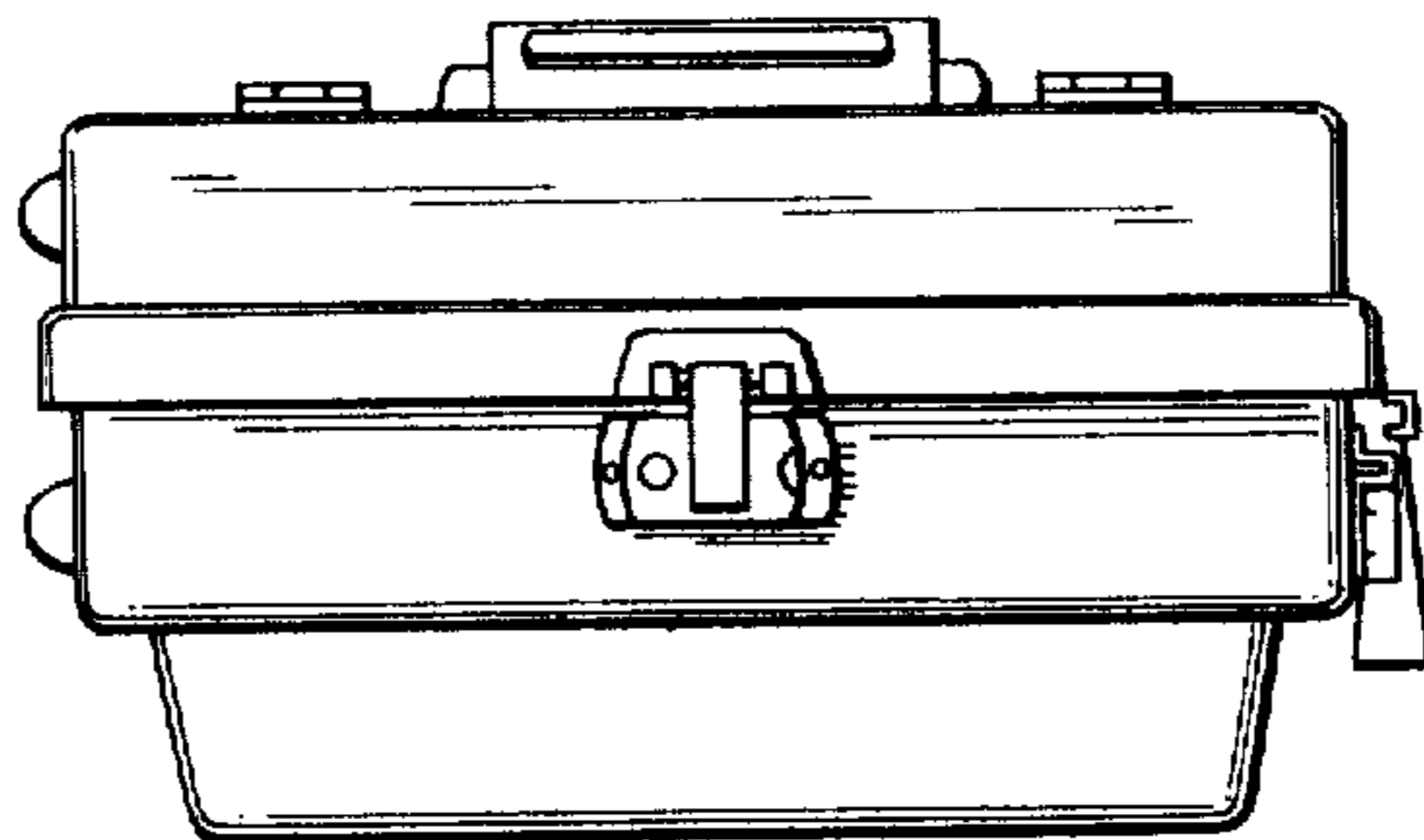
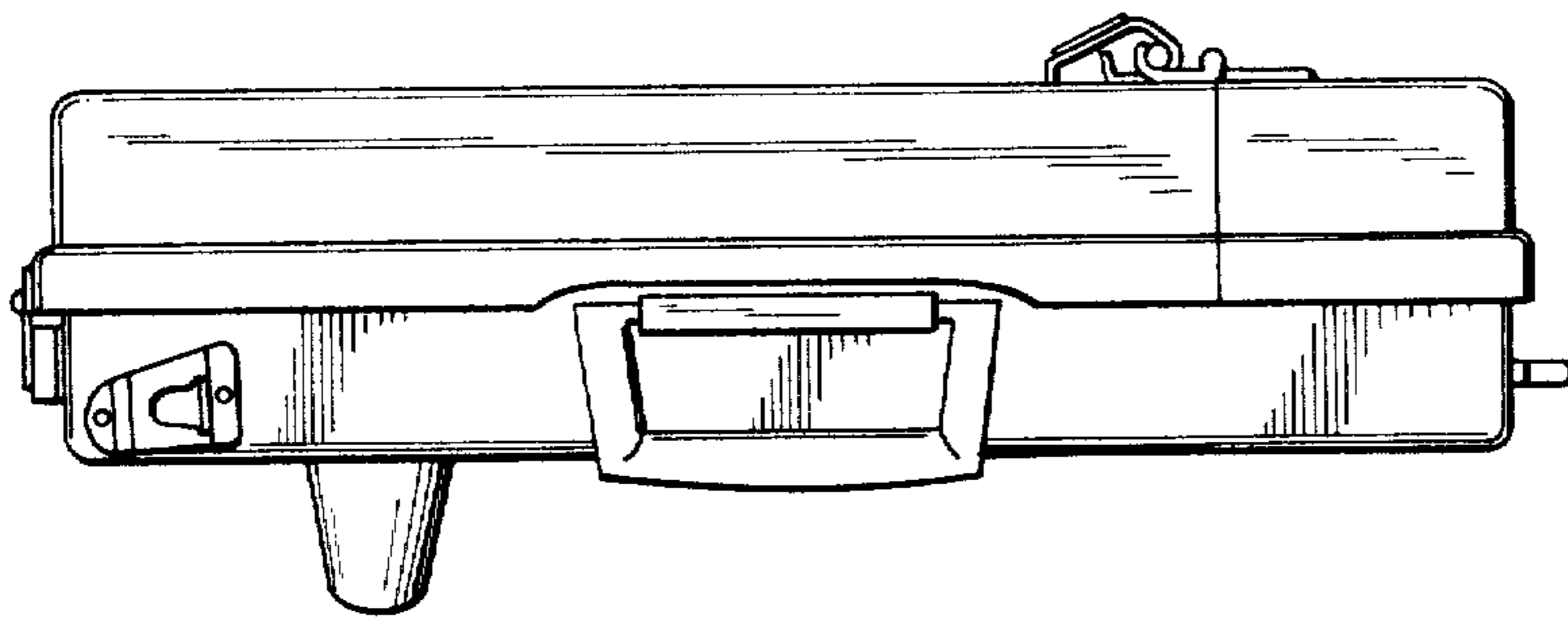


FIG. 3

FIG. 4

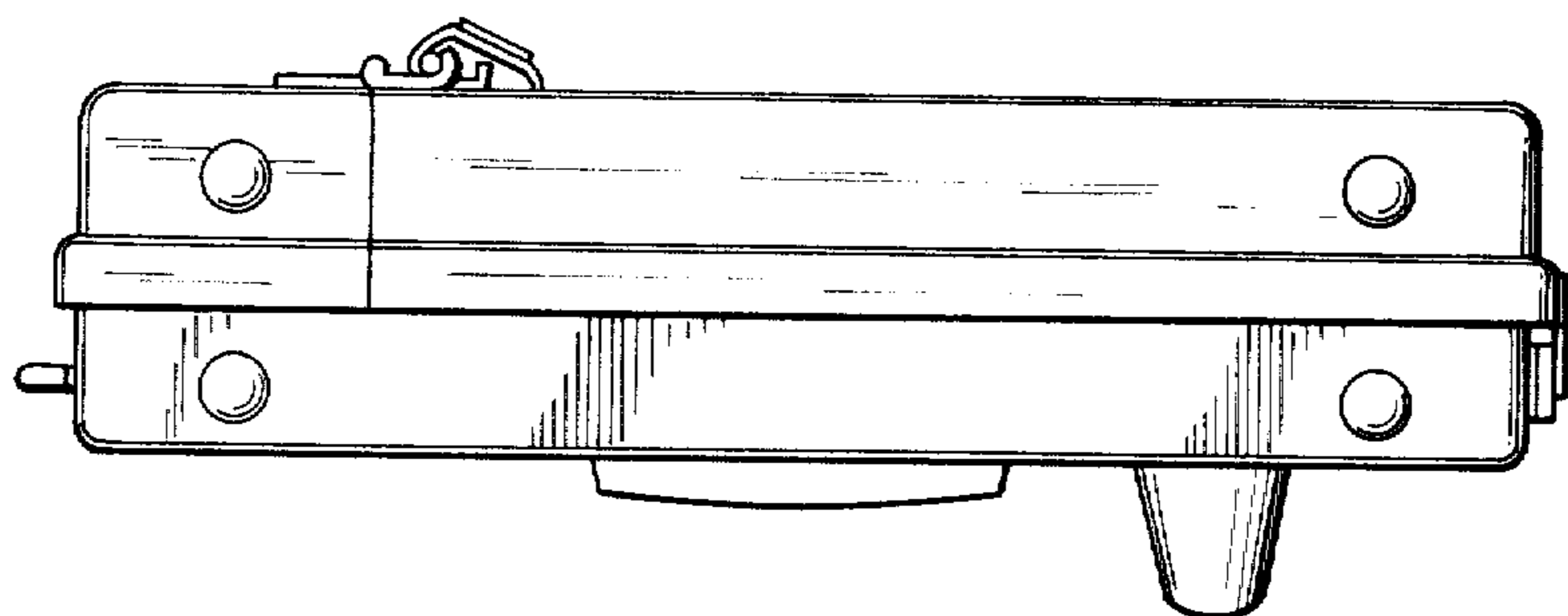


FIG. 5

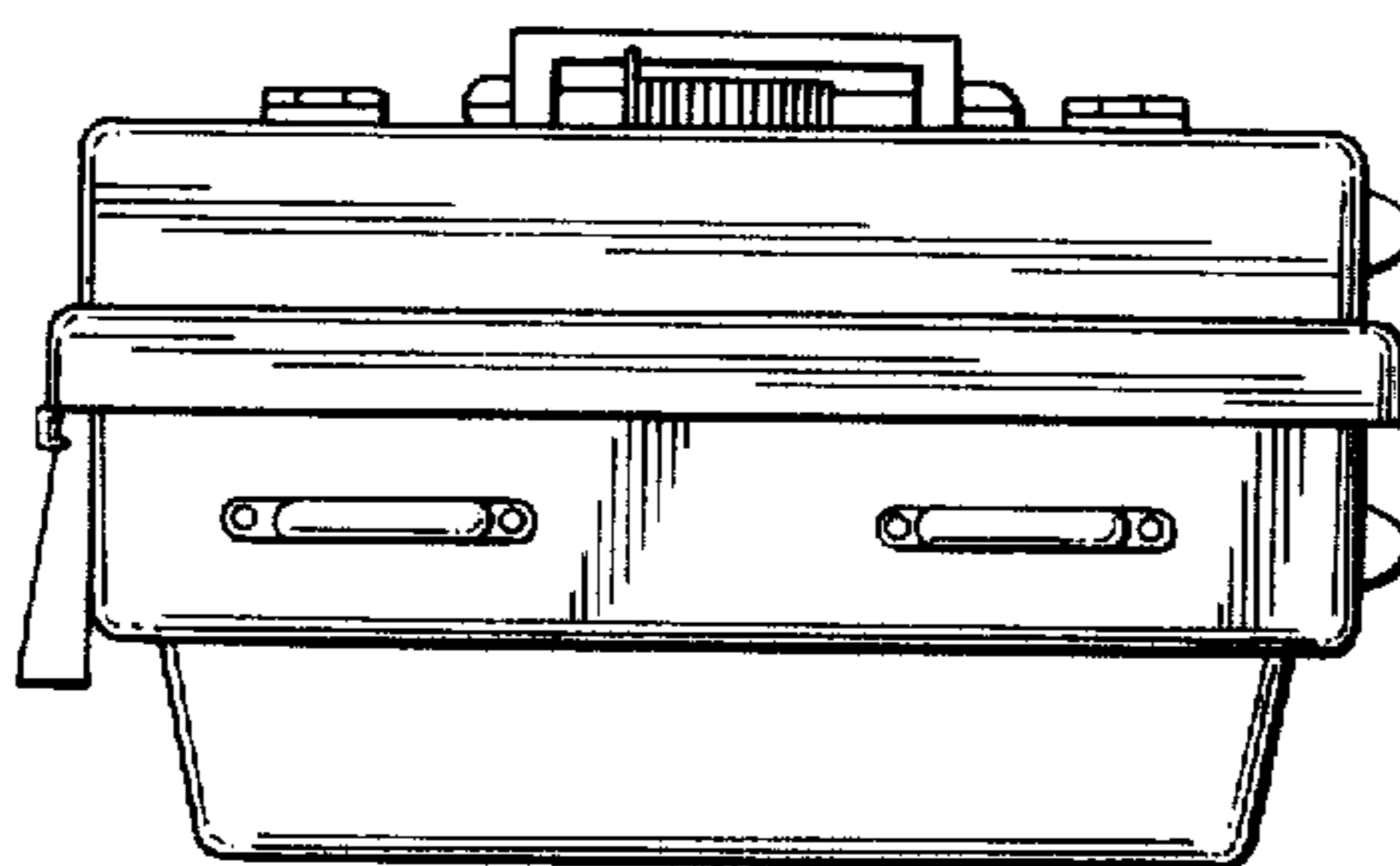


FIG. 6

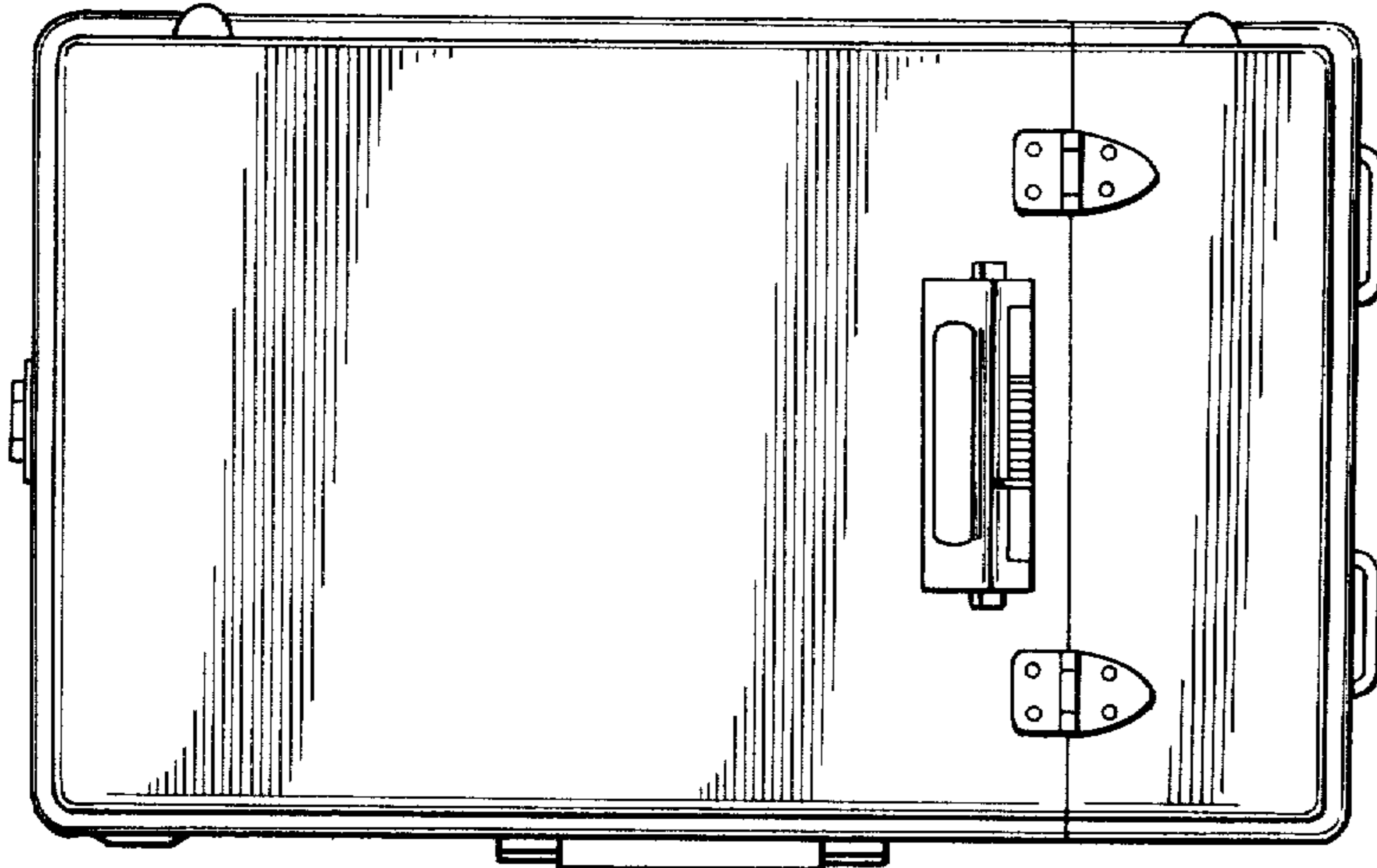


FIG. 7

