

[54] TOY AIRPLANE

[76] Inventor: Larry Pitts, 669 W. Campus Circle, Fort Lauderdale, Fla. 33312

[**] Term: 14 Years

[21] Appl. No.: 579,413

[22] Filed: May 21, 1975

[51] Int. CL D21-01

[52] U.S. CL D34/15 HH

[58] Field of Search D34/15 HH, 15 HS, 15 HR, D34/15 AF, 15 AD, 15 DP; 244/153, 153 P, 154, 155 R; 46/79, 74 D, 82, 87, 89, 93, 76 R

[56] References Cited

U.S. PATENT DOCUMENTS

2,864,613 12/1958 Porter D34/15 HH
2,917,865 12/1959 Bergstrand 46/76 R

OTHER PUBLICATIONS

American Modeler, 8-1958, p. 10, airplane.
Popular Science, 8-1952, p. 70, airplane.

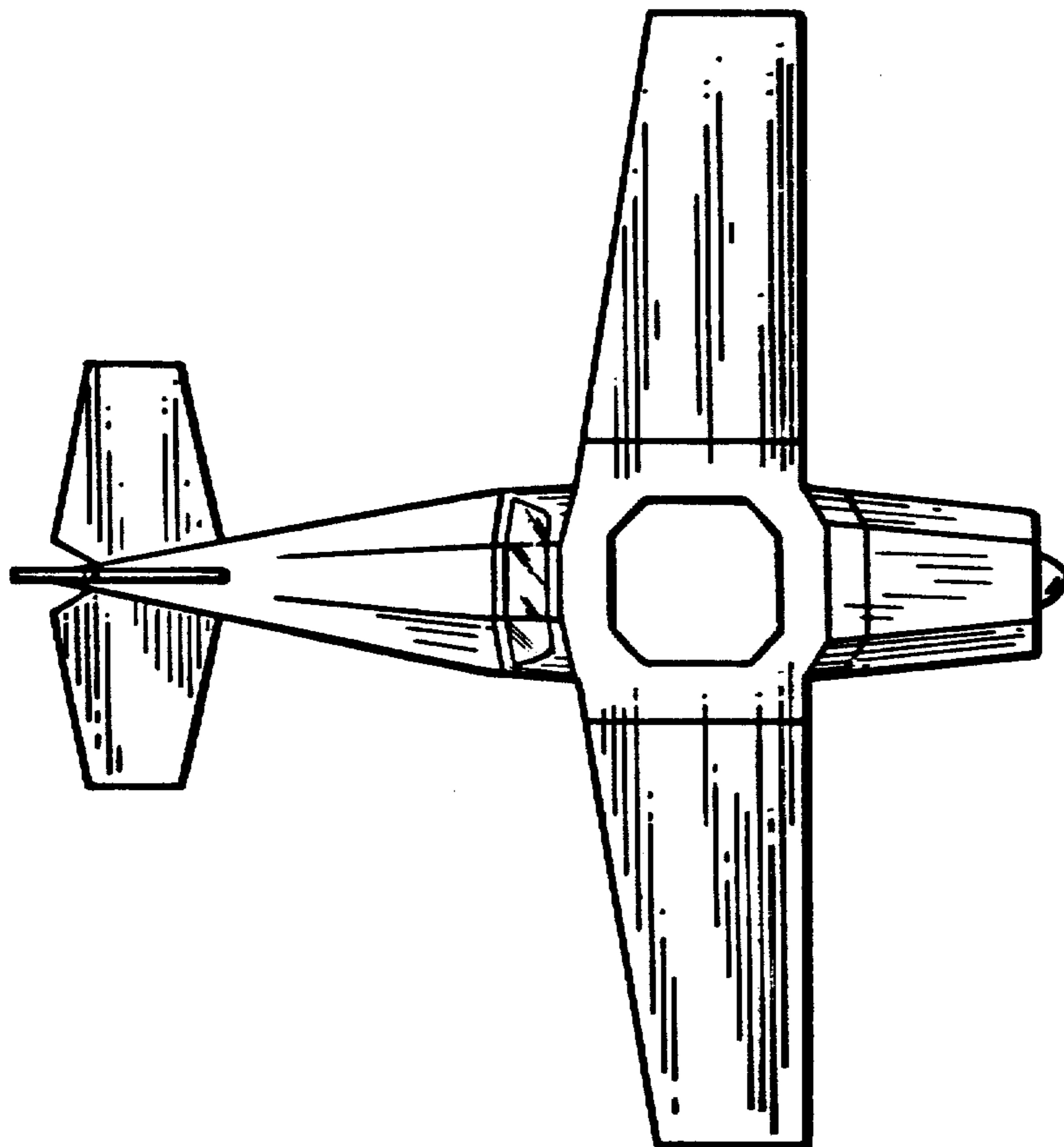
Primary Examiner—Joel Stearman
Assistant Examiner—C. A. Rademaker
Attorney, Agent, or Firm—Eugene F. Malin

[57] CLAIM

The ornamental design for toy airplane, substantially as shown and described.

DESCRIPTION

FIG. 1 is a top plan view of a toy airplane showing my new design;
FIG. 2 is a side elevational view thereof;
FIG. 3 is a bottom plan view thereof;
FIG. 4 is a front elevational view thereof; and,
FIG. 5 is a rear elevational view thereof.



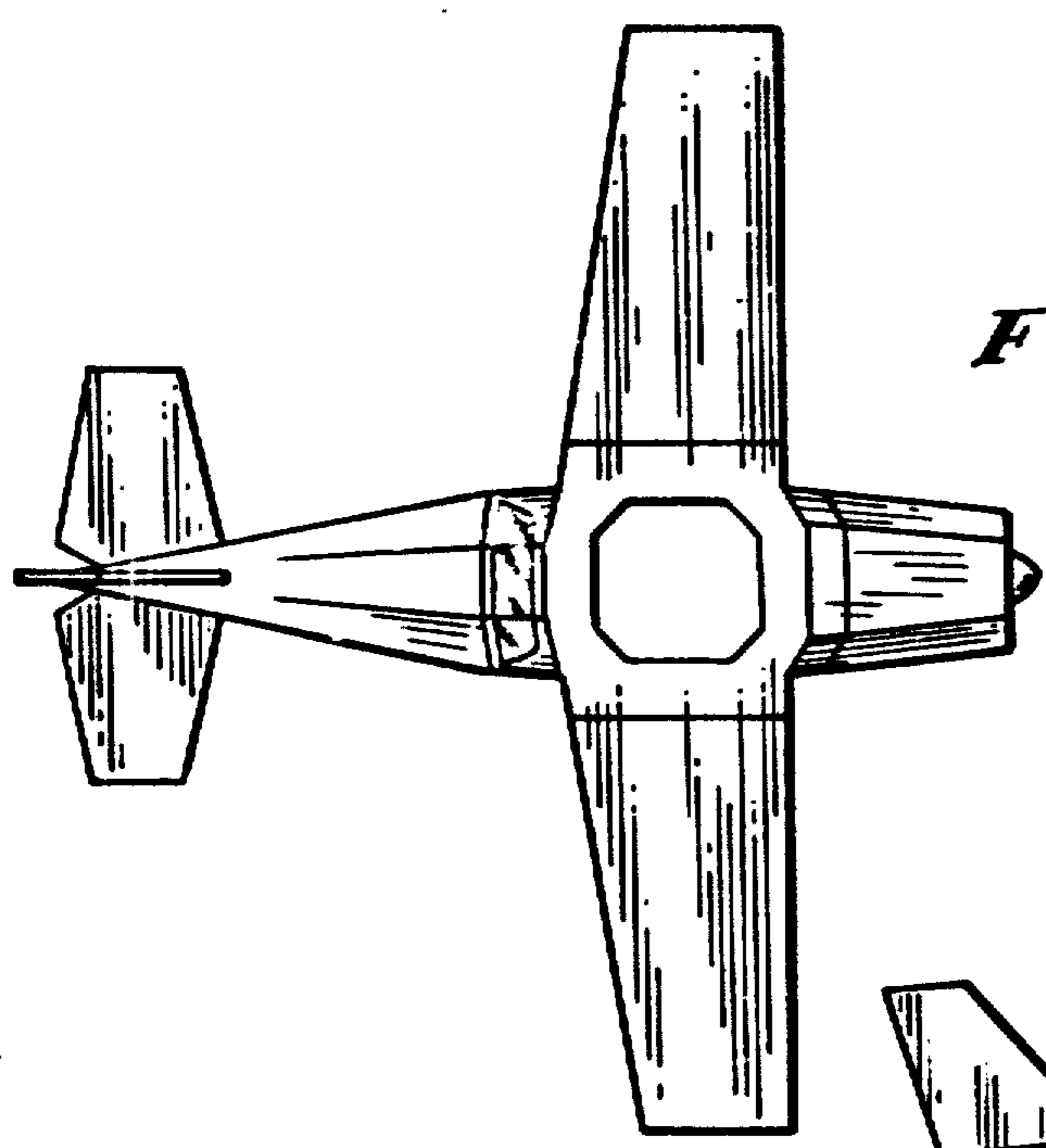


Fig. 1.

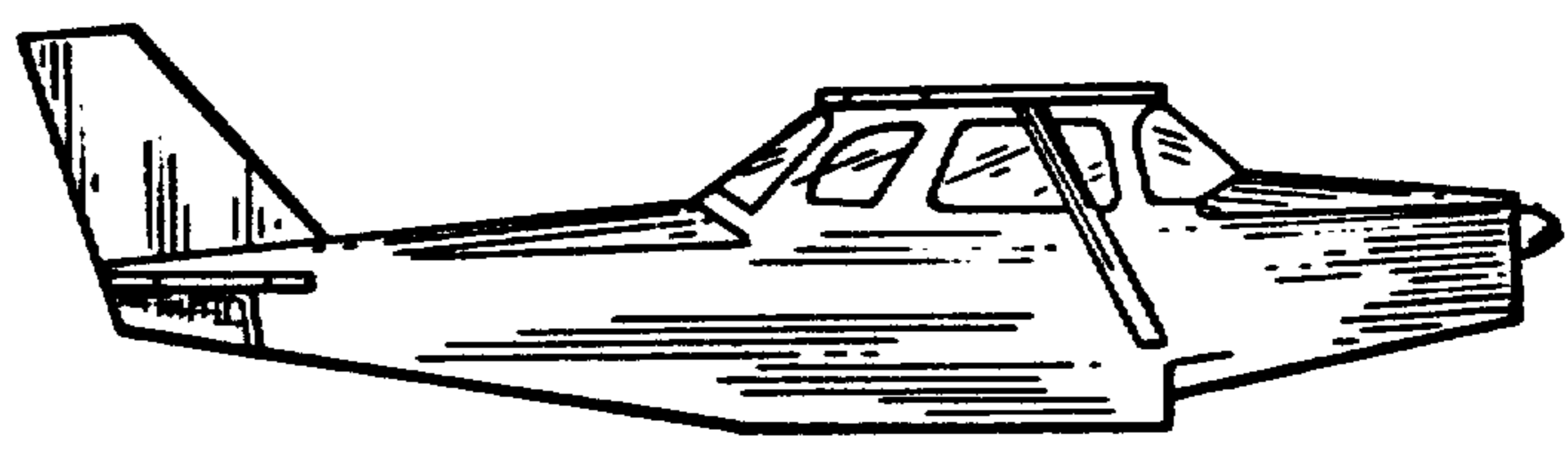


Fig. 2.

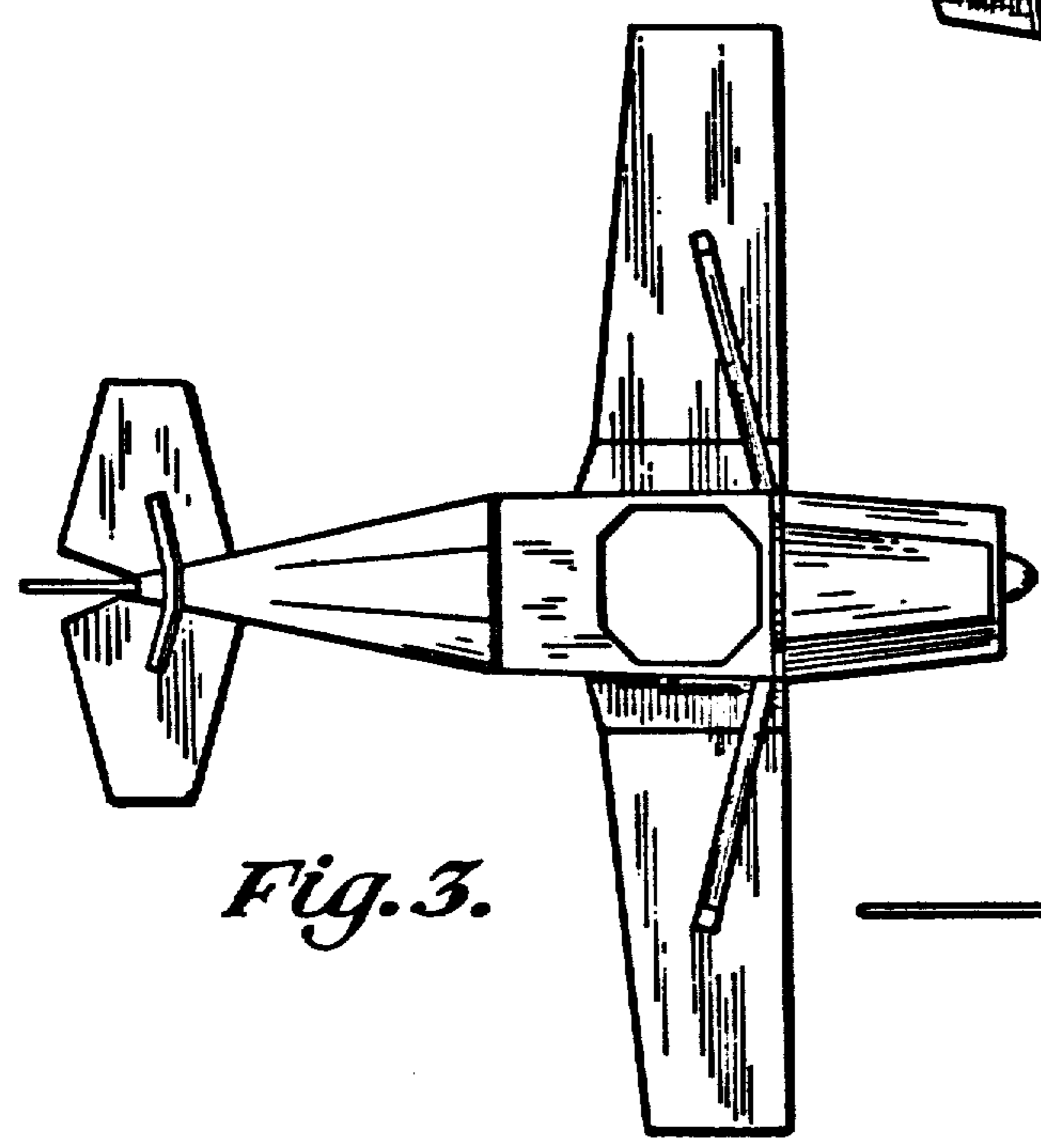


Fig. 3.

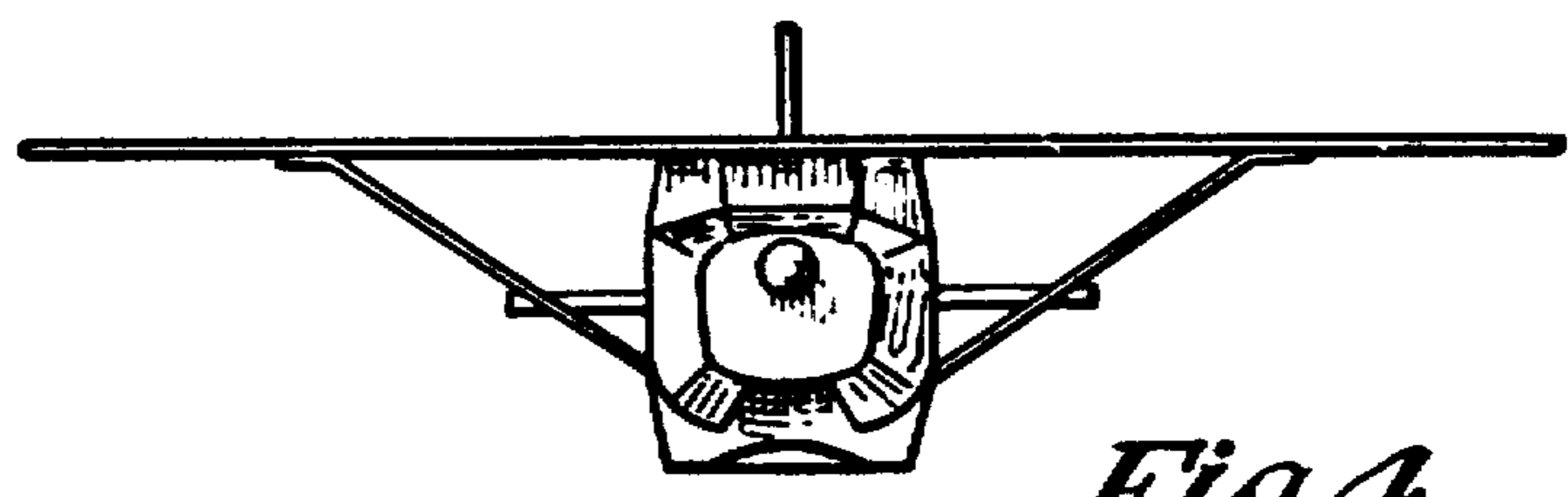


Fig. 4.

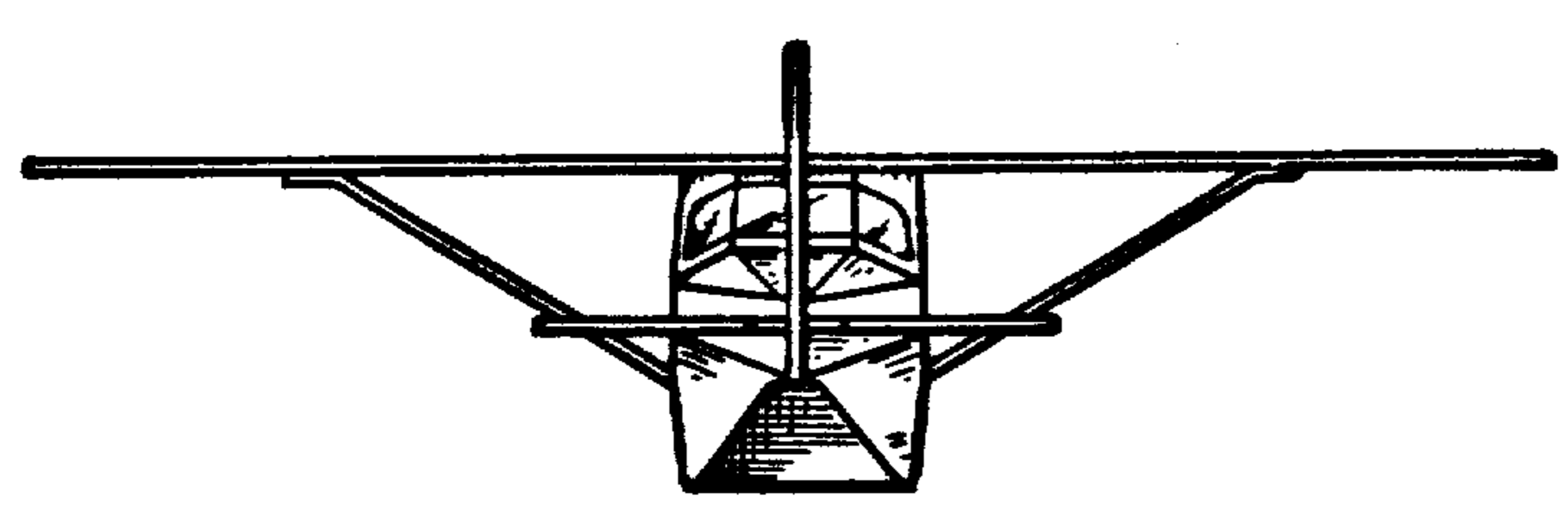


Fig. 5.