

[54] VIVARIUM

[76] Inventor: **Danny E. Deaton**, Rte 3, Box 362,
Pinson, Ala. 35126

[**] Term: **14 Years**

[21] Appl. No.: **683,014**

[22] Filed: **May 4, 1976**

[51] Int. Cl. **D30-02**

[52] U.S. Cl. **D30/1**

[58] Field of Search **D30/1-12;**
119/1, 5, 17, 19

D. 214,916	8/1969	Lovitz	D30/9
D. 216,129	11/1969	Rutledge	D30/6
D. 229,839	1/1974	Schlesinger et al.	D30/9
D. 237,729	11/1975	Coppa	D30/8 X

Primary Examiner—James R. Largen
Attorney, Agent, or Firm—Woodford R. Thompson, Jr.

[57] **CLAIM**

The ornamental design for a vivarium, as shown and described.

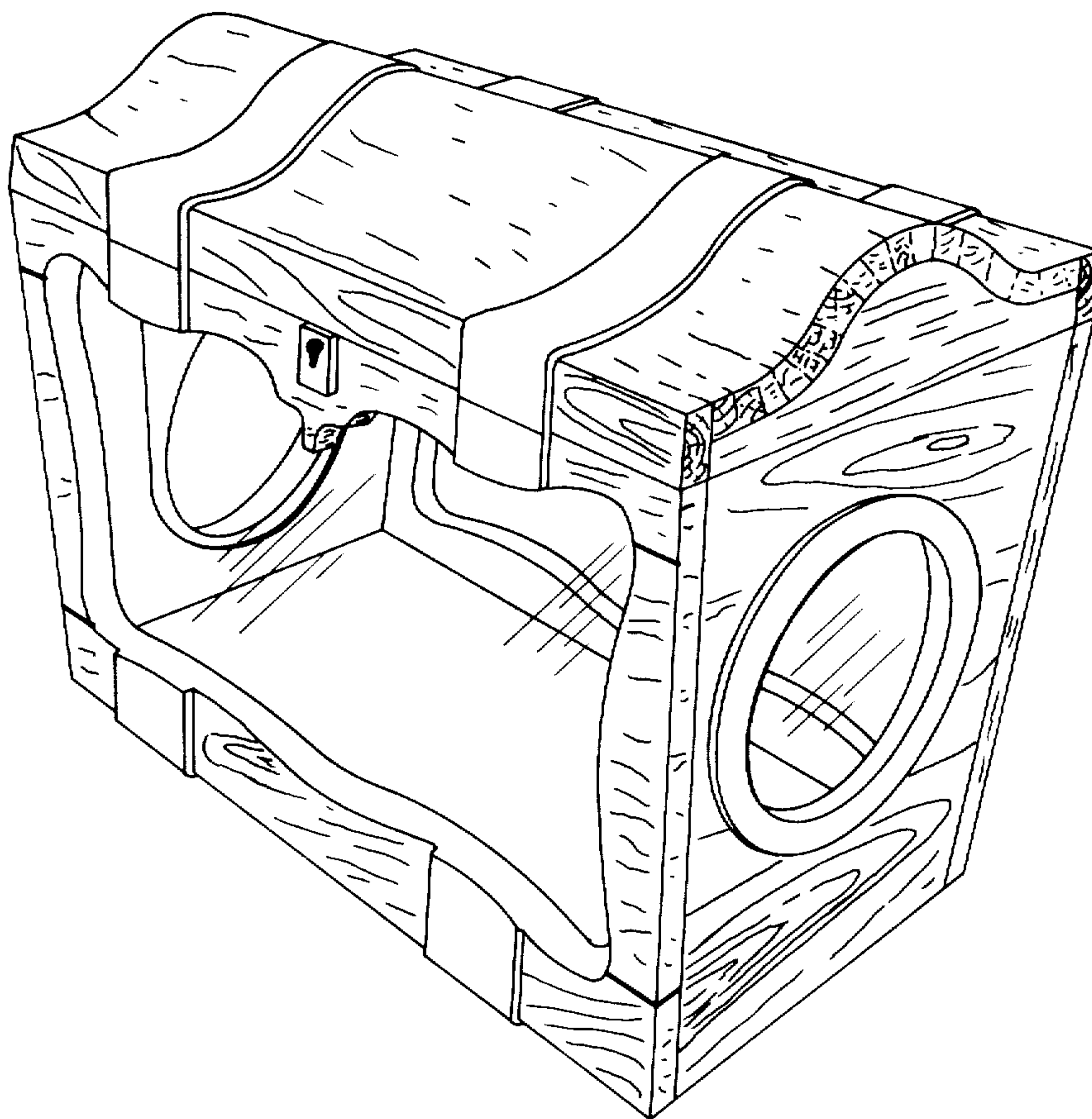
DESCRIPTION

FIG. 1 is a perspective view of a vivarium showing my new design, the end not shown being identical to the end shown and the side not shown being identical to the side shown with the exception of the small, rectangular key hole unit.

[56] **References Cited**

U.S. PATENT DOCUMENTS

D. 92,776	7/1934	Shannon	D30/12 X
D. 93,365	9/1934	Swanson	D30/8
D. 198,534	6/1964	Klingberg	D30/6



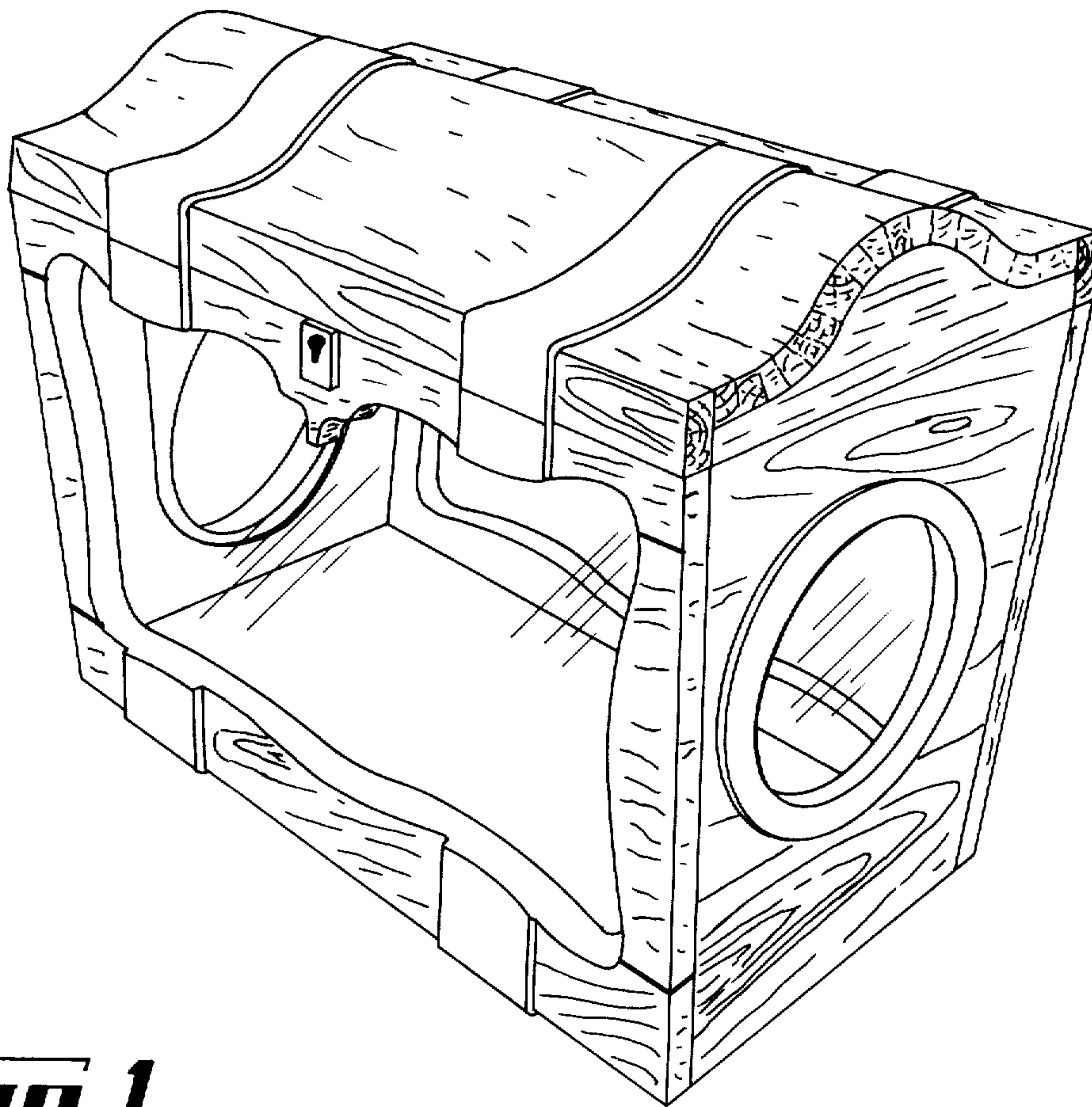


Fig 1