

[54] CONTAINER FOR BICYCLES

[75] Inventors: James E. Harris, Hermitage, Tenn.; Norman K. Whitaker, Clarkston, Ga.

[73] Assignee: Aladdin Industries, Incorporated, Chicago, Ill.

[**] Term: 14 Years

[21] Appl. No.: 649,366

[22] Filed: Jan. 15, 1976

[51] Int. Cl. D12-11

[52] U.S. Cl. D12/158

[58] Field of Search D12/158; D87/1 R; 224/30 R, 32 R, 35

[56] References Cited

U.S. PATENT DOCUMENTS

522,186 7/1894 Andrews 224/35

FOREIGN PATENT DOCUMENTS

93,137 1895 Germany 224/35

20,217 8/1915 United Kingdom 224/35

29,065 11/1911 United Kingdom 224/35

11,145 7/1896 United Kingdom 224/35

OTHER PUBLICATIONS

American Bicyclist & Motorcyclist, 12/74, p. 58, Glove Compartment, top of page.

American Bicyclist & Motorcyclist, 2/73, p. 82, Bike Bag, bottom of page.

Primary Examiner—Wallace R. Burke

Assistant Examiner—James M. Gandy

Attorney, Agent, or Firm—Dugald S. McDougall

[57] CLAIM

The ornamental design for a container for bicycles, as shown.

DESCRIPTION

FIG. 1 is a perspective view of the container for bicycles showing our new design;

FIG. 2 is a top plan view thereof;

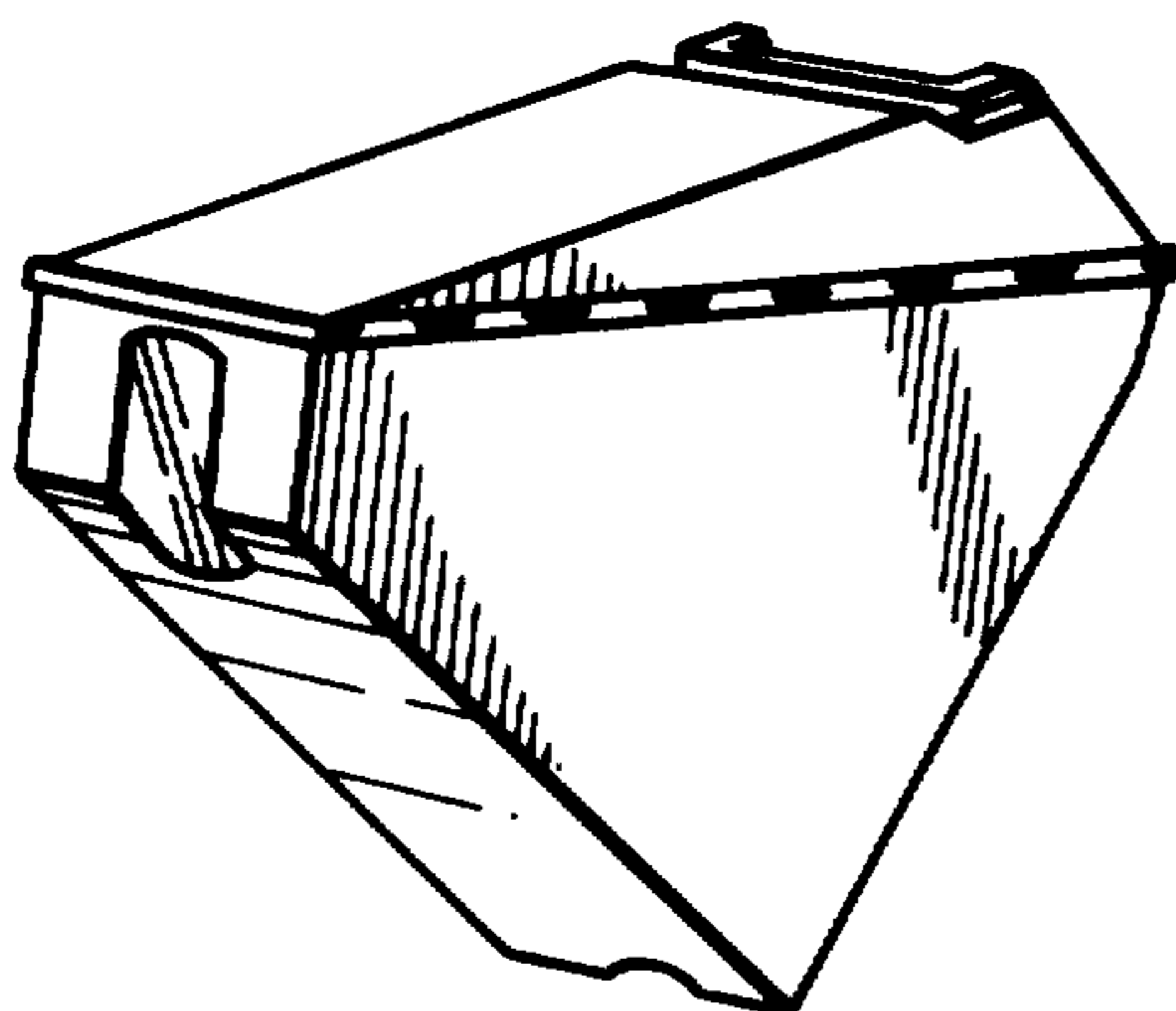
FIG. 3 is a right side elevation view thereof;

FIG. 4 is a front elevation view thereof;

FIG. 5 is a left side elevation view thereof;

FIG. 6 is a rear elevation view thereof; and

FIG. 7 is a bottom plan view thereof.



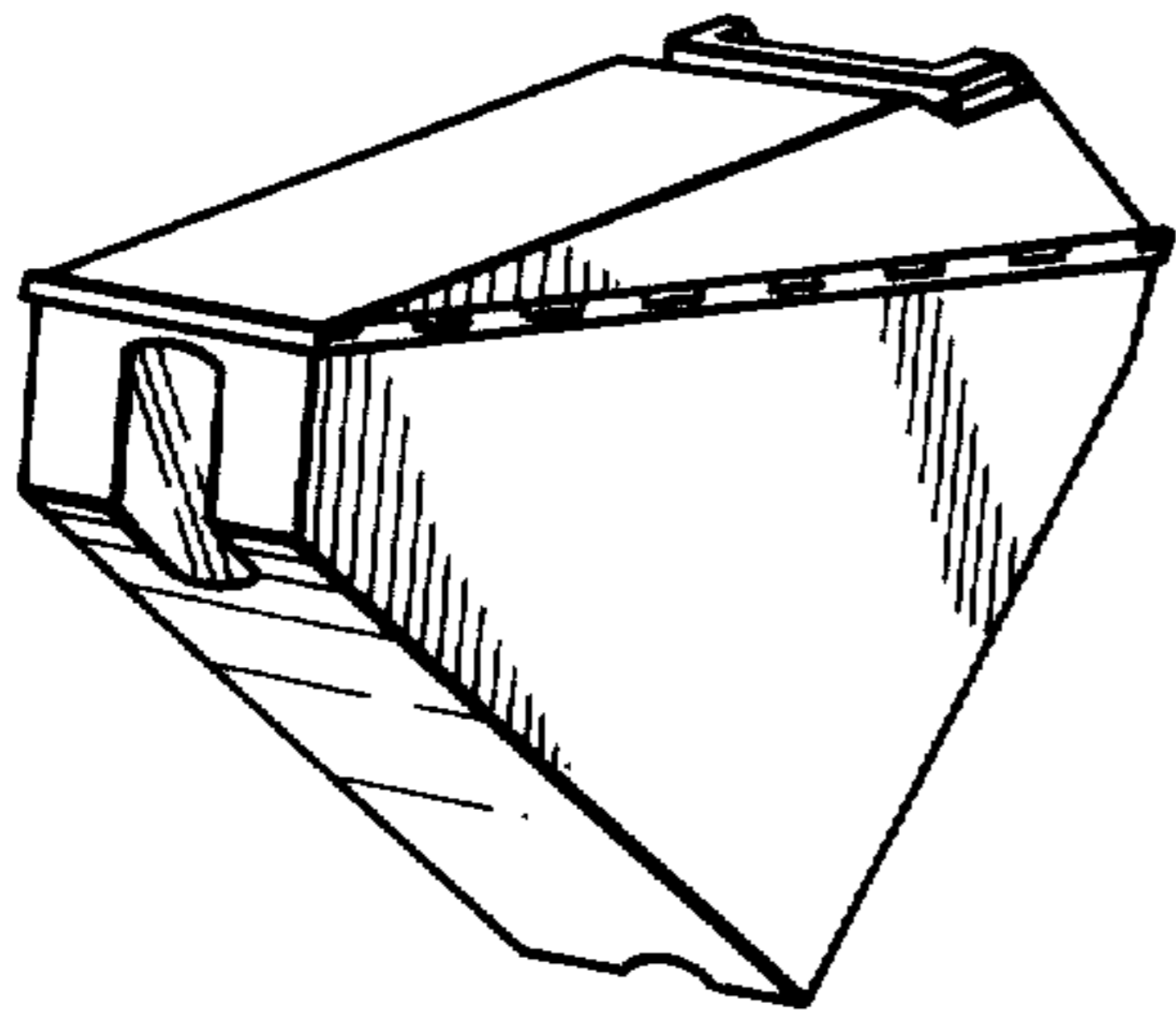


FIG. 1

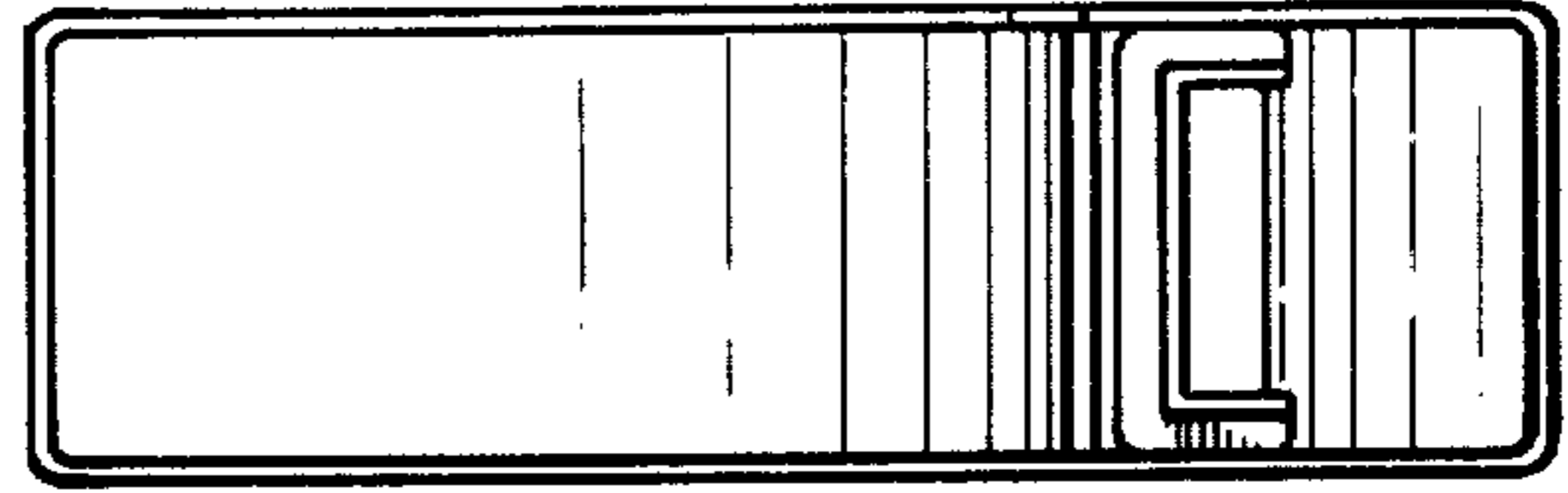


FIG. 2

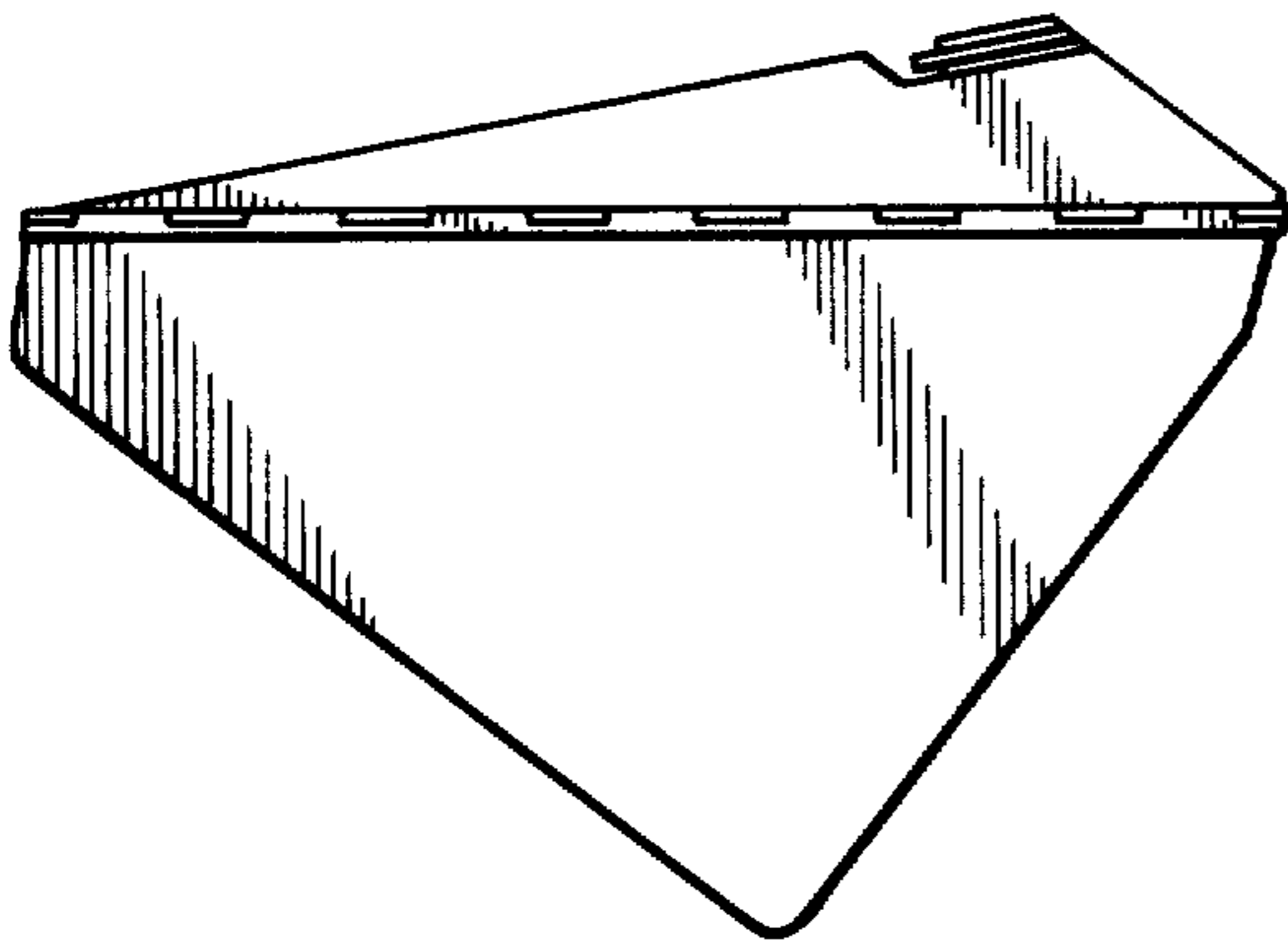


FIG. 3

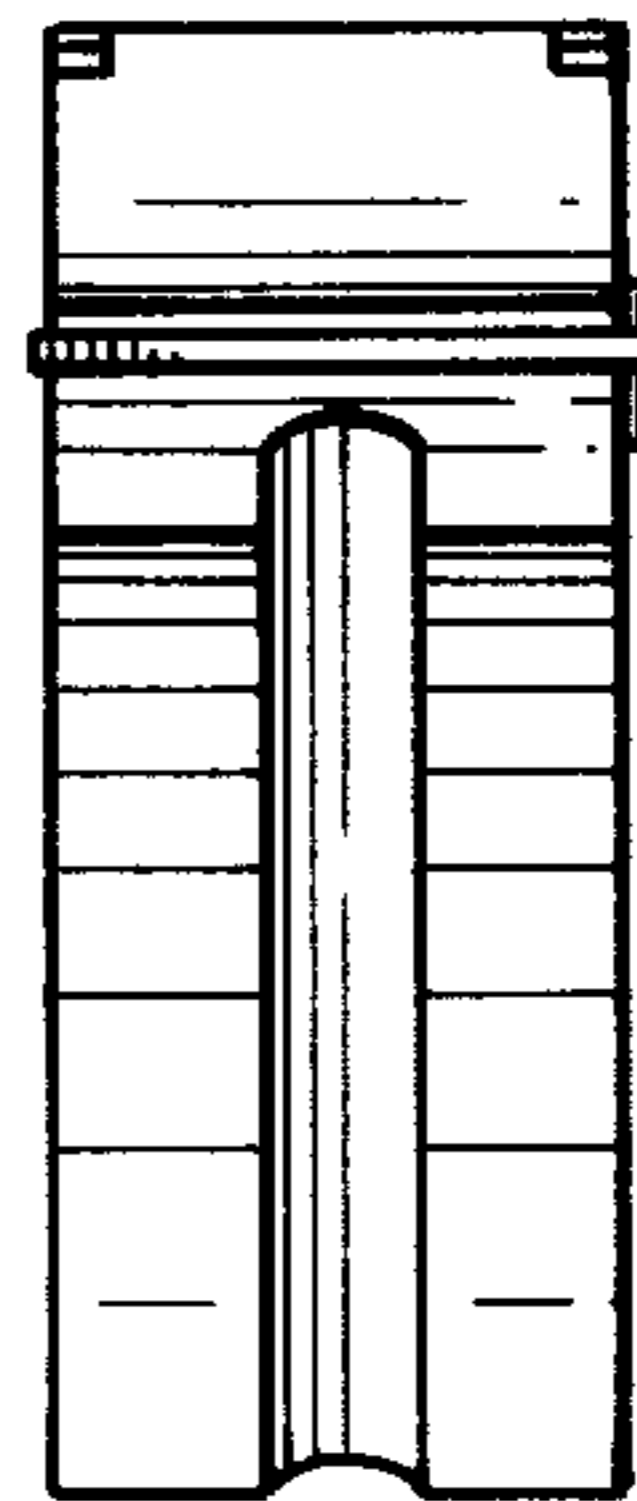


FIG. 4

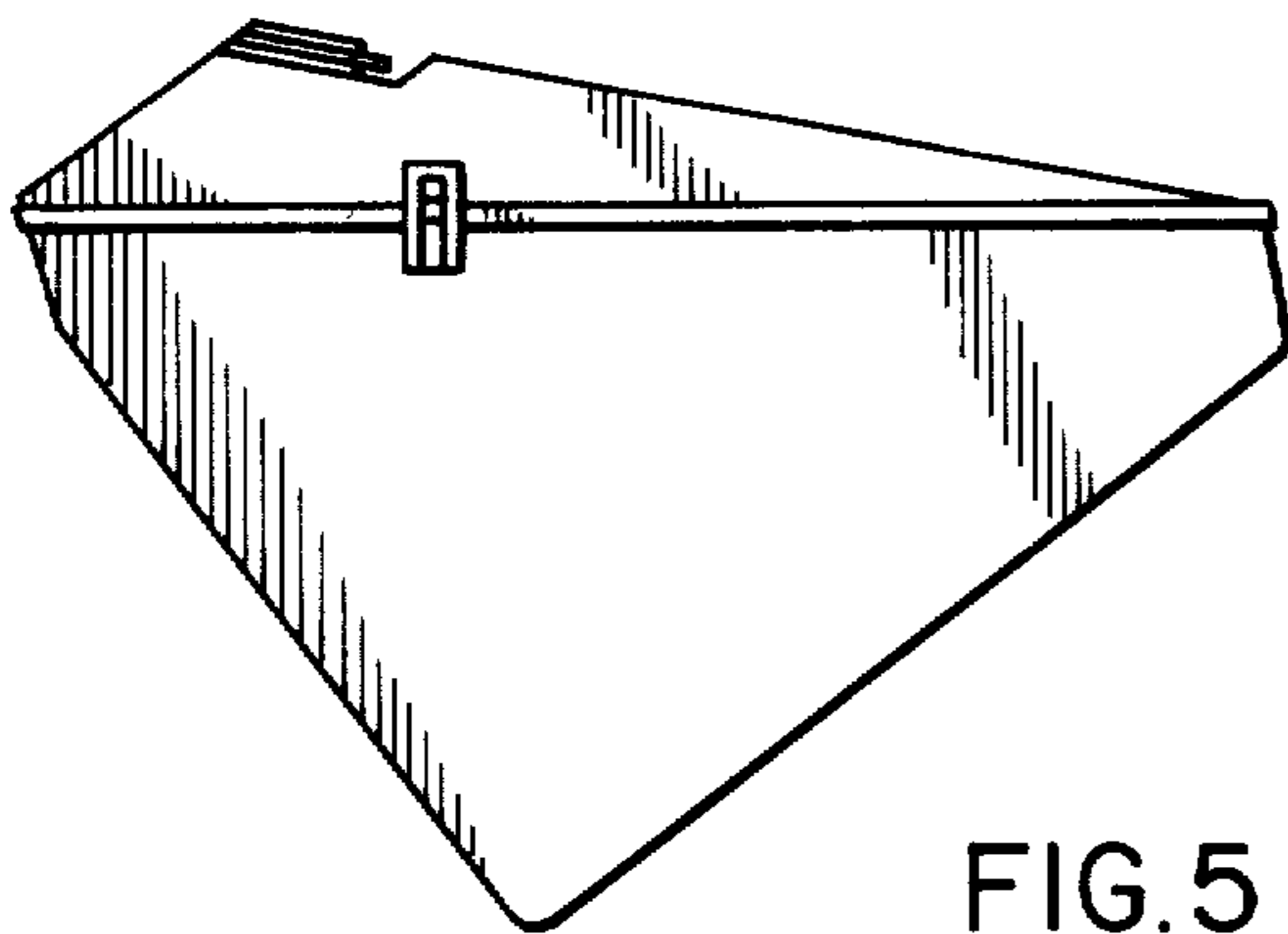


FIG. 5

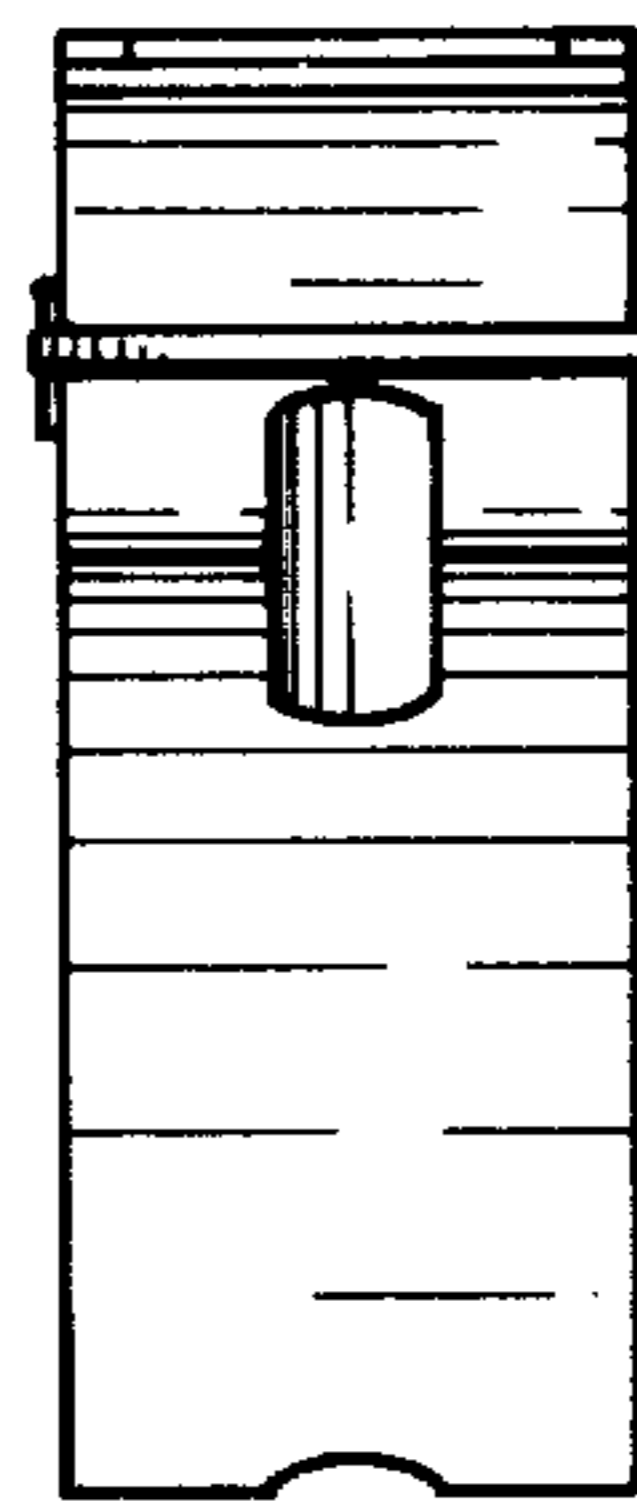


FIG. 6

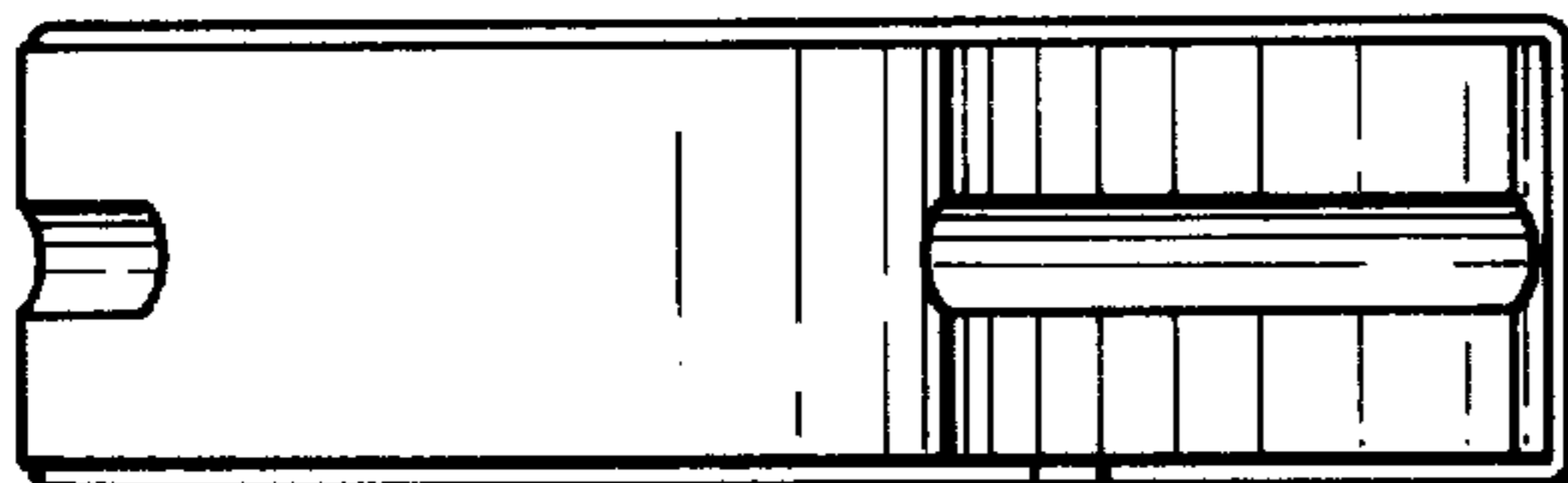


FIG. 7