

- [54] WINCH HOUSING COVER
- [75] Inventor: **Encho Janaki Kuzarov**, Milwaukie, Oreg.
- [73] Assignee: **Warn Industries, Inc.**, Kent, Wash.
- [\*\*] Term: **14 Years**
- [21] Appl. No.: **615,977**
- [22] Filed: **Sept. 23, 1975**
- [51] Int. Cl. .... **D12-05**
- [52] U.S. Cl. .... **D12/60**
- [58] Field of Search ..... **D12/60; 254/161-164, 254/186 R**

- [56] **References Cited**
- U.S. PATENT DOCUMENTS**
- 2,379,858 7/1945 Banzhaf et al. .... D12/60
- D. 43,066 9/1912 Valentine ..... D12/60

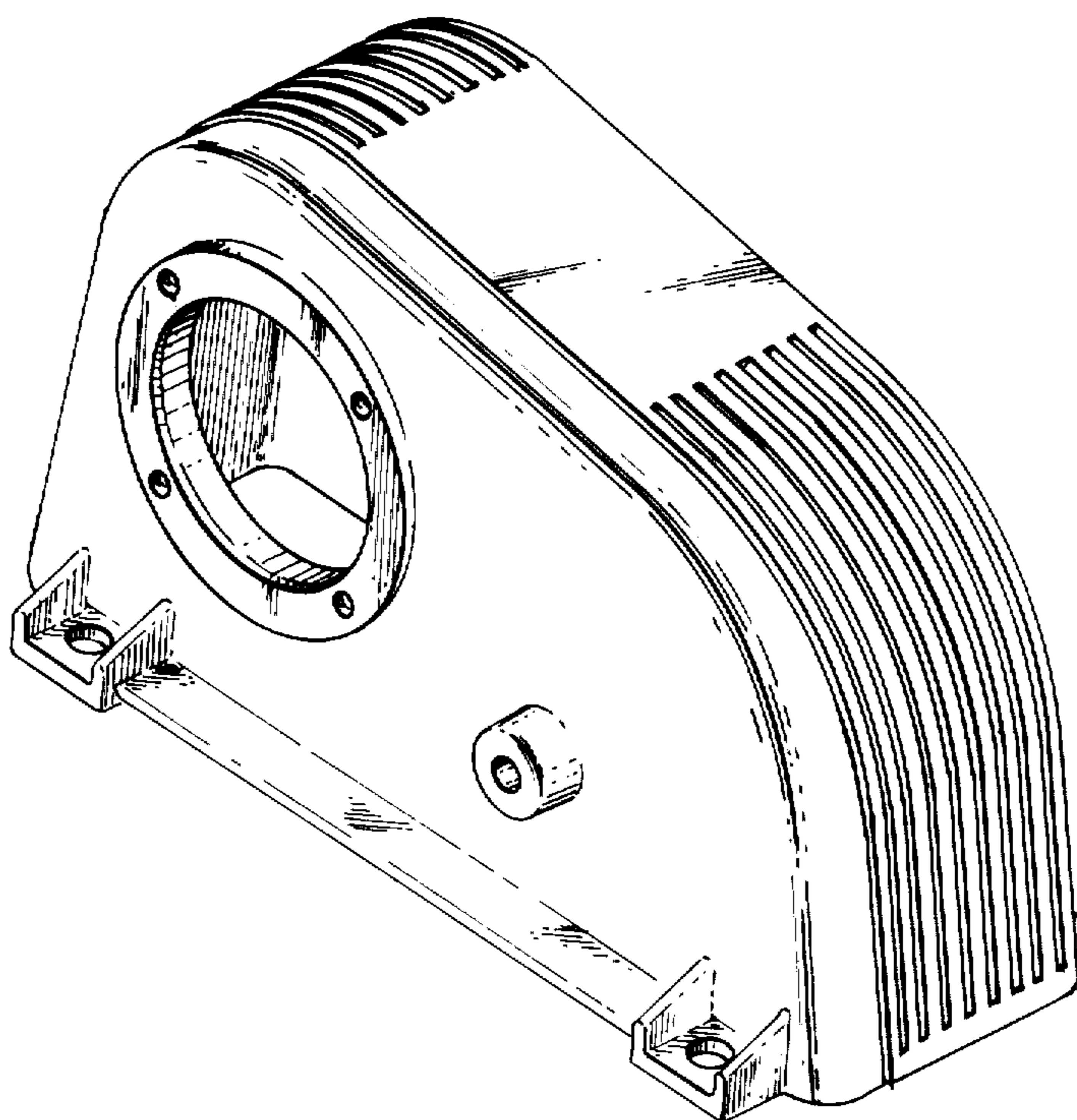
*Primary Examiner*—Wallace R. Burke  
*Assistant Examiner*—James M. Gandy  
*Attorney, Agent, or Firm*—Robert B. Hughes

[57] **CLAIM**

The ornamental design for a winch housing cover, substantially as shown.

**DESCRIPTION**

FIG. 1 is an isometric view taken from above and looking toward the front and one side of a winch housing cover showing my new design;  
 FIG. 2 is a side elevational view thereof;  
 FIG. 3 is a side elevational view thereof opposite to that shown in FIG. 2;  
 FIG. 4 is a top plan view thereof;  
 FIG. 5 is a bottom plan view thereof;  
 FIG. 6 is a front elevational view thereof; and  
 FIG. 7 is a rear elevational view thereof.



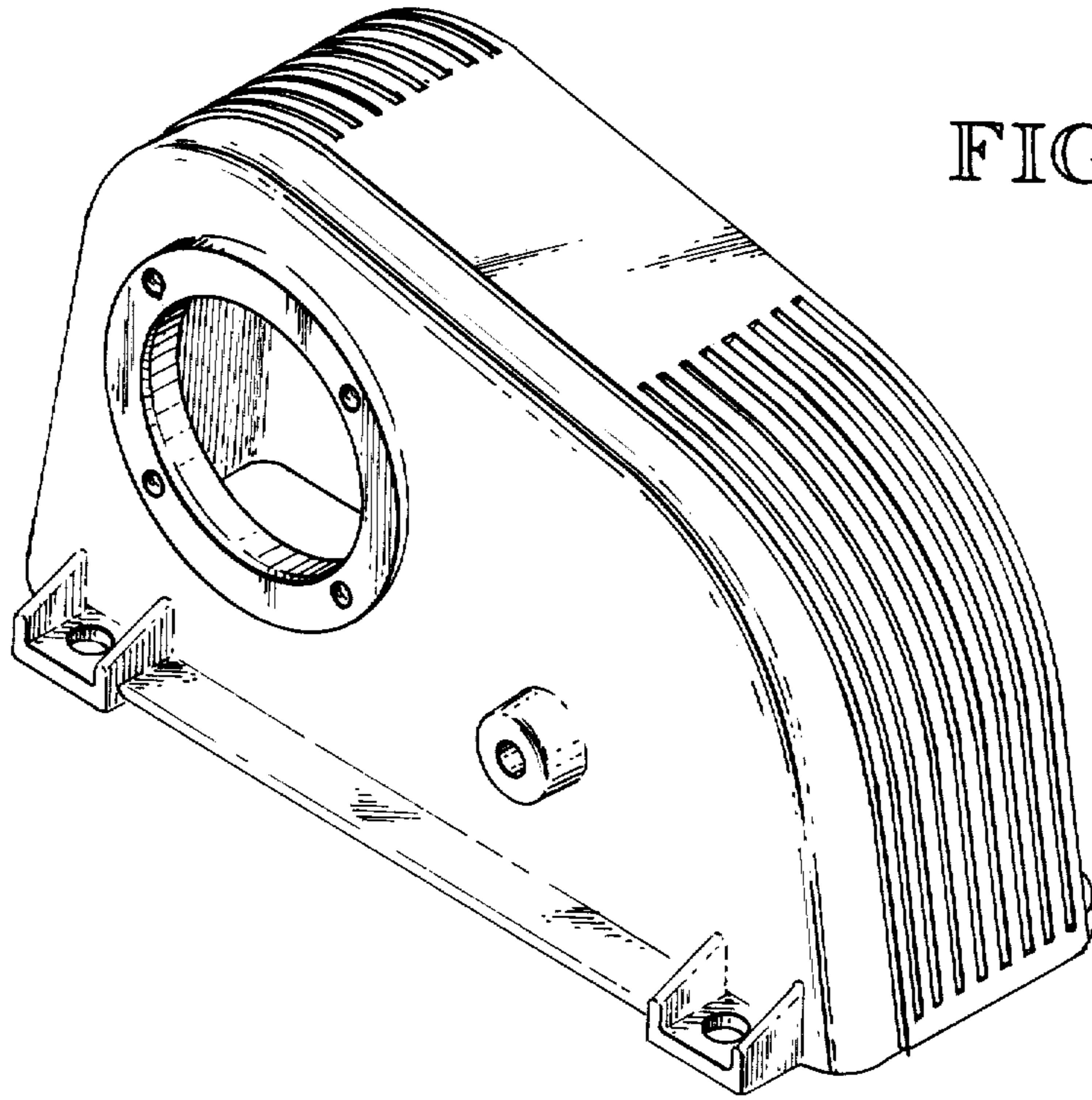


FIG. 1

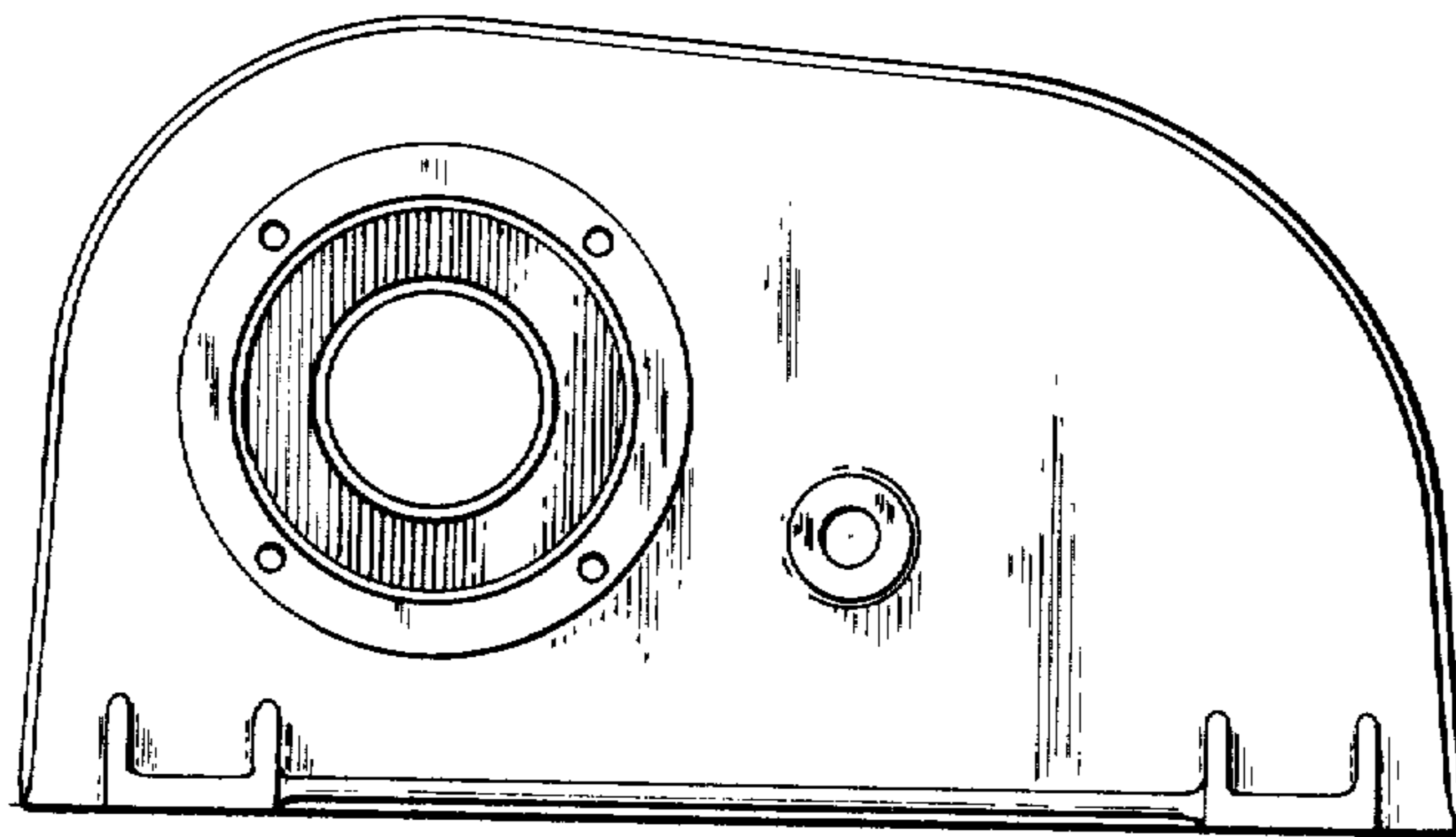


FIG. 2

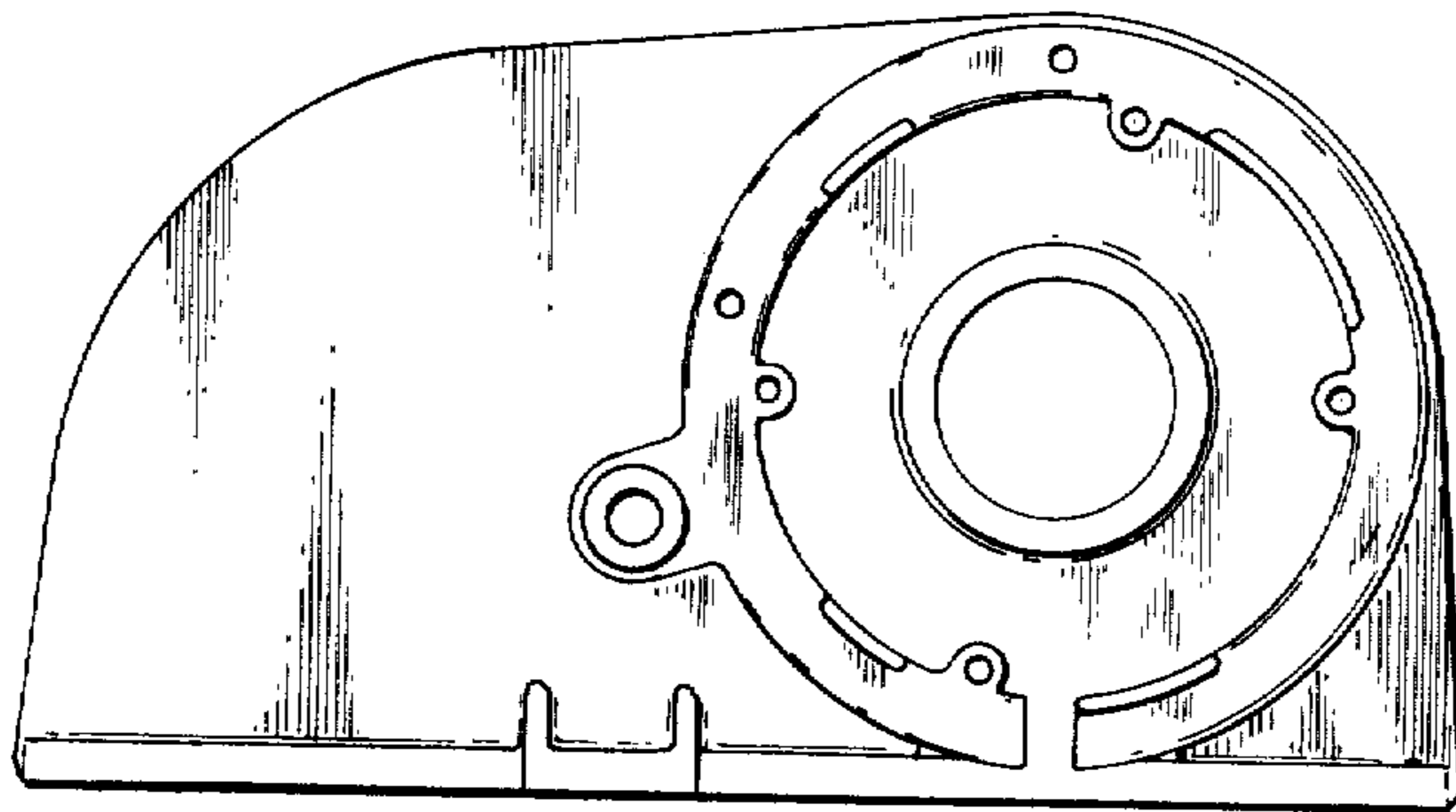


FIG. 3

FIG. 4

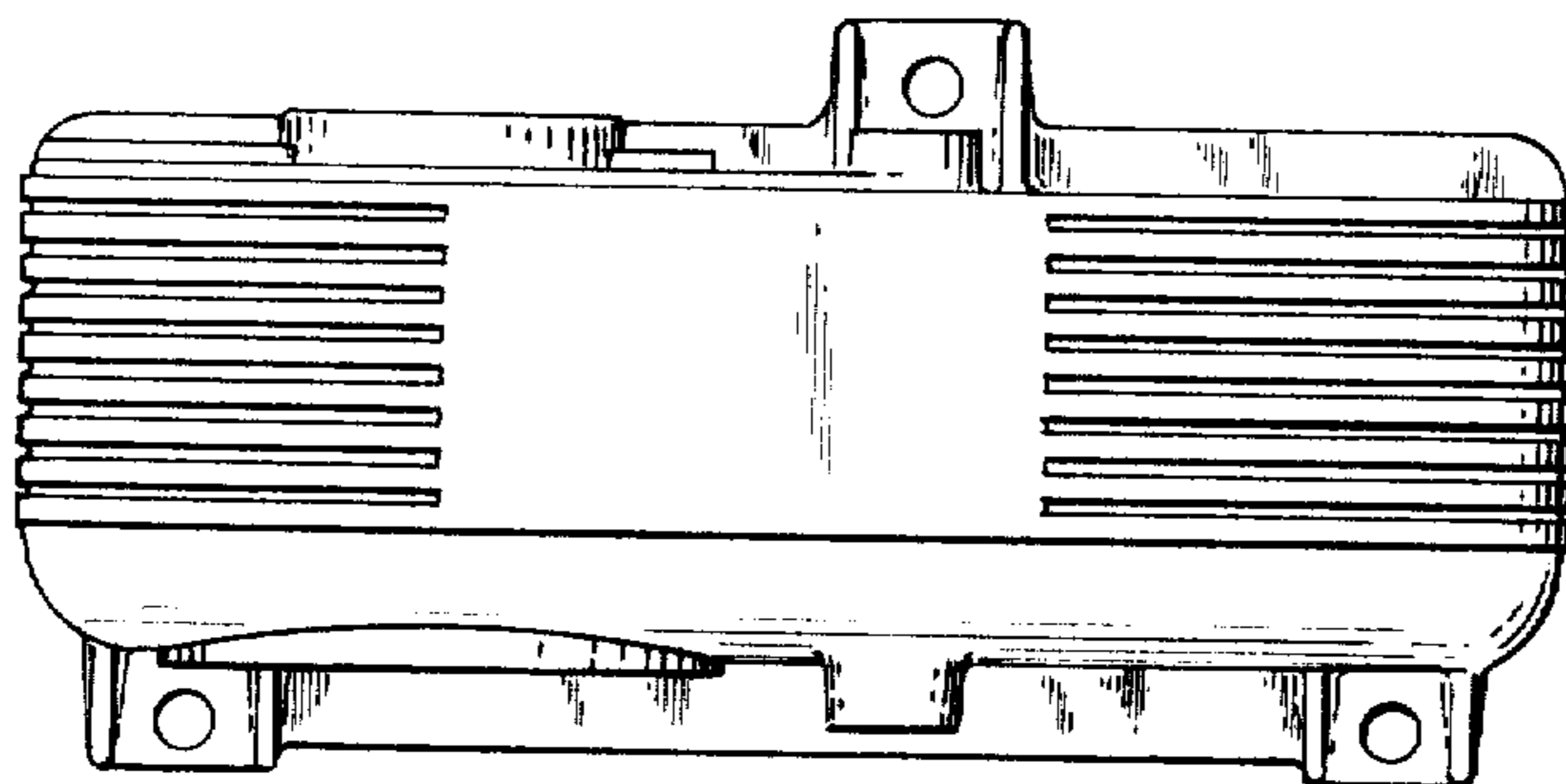


FIG. 5

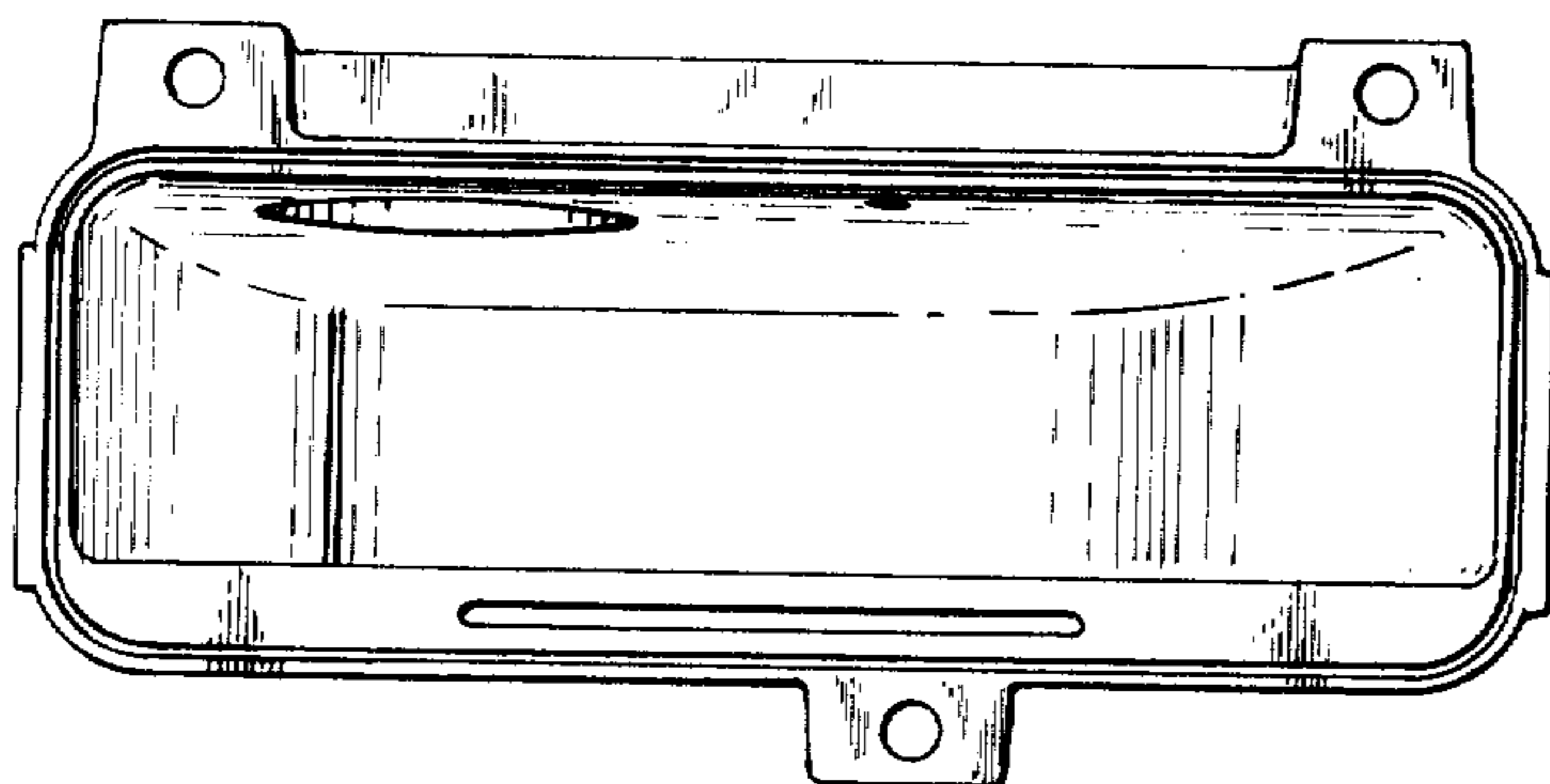


FIG. 6

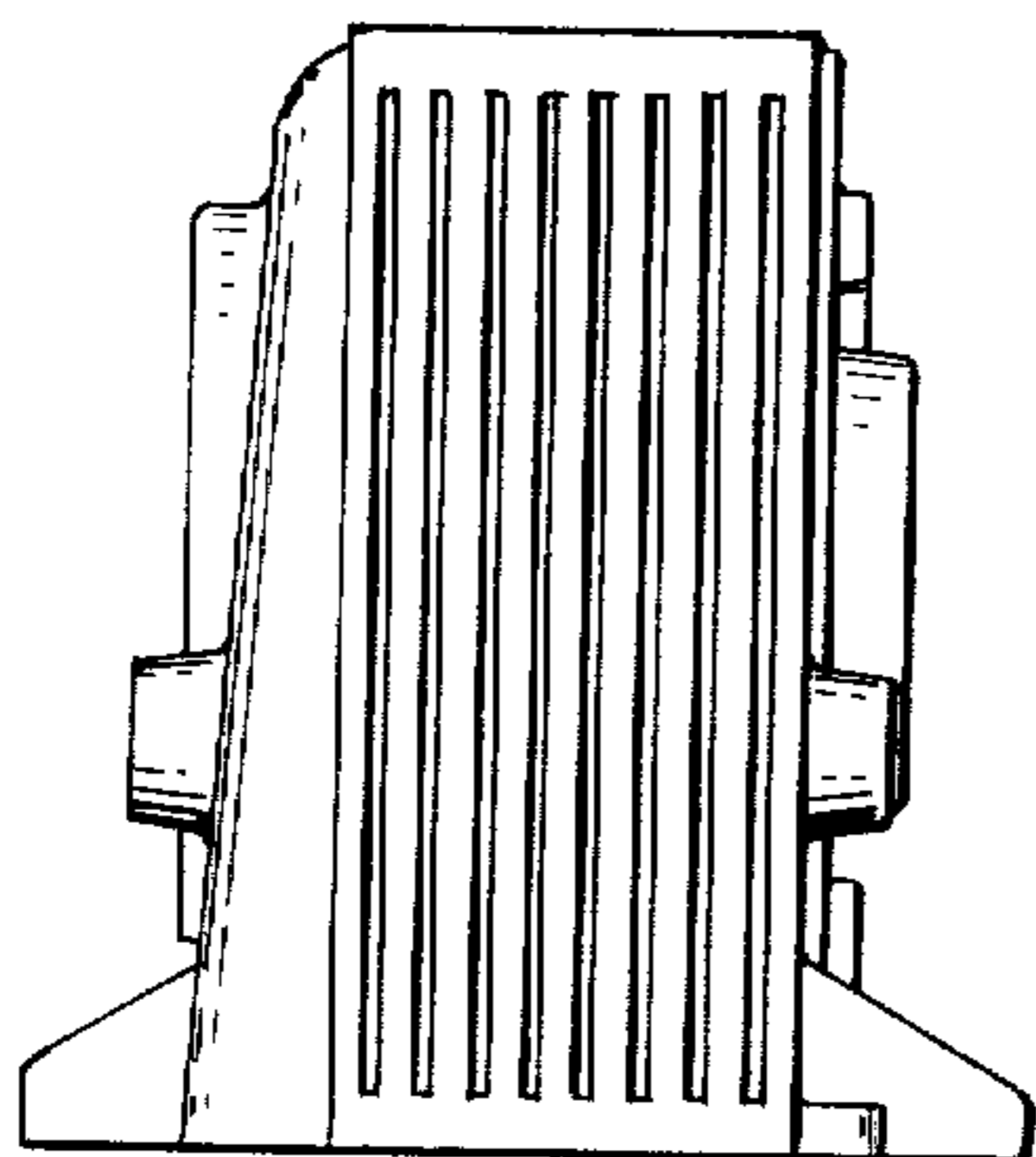


FIG. 7

