

[54] **SPHERICAL SPIRIT LEVEL**
 [76] Inventors: **Richard A. Pitkin; Stanley T. Beale**,
 both of 814 N. Hollywood Way,
 Burbank, Calif. 91505
 [**] Term: **14 Years**
 [21] Appl. No.: **602,548**
 [22] Filed: **Aug. 7, 1975**
 [51] Int. Cl. **D10-04**
 [52] U.S. Cl. **D10/69**
 [58] Field of Search D10/69; 33/381, 390

1,479,024 1/1924 Booraem 33/390
 2,645,030 7/1953 Mahone 33/390
 2,767,483 10/1956 Sauer 33/390

Primary Examiner—Nelson C. Holtje
Attorney, Agent, or Firm—Vernon D. Beehler

[57] **CLAIM**

The ornamental design for a spherical spirit level, as shown and described.

DESCRIPTION

FIG. 1 is a top plan view of a spherical spirit level showing our new design;
 FIG. 2 is a left end elevational view thereof the right end being a mirror image thereto;
 FIG. 3 is a bottom and side perspective view thereof, the opposite side being identical thereto.
 The opposite side and opposite end are identical respectively to the side and end shown in FIG. 3.

References Cited

U.S. PATENT DOCUMENTS

812,251	2/1906	Alexander	33/390
949,842	2/1910	Pugh	33/390
970,360	9/1910	Whigham	33/390
1,277,748	9/1918	Owen	33/390

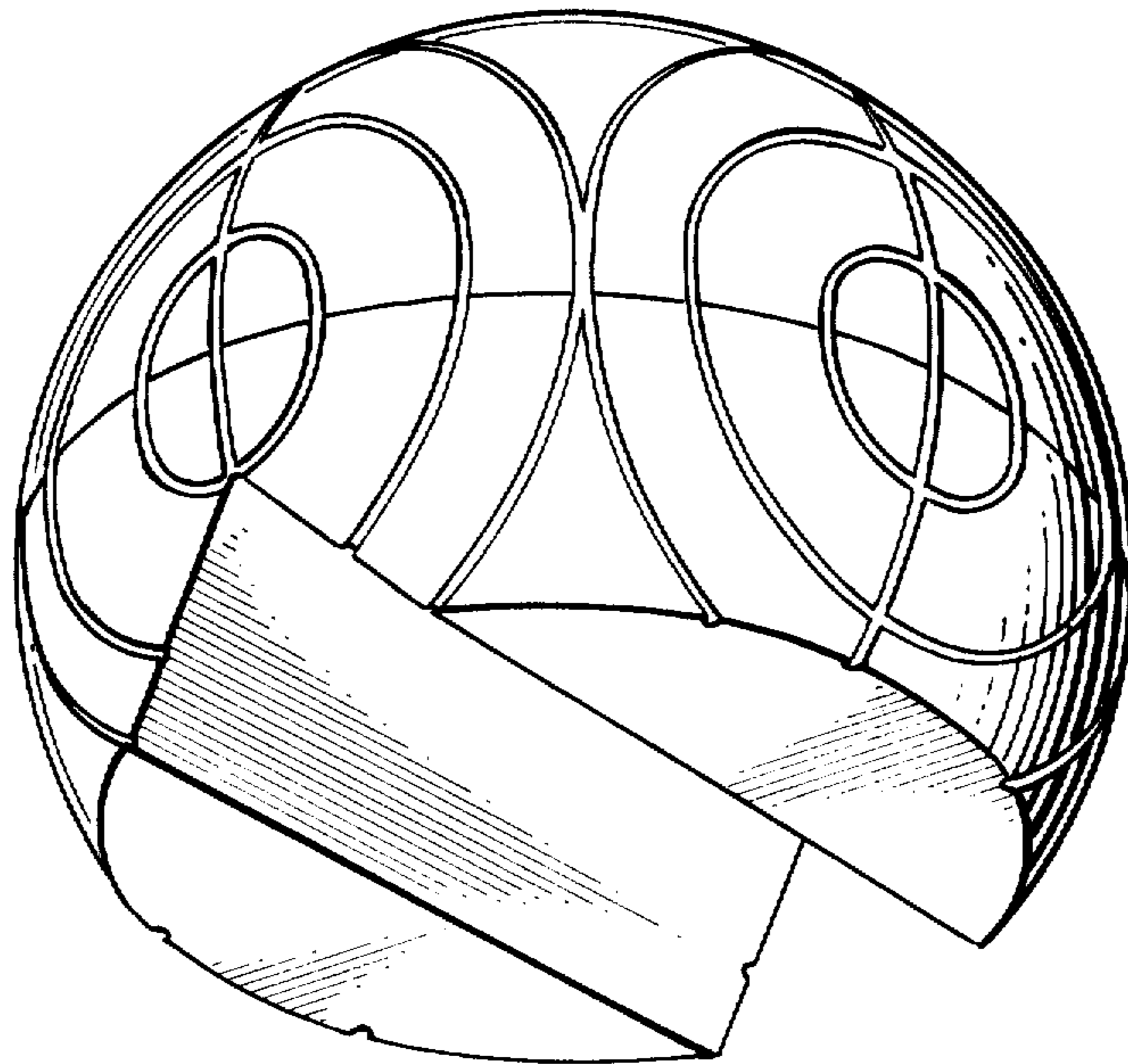


Fig. 1.

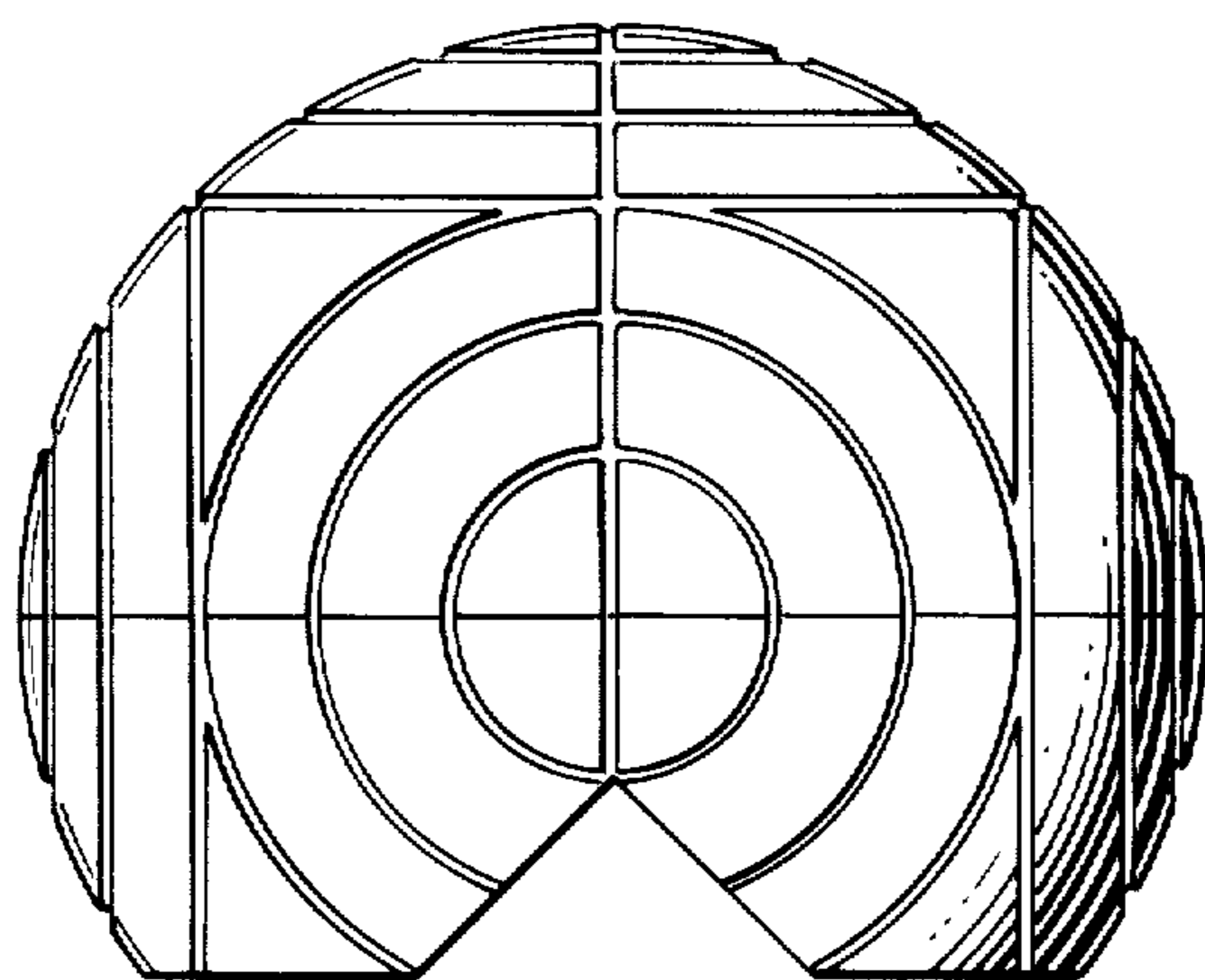
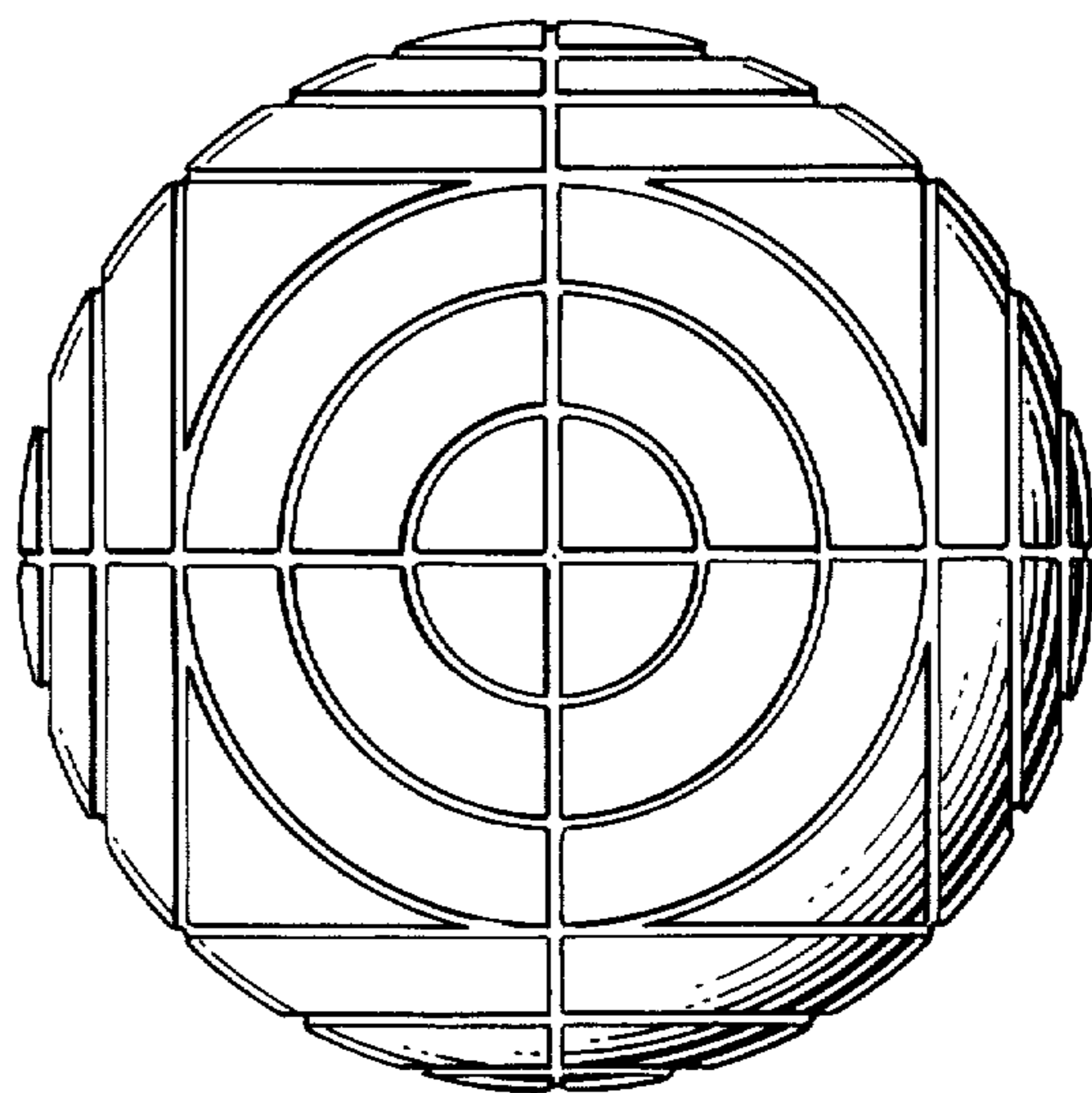


Fig. 2.

Fig. 3.

