

[54] UTILITY POLE SLANTED INSULATOR BRACKET

[75] Inventors: Joseph W. Dimiceli, San Rafael; Edgardo R. Labra, Corte Madera, both of Calif.

[73] Assignee: Utilities Hardware, Inc., Richmond, Calif.

[**] Term: 14 Years

[21] Appl. No.: 673,461

[22] Filed: Apr. 5, 1976

[51] Int. Cl. D08-08

[52] U.S. Cl. D8/364

[58] Field of Search 248/221; D8/234

[56] References Cited

U.S. PATENT DOCUMENTS

D. 231,330 4/1974 Dimiceli D8/234

Primary Examiner—William N. Wertman
Attorney, Agent, or Firm—George B. White

[57] CLAIM

The ornamental design for a utility pole slanted insulator bracket, as shown.

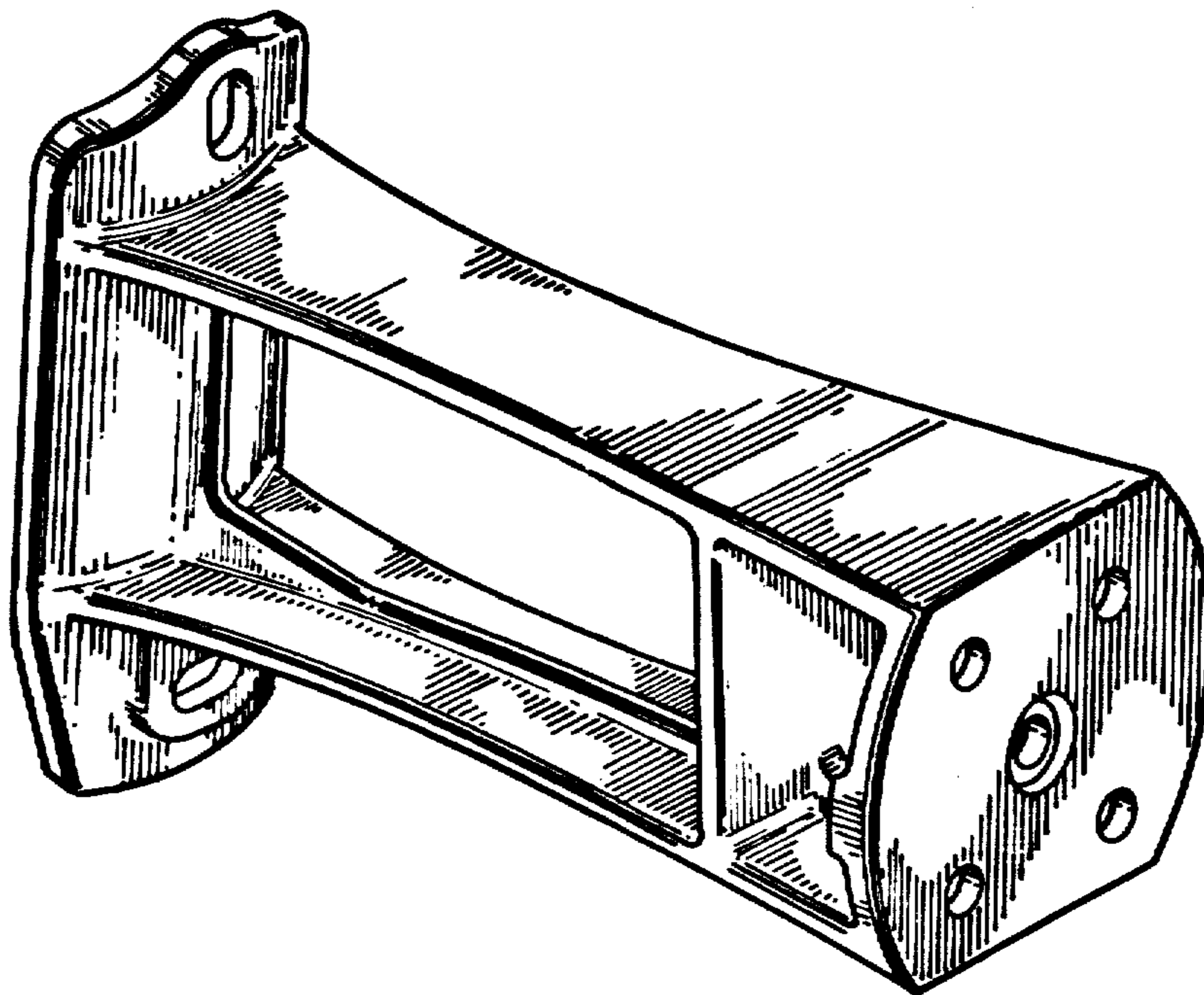
DESCRIPTION

FIG. 1 is a perspective view of a utility pole slanted insulator bracket showing our new design.

FIG. 2 is a side view in perspective of FIG. 1.

FIG. 3 is a rear view of FIG. 1.

FIG. 4 is a bottom view of FIG. 1.



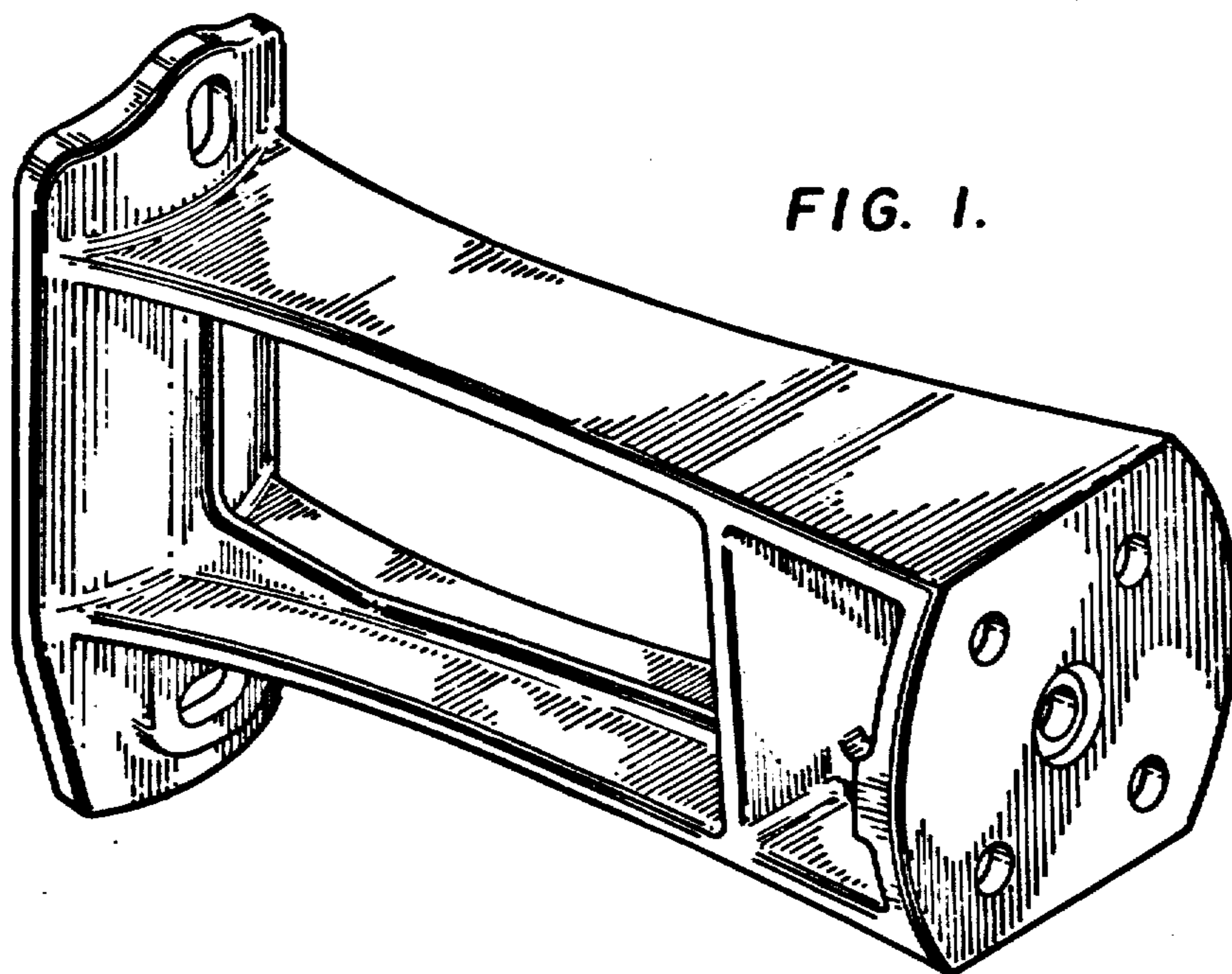


FIG. 1.



FIG. 3.

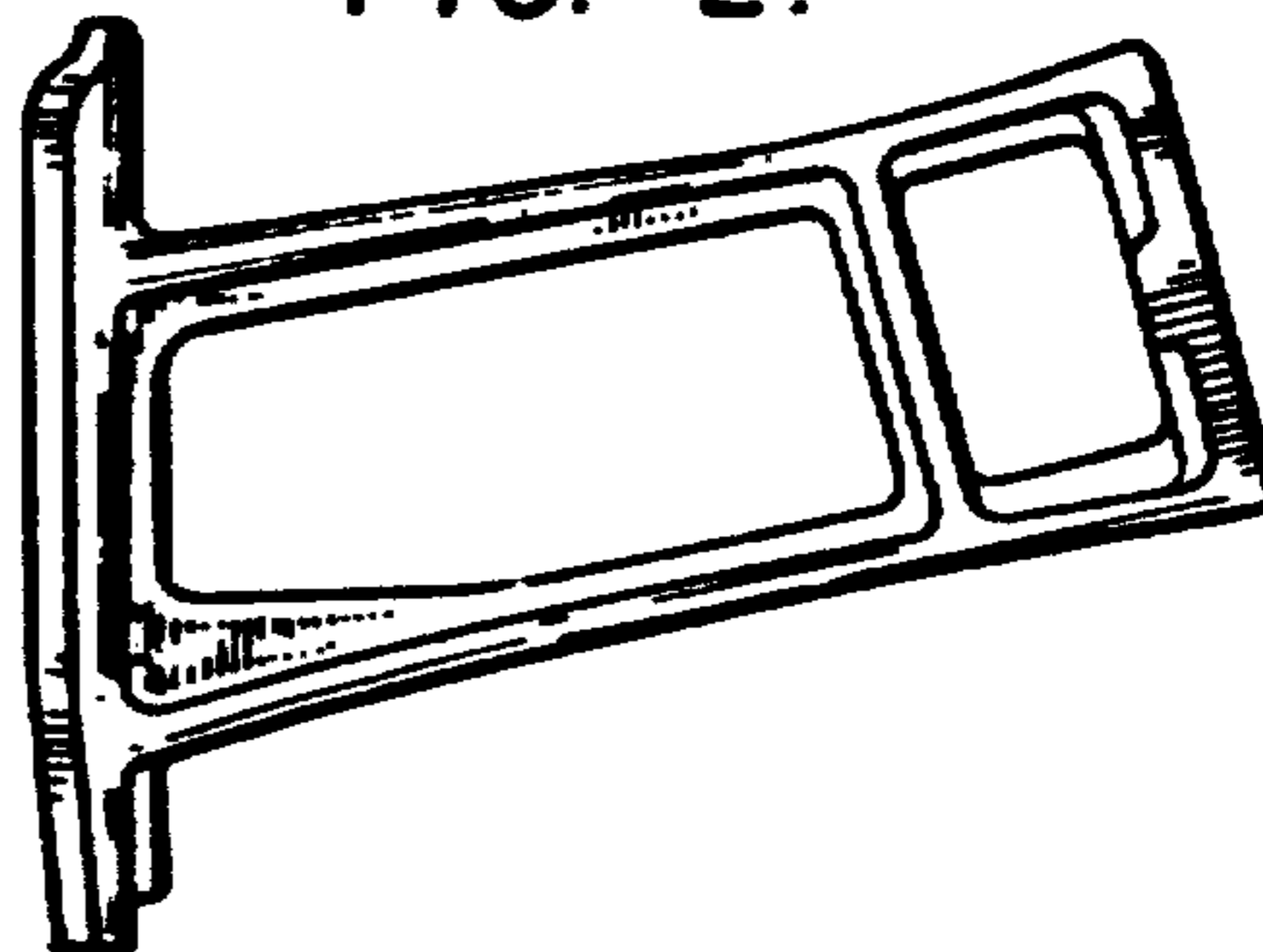


FIG. 2.

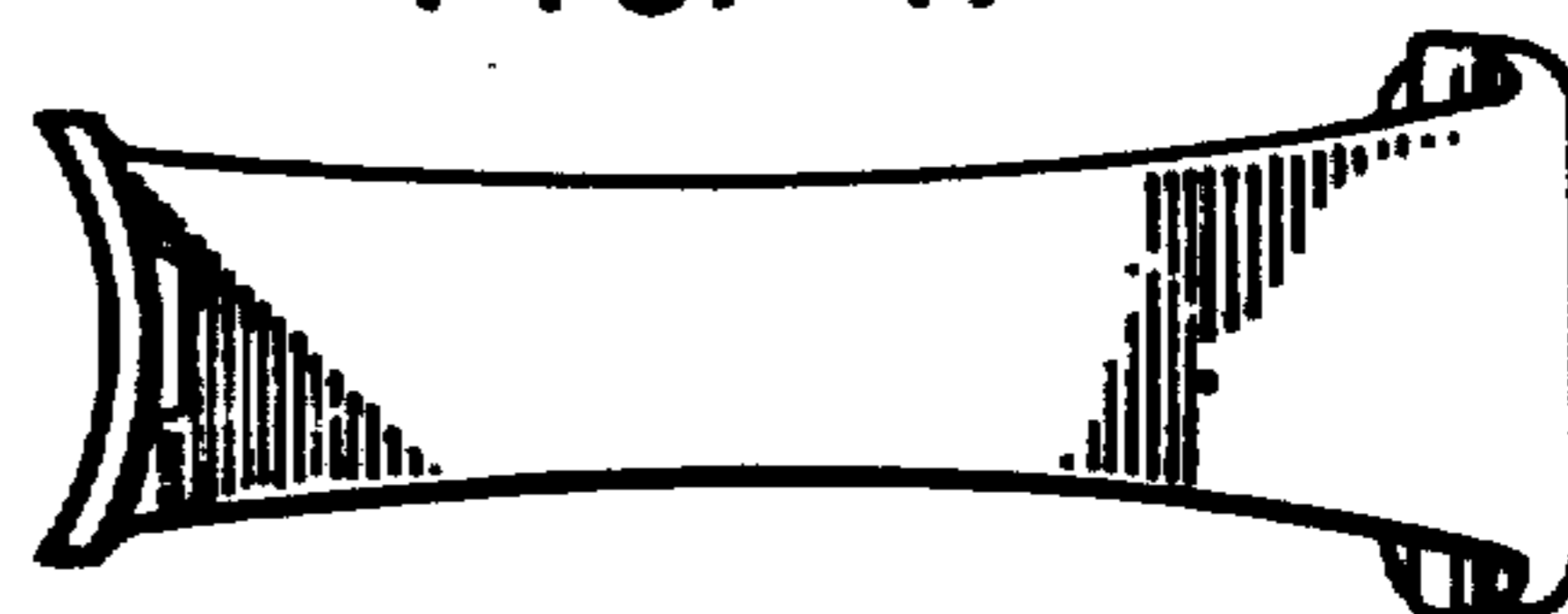


FIG. 4.