

[54] UTILITY POLE SIDE INSULATOR BRACKET

[75] Inventors: Joseph W. Dimiceli, San Rafael; Edgardo R. Labra, Corte Madera, both of Calif.

[73] Assignee: Utilities Hardware, Inc., Richmond, Calif.

[\*\*] Term: 14 Years

[21] Appl. No.: 673,425

[22] Filed: Apr. 5, 1976

[51] Int. Cl. .... D8-08

[52] U.S. Cl. .... D8/364

[58] Field of Search ..... D8/234, 235; 248/221

[56] References Cited

U.S. PATENT DOCUMENTS

3,231,945 2/1966 Miller et al. .... D8/234 UX  
D. 160,668 10/1950 Smith ..... D8/235

OTHER PUBLICATIONS

Domestic Engineering, July 1959, p. 51, FIG. 252, Attachment For Beams.

Primary Examiner—William N. Wertman  
Attorney, Agent, or Firm—George B. White

[57] CLAIM

The ornamental design for a utility pole side insulator bracket, as shown and described.

DESCRIPTION

FIG. 1 is a rear perspective view of a utility pole side insulator bracket showing our new design.

FIG. 2 is a front perspective view of a utility pole side insulator bracket showing our new design.

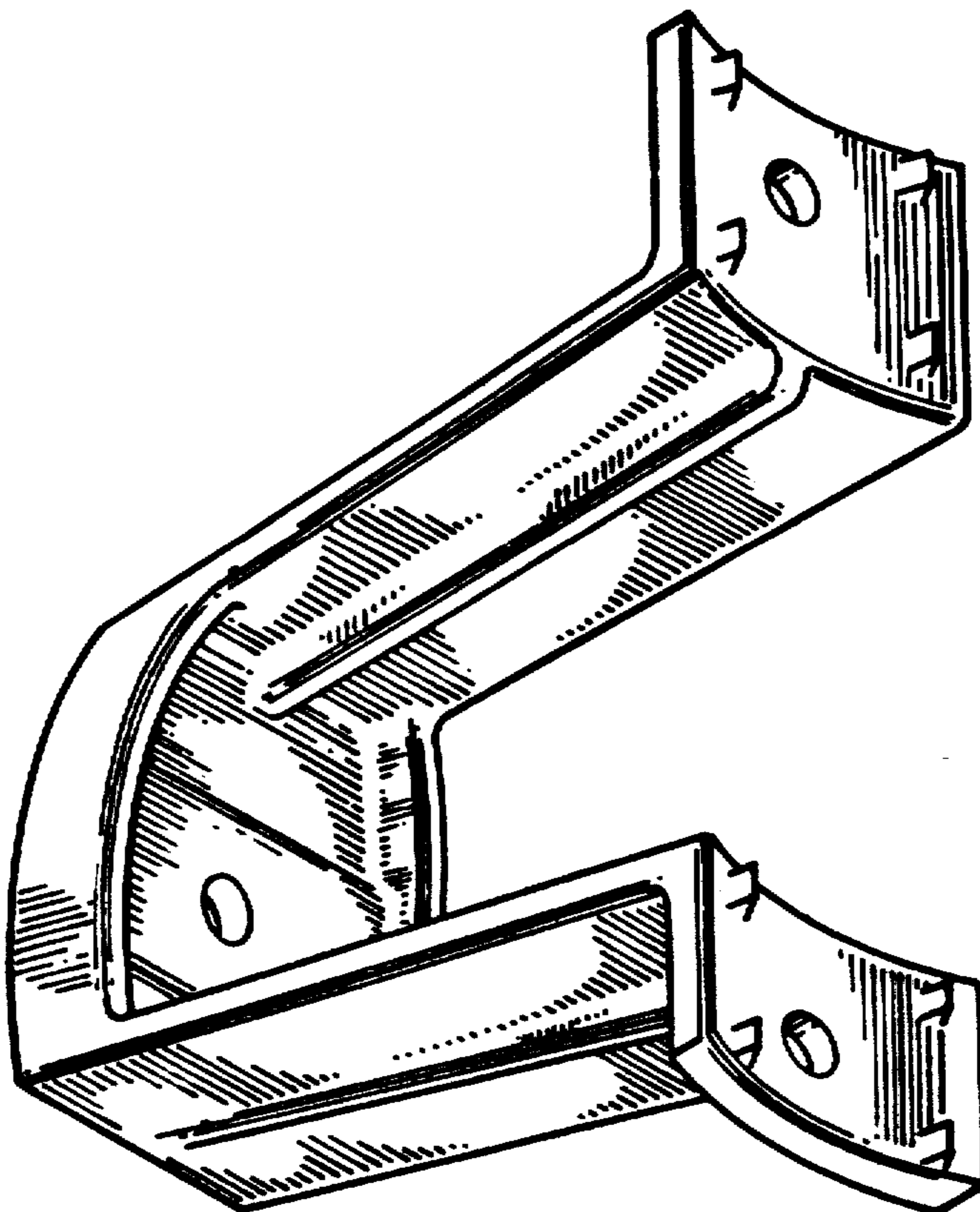


FIG. 1.

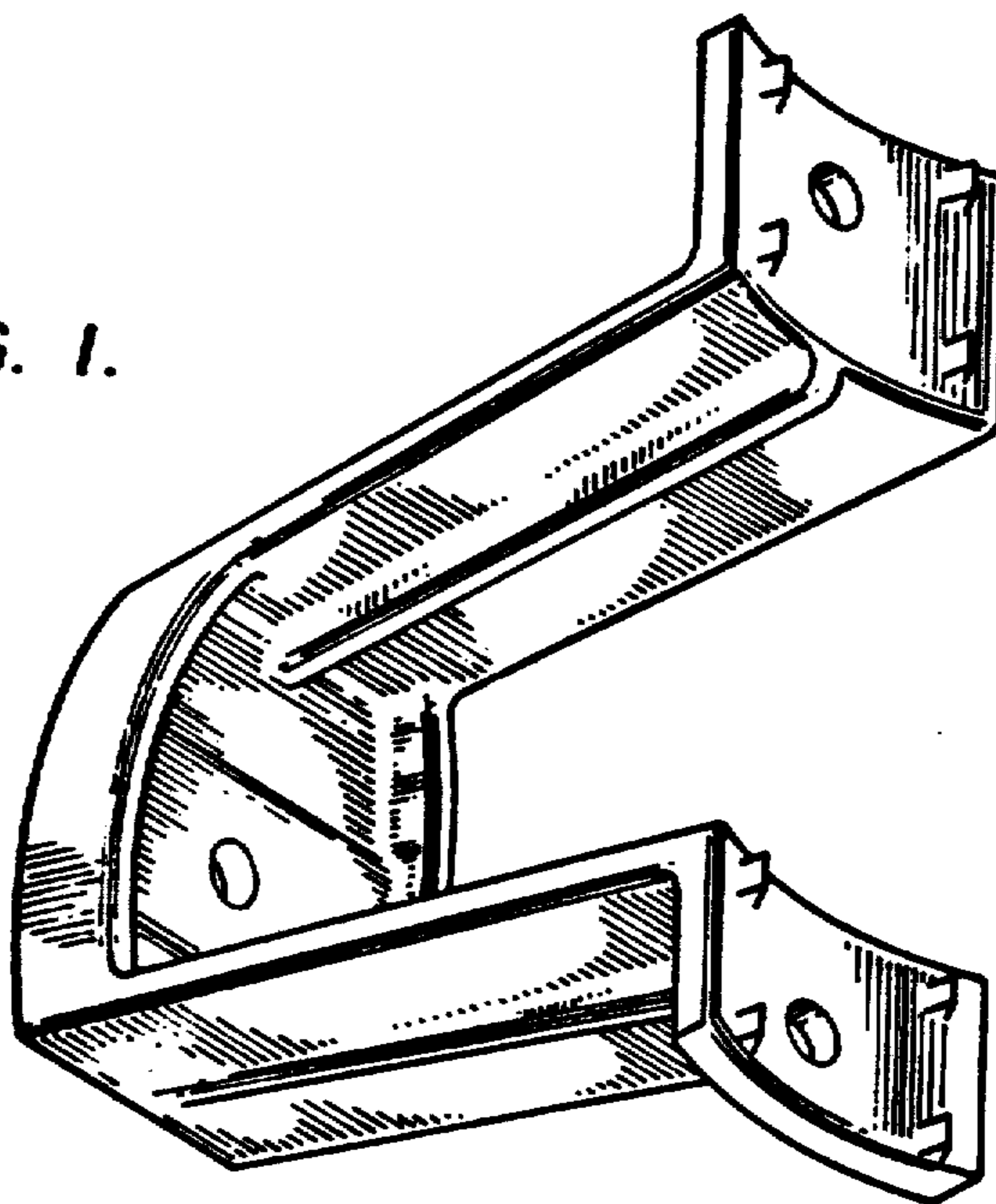


FIG. 2.

