

[54] **COMBINED SEAT AND BACKREST**
 [75] Inventor: **Gregory S. Gabourie**, Ajax, Canada
 [73] Assignee: **Global Upholstery Company Limited**, Canada
 [**] Term: **14 Years**
 [21] Appl. No.: **582,874**
 [22] Filed: **June 2, 1975**
 [51] Int. Cl. **D6-06**
 [52] U.S. Cl. **D6/197**
 [58] Field of Search **D6/26, 78, 30, 31, 47-75, D6/191, 197**

[56] **References Cited**
U.S. PATENT DOCUMENTS
 D. 135,778 6/1943 Wood D6/26

D. 150,684 8/1948 Eames D6/78
 D. 227,953 7/1973 Prizlow D6/30
 D. 234,382 2/1975 Tacke D6/30

Primary Examiner—Bruce W. Dunkins
Attorney, Agent, or Firm—J. A. Legris

[57] **CLAIM**

The ornamental design for a combined seat and backrest, as shown.

DESCRIPTION

FIG. 1 is a perspective view of a combined seat and backrest from above and one side thereof;
 FIG. 2 is a front view of a combined seat and backrest;
 and
 FIG. 3 is a perspective view of a combined seat and backrest from below and one side thereof.



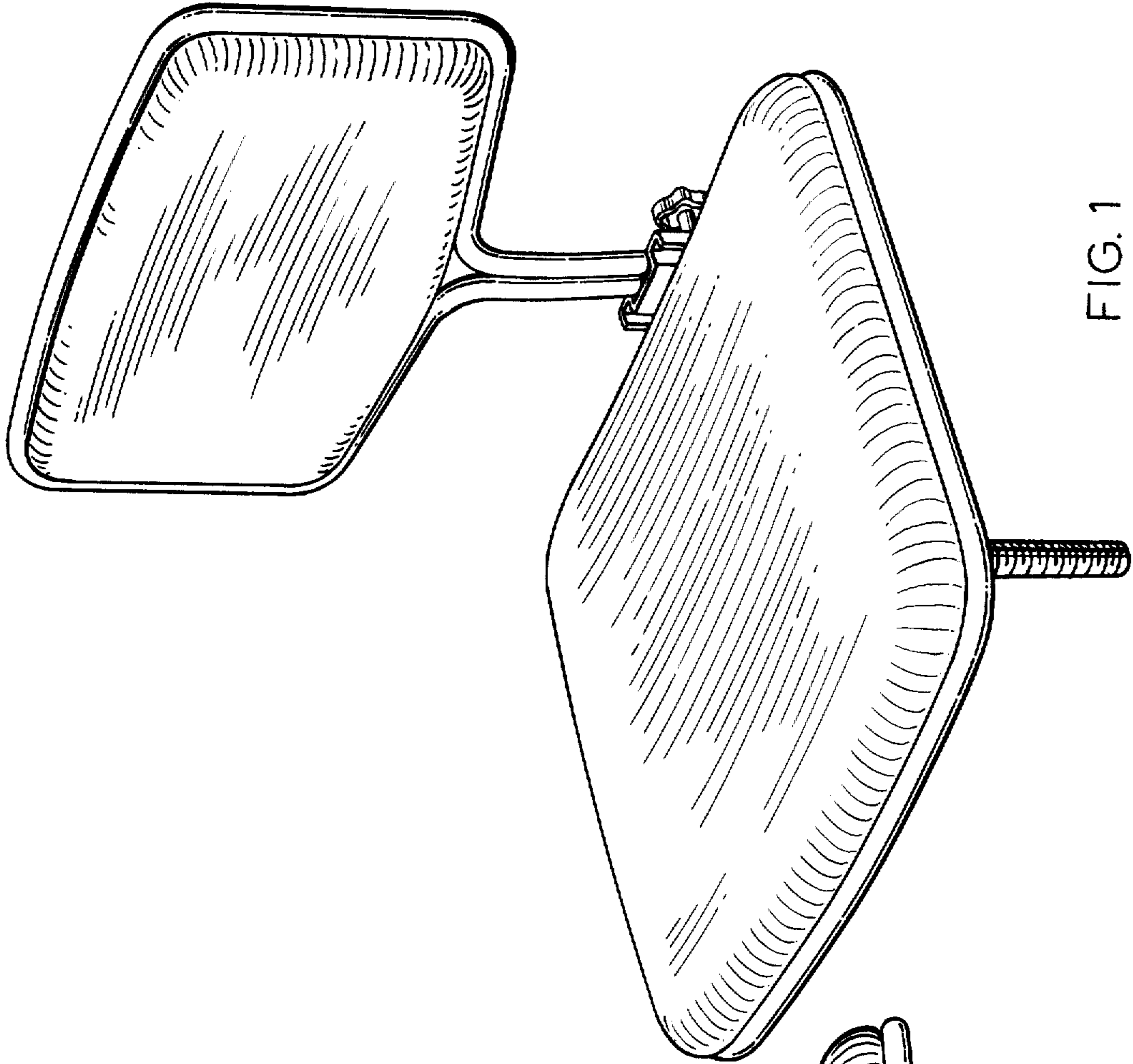


FIG. 1

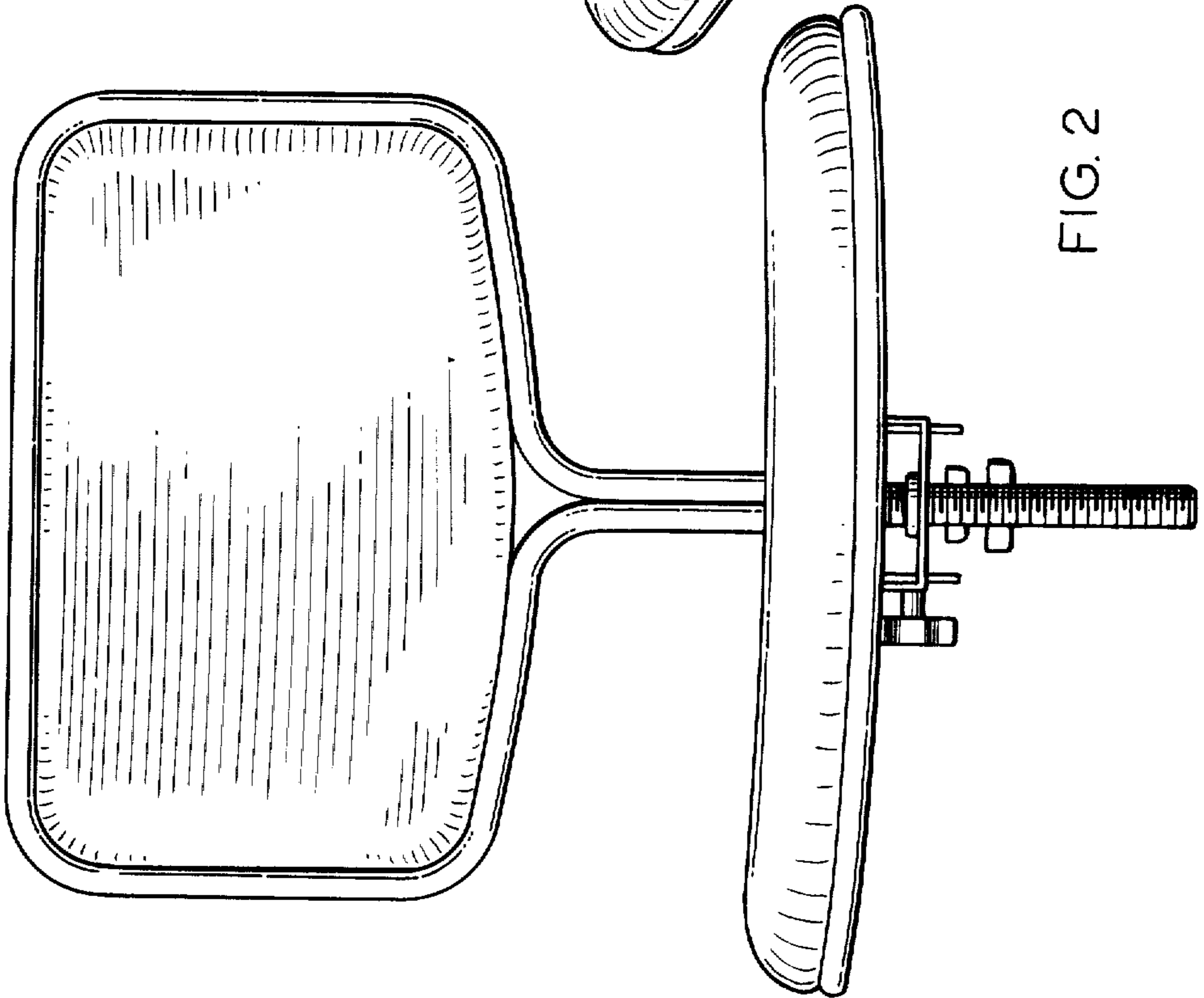


FIG. 2

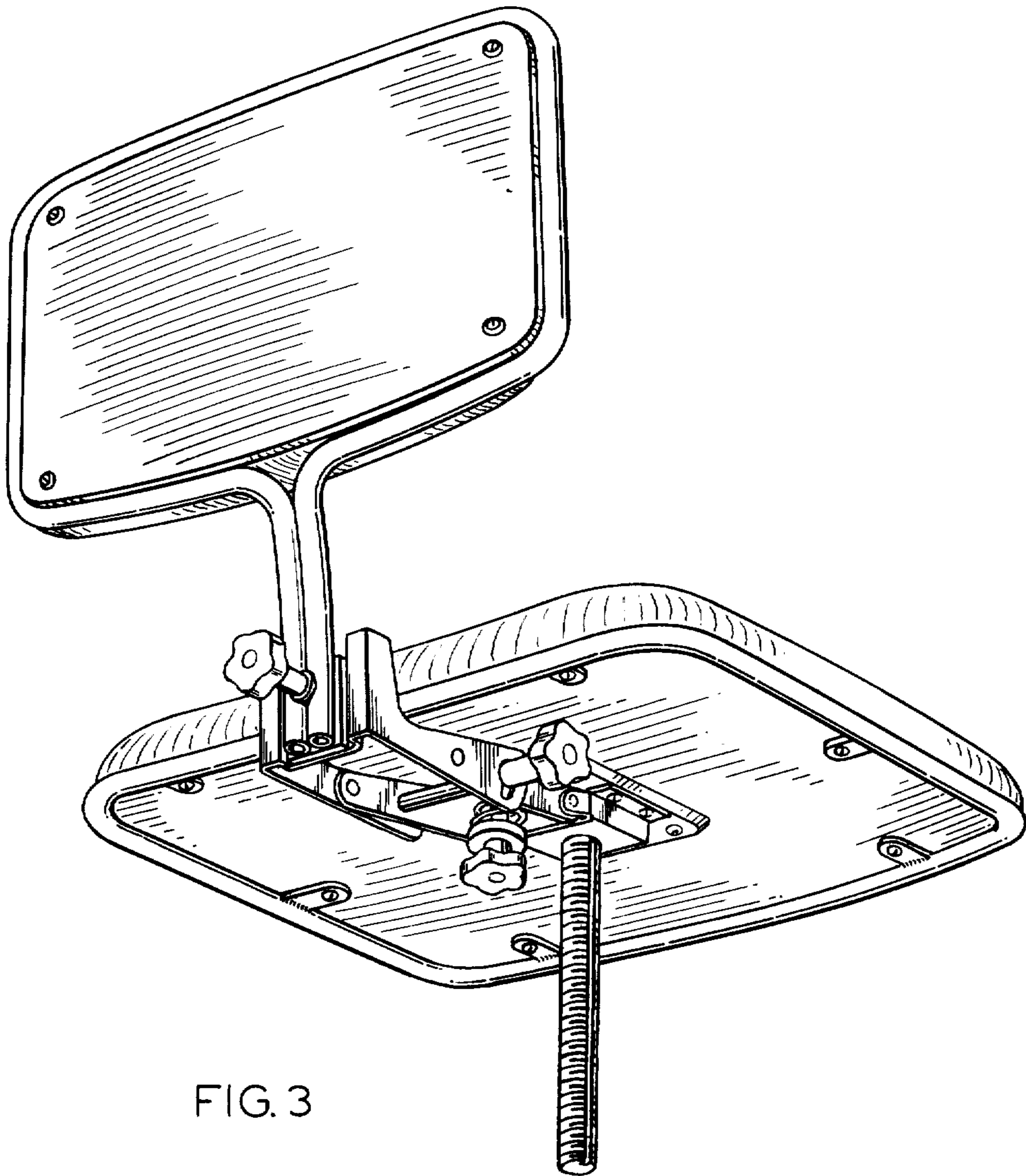


FIG. 3