

[54] STORAGE UNIT

[75] Inventor: Paul J. Neff, Mississauga, Canada

[73] Assignee: Neff Kitchen Manufacturers Limited, Brampton, Canada

[**] Term: 14 Years

[21] Appl. No.: 596,938

[22] Filed: July 18, 1975

[51] Int. Cl. D6-04

[52] U.S. Cl. D6/190

[58] Field of Search D6/80, 85, 157-175, D6/177-179, 181-189

[56] References Cited

U.S. PATENT DOCUMENTS

D. 176,276	12/1955	McMurtrie	D6/80
D. 188,938	10/1960	Tonning	D6/177 X
D. 220,441	4/1971	Beavers	D6/161
D. 220,704	5/1971	Kramer	D6/177
D. 236,786	9/1975	Smith	D6/177

OTHER PUBLICATIONS

Office Appliances, Dec. 10, 1971, p. 28, Storage Cabinet by Propper.

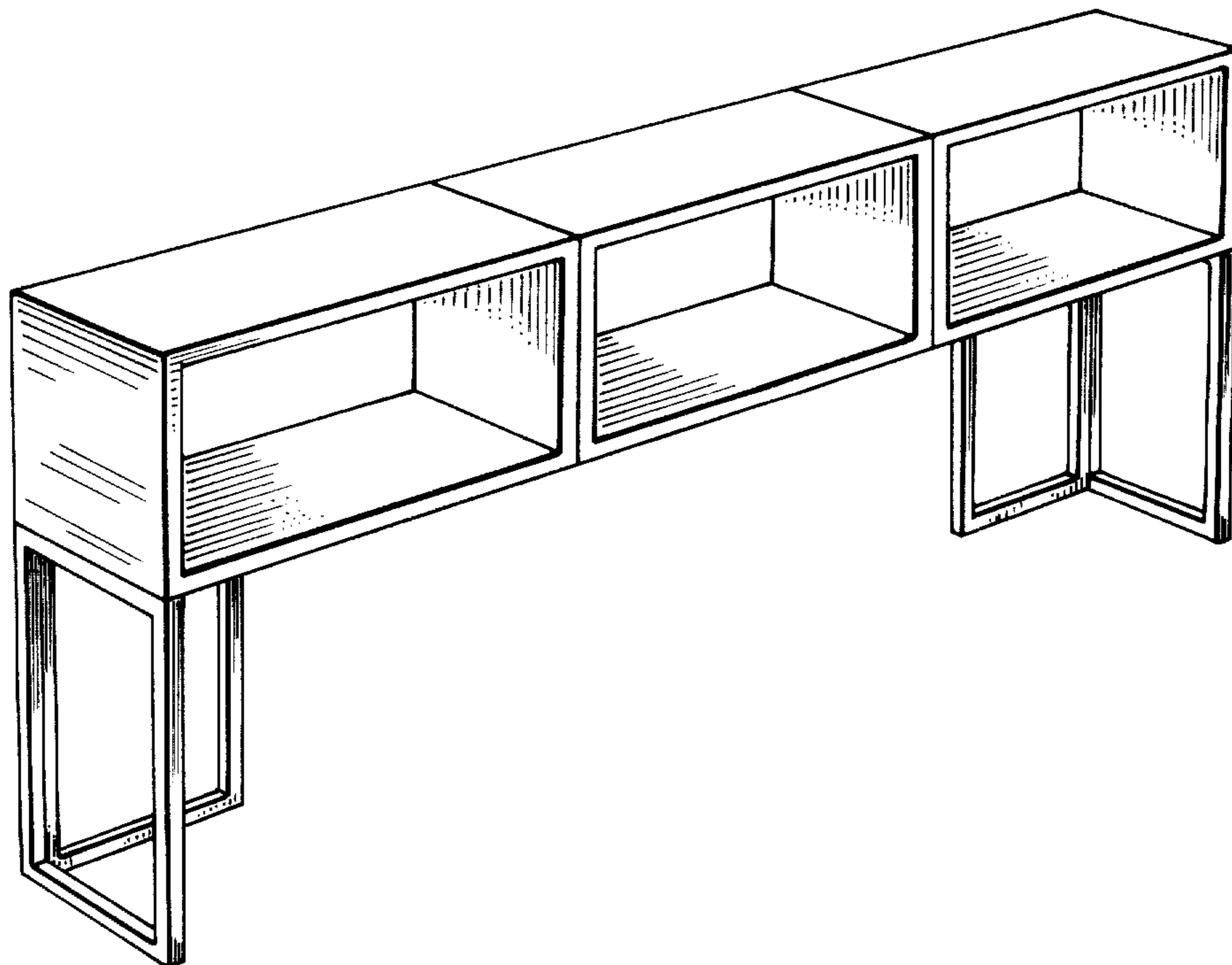
Primary Examiner—Bruce W. Dunkins
Attorney, Agent, or Firm—David M. Rogers

[57] CLAIM

The ornamental design for a storage unit, as shown.

DESCRIPTION

FIG. 1 is a front perspective view of a storage unit showing my design;
 FIG. 2 is a perspective view corresponding to FIG. 1 from the rear and the opposite end, viewed from below;
 FIG. 3 is a front perspective view of a storage unit showing a second embodiment of my design;
 FIG. 4 is a perspective view corresponding to FIG. 3 from the rear and opposite end, viewed from below;
 FIG. 5 is a front perspective view of a storage unit showing the third embodiment of my design; and,
 FIG. 6 is a perspective view corresponding to FIG. 5 from the rear and opposite end, viewed from below.



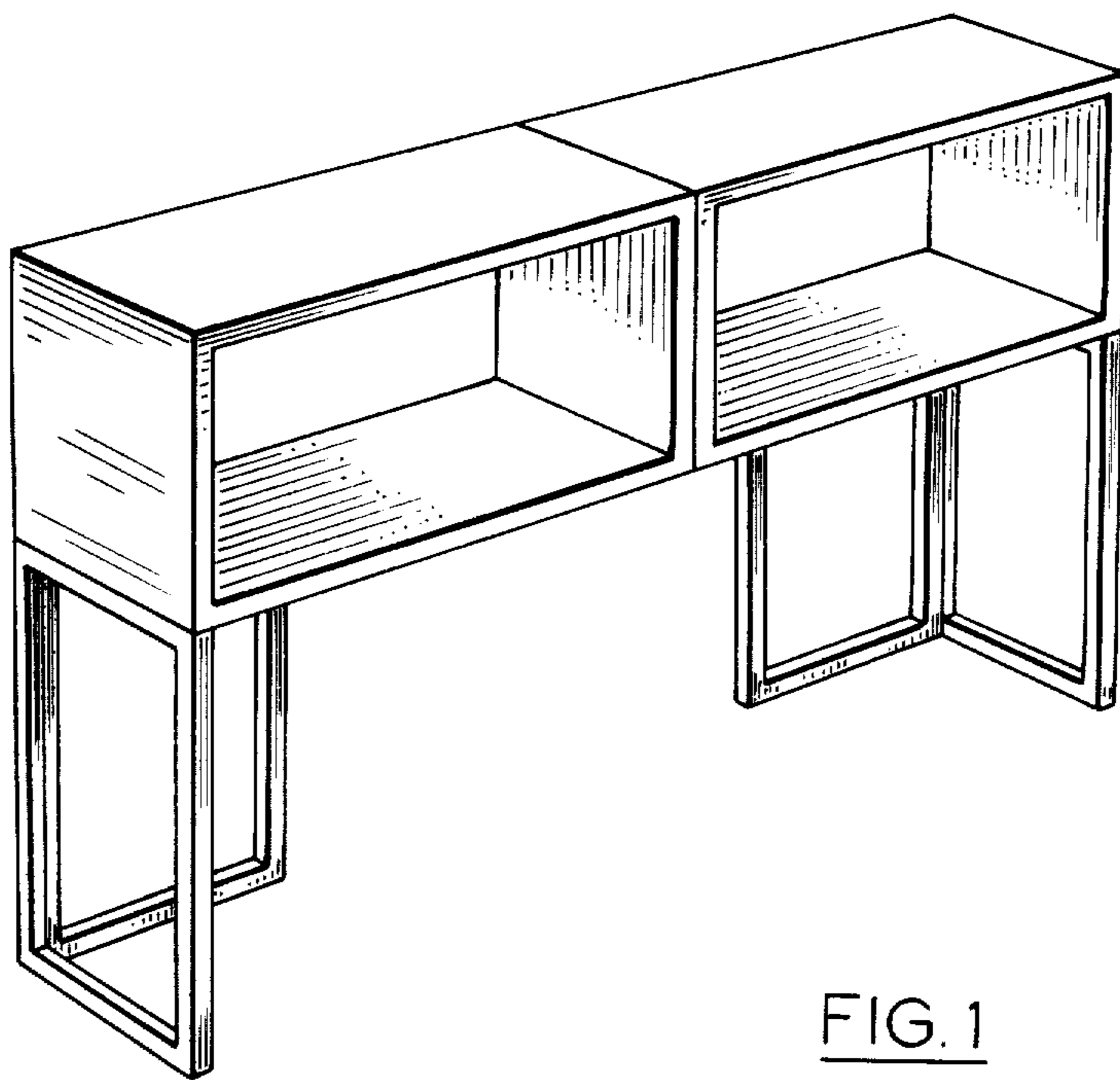


FIG. 1

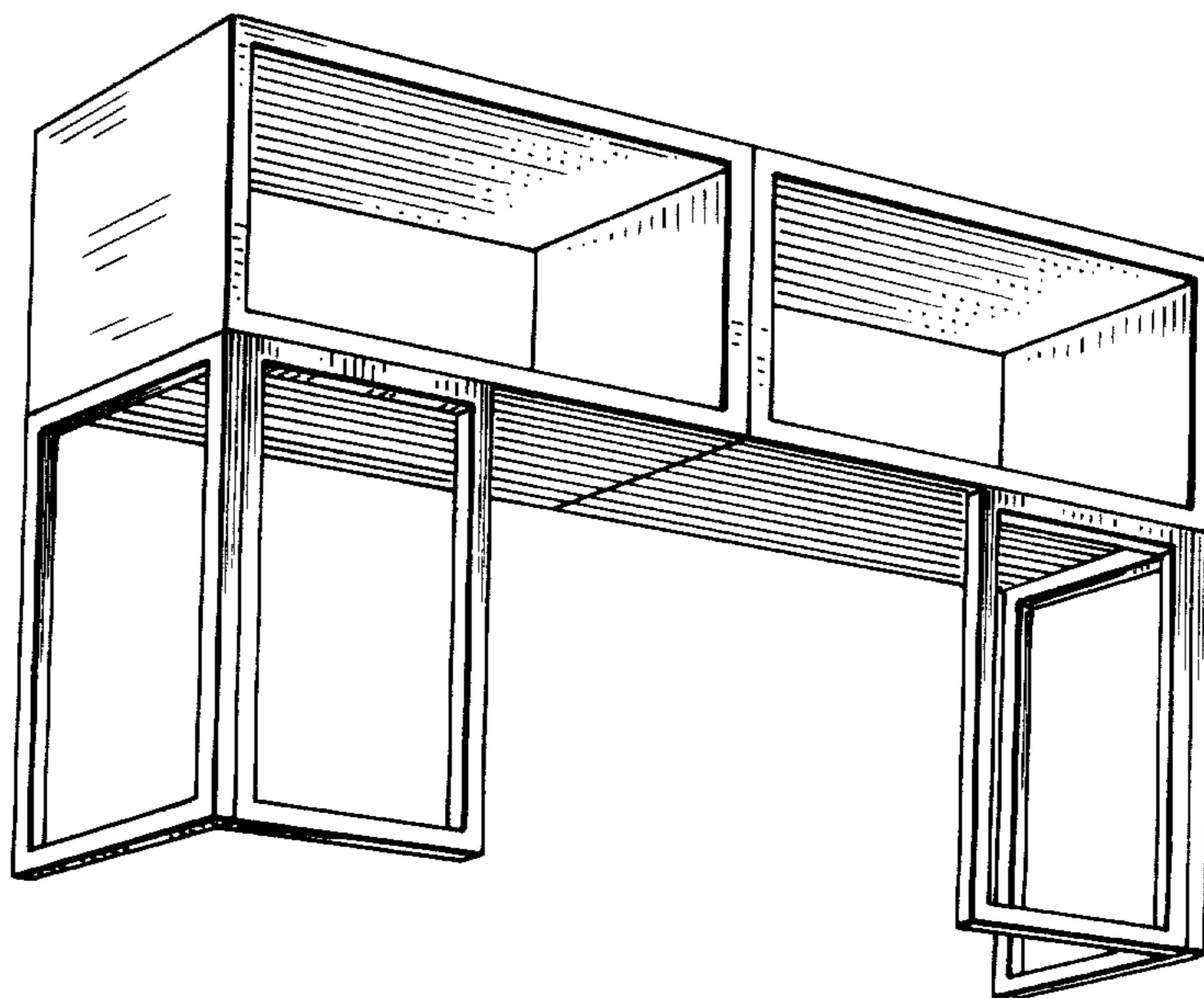


FIG. 2

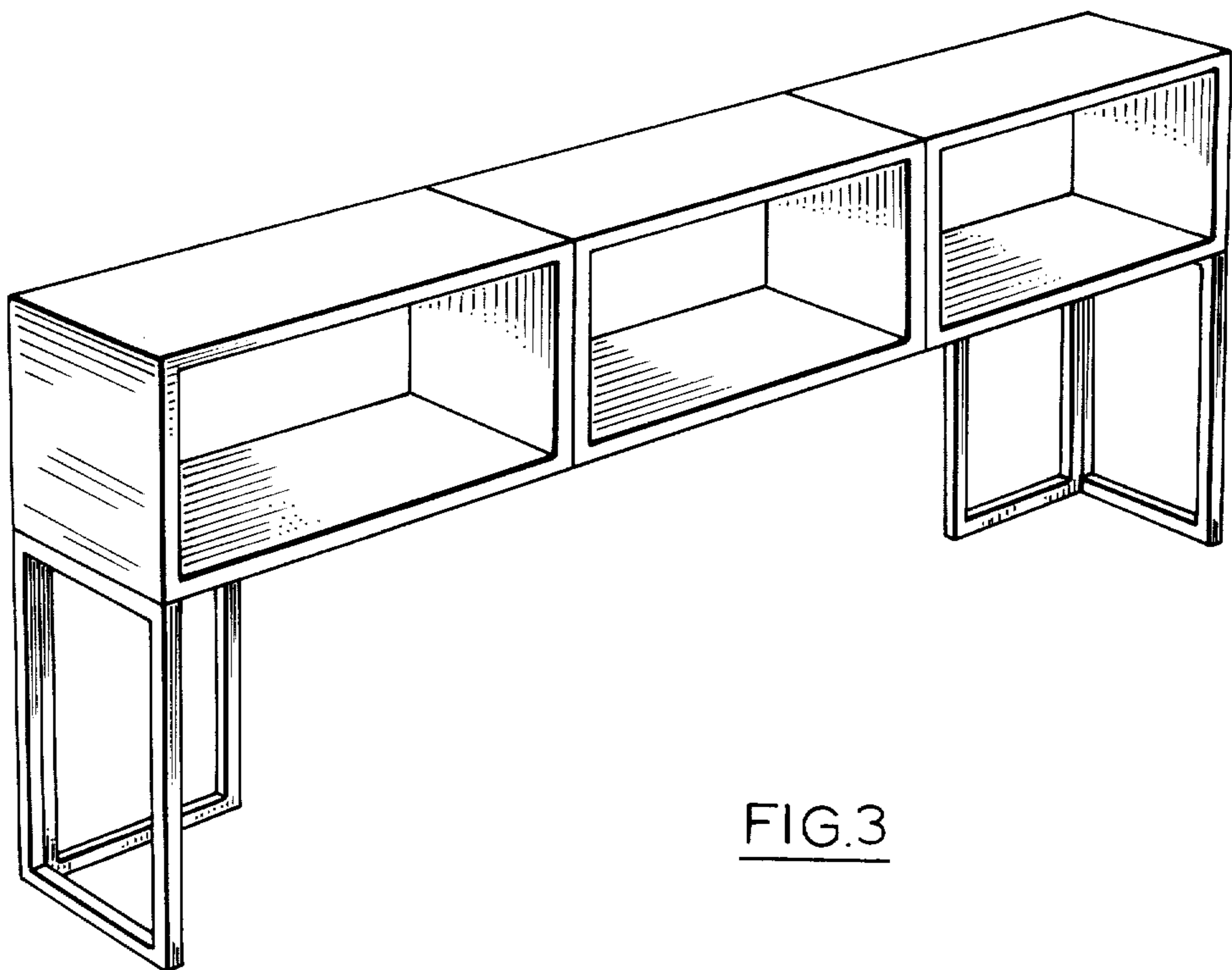


FIG.3

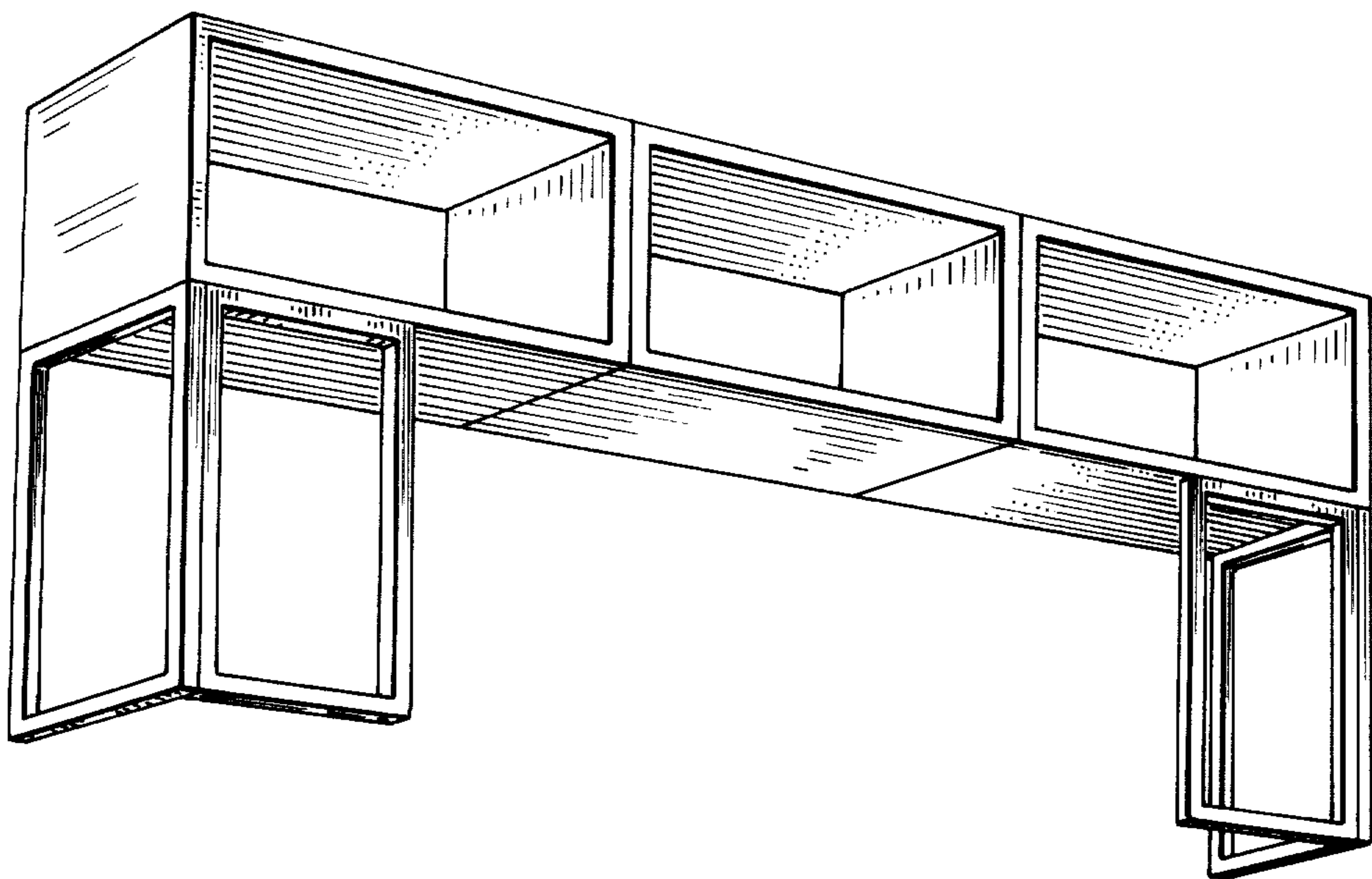


FIG.4

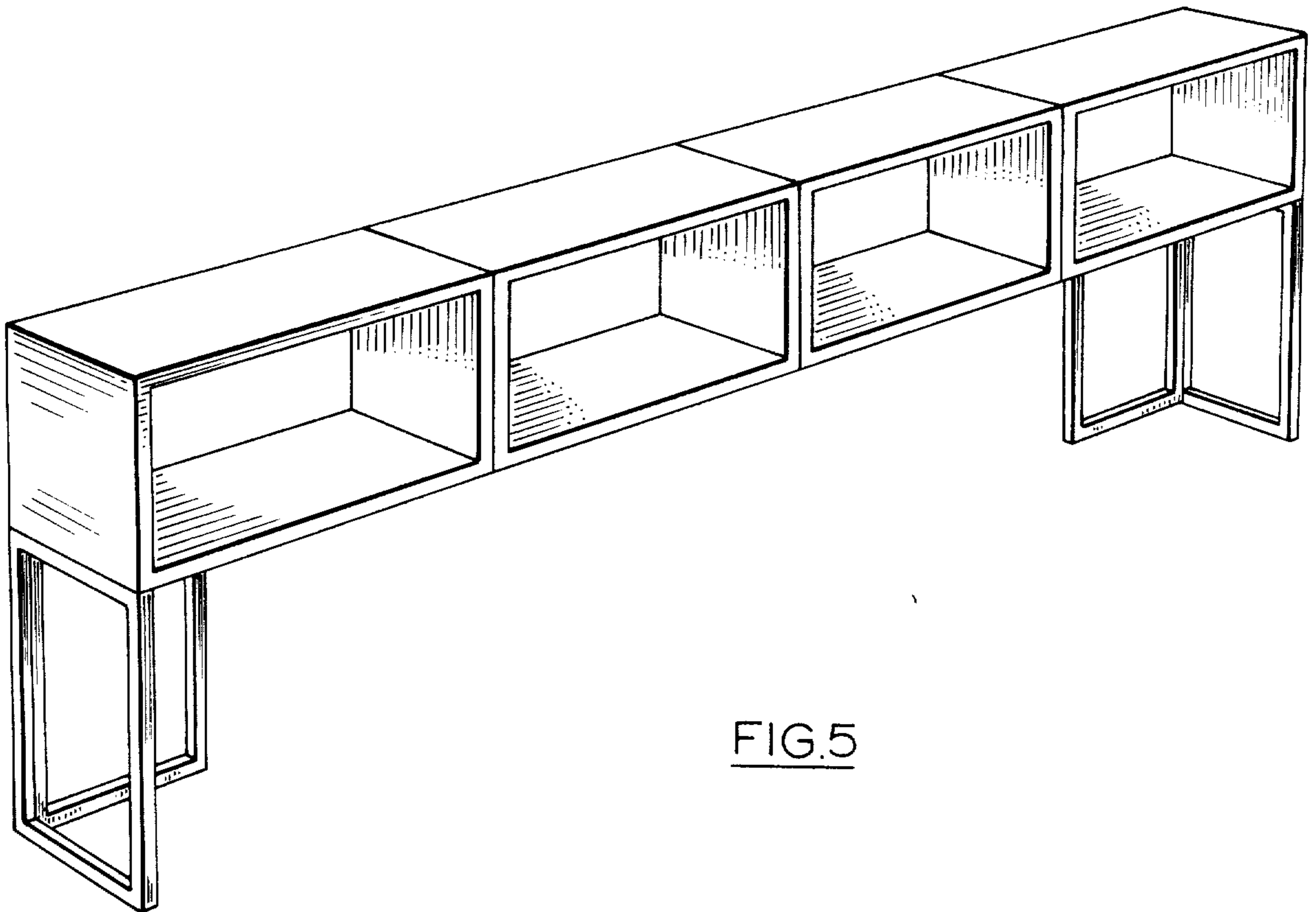


FIG. 5

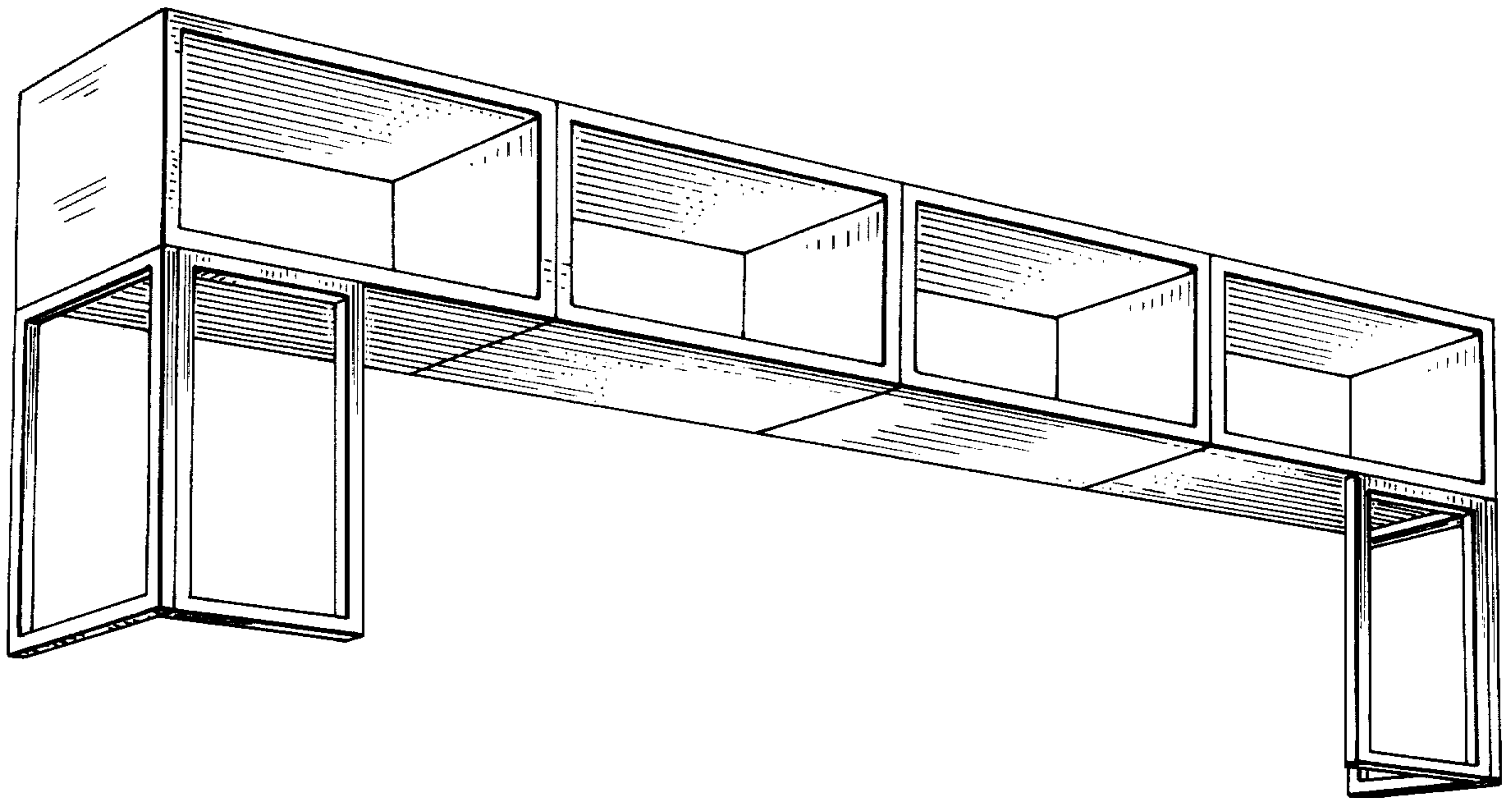


FIG. 6