

- [54] ARTICLE DISPLAY STAND
- [75] Inventors: **Roger G. Ferriter**, Yonkers; **Fred Howard**, New York, both of N.Y.
- [73] Assignee: **Wix Corporation**
- [\*\*] Term: **14 Years**
- [21] Appl. No.: **683,841**
- [22] Filed: **May 6, 1976**
- [51] Int. Cl. .... **D6-04; D20-02**
- [52] U.S. Cl. .... **D6/188**
- [58] Field of Search ..... **D6/20, 23-29, D6/85, 141, 146, 157, 177, 179-189; 211/13, 34, 36, 42, 126, 128, 134, 135, 144, 163; 108/92, 93**

- D. 148,859 3/1948 Irwin ..... D6/189
- D. 239,993 5/1976 Leath ..... D6/85

**FOREIGN PATENT DOCUMENTS**

- 869,748 1961 United Kingdom ..... 211/144

*Primary Examiner*—Wallace R. Burke  
*Assistant Examiner*—B. J. Bullock  
*Attorney, Agent, or Firm*—John F. Smith

[57] **CLAIM**

The ornamental design for an article display stand, substantially as shown and described.

**DESCRIPTION**

FIG. 1 is a front perspective view of an article display stand showing our new design;  
 FIG. 2 is a rear elevational view thereof;  
 FIG. 3 is a top plan view thereof;  
 FIG. 4 is a front elevational view thereof;  
 FIG. 5 is a side elevational view taken from the right of FIG. 4.

[56] **References Cited**  
**U.S. PATENT DOCUMENTS**

- 1,717,943 6/1929 Smith ..... D6/186
- D. 77,643 2/1929 Kearns ..... D6/85
- D. 97,683 12/1935 Roach ..... D6/186

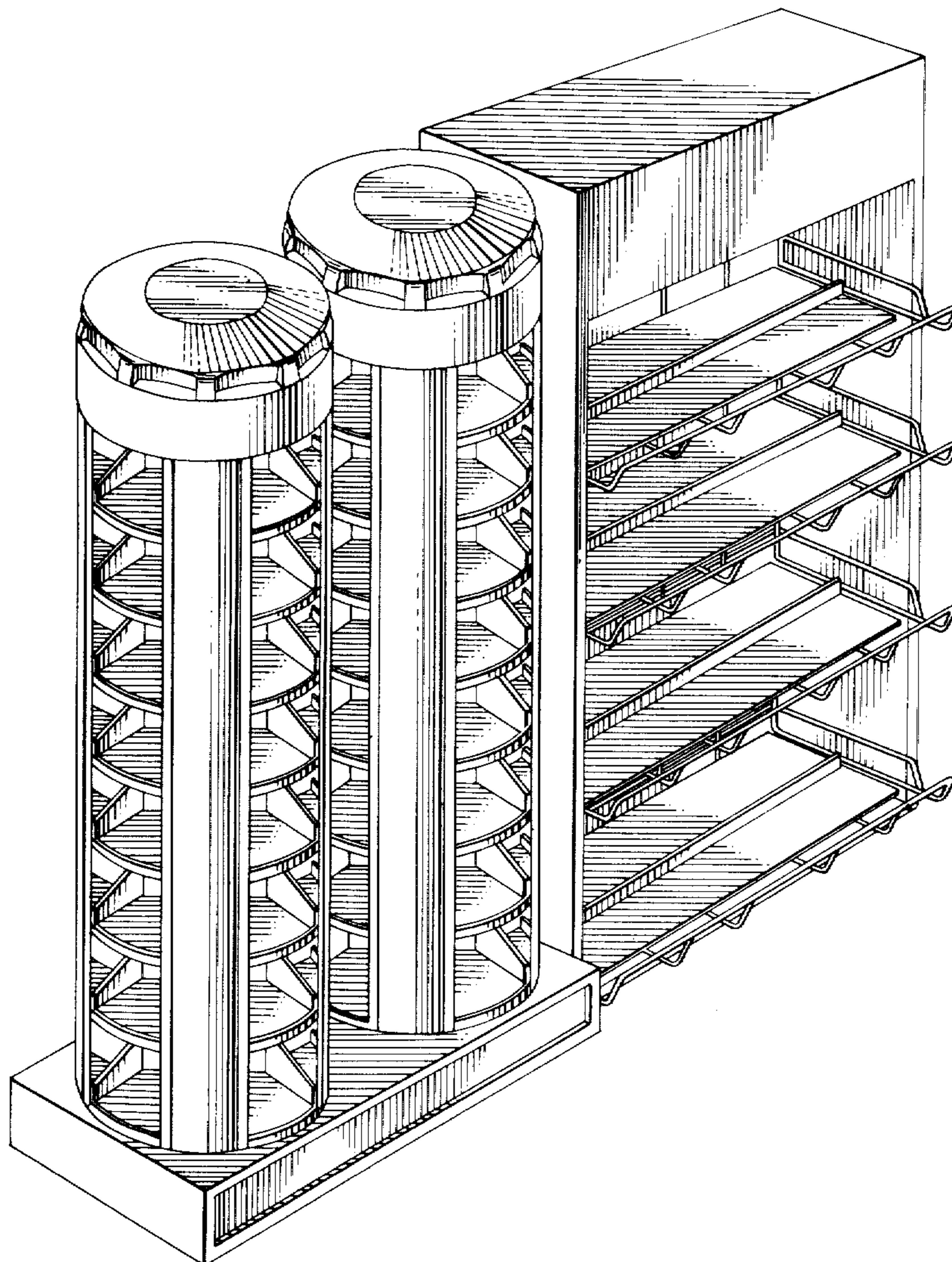


FIG. 1.

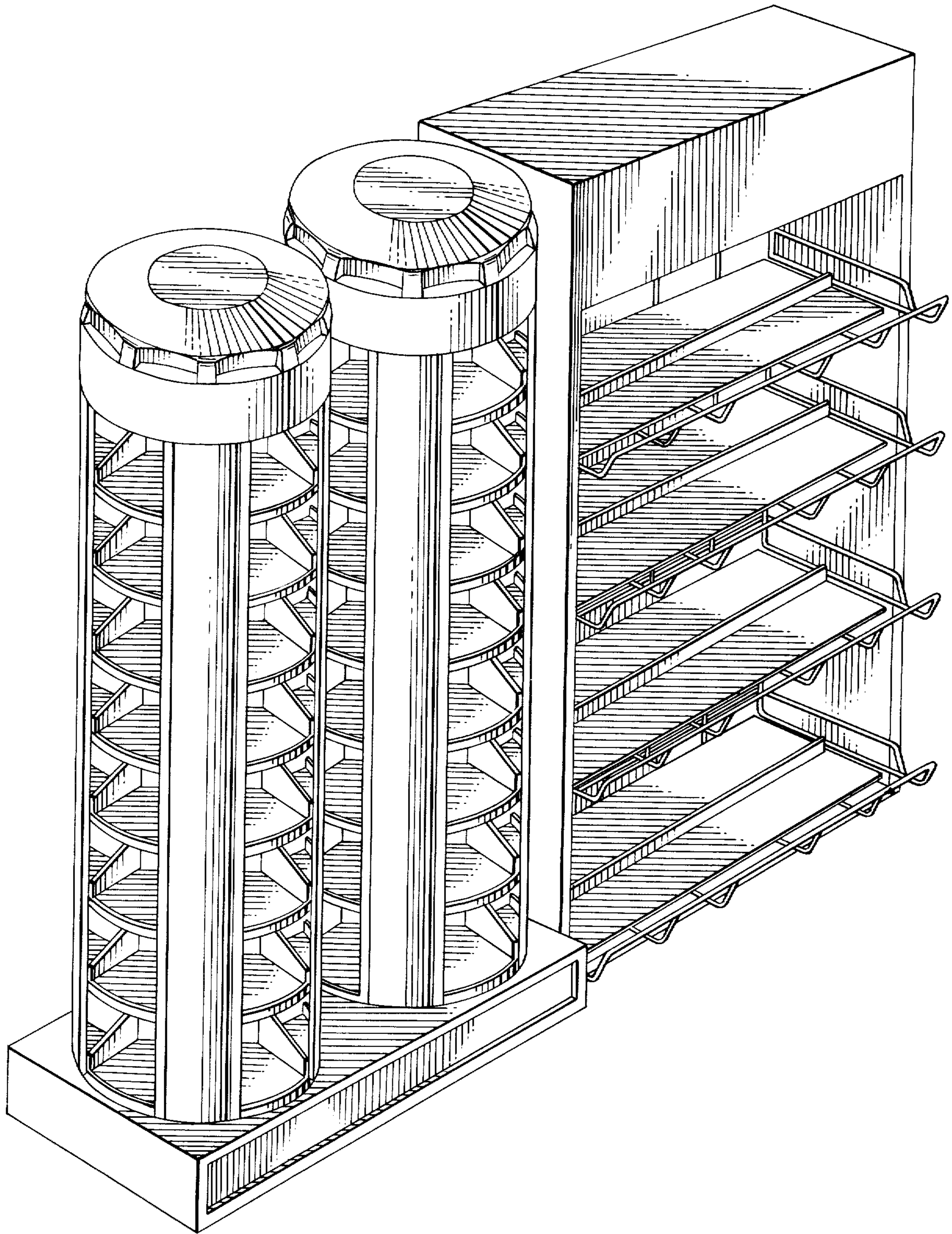


FIG. 2.

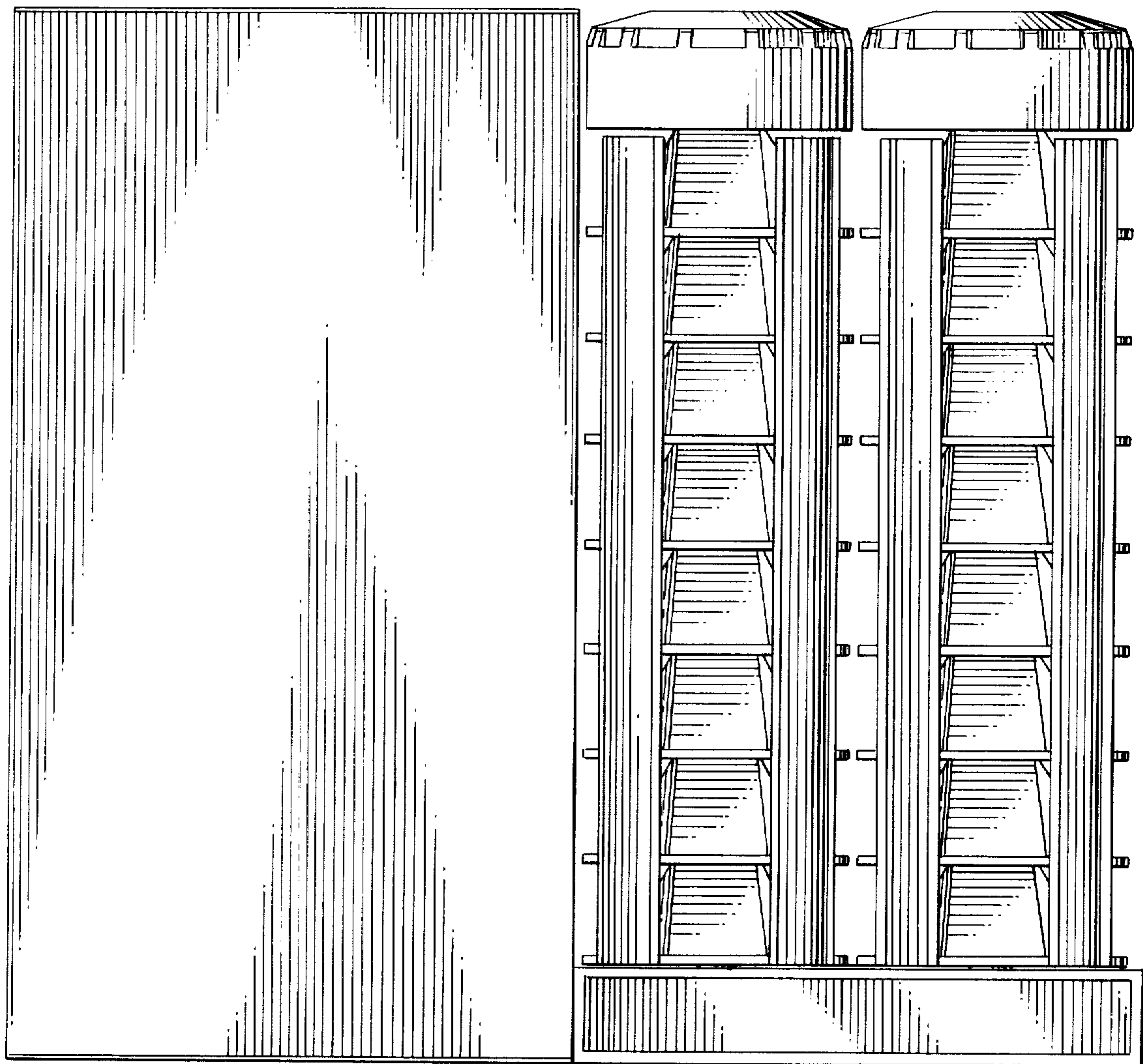


FIG. 3.

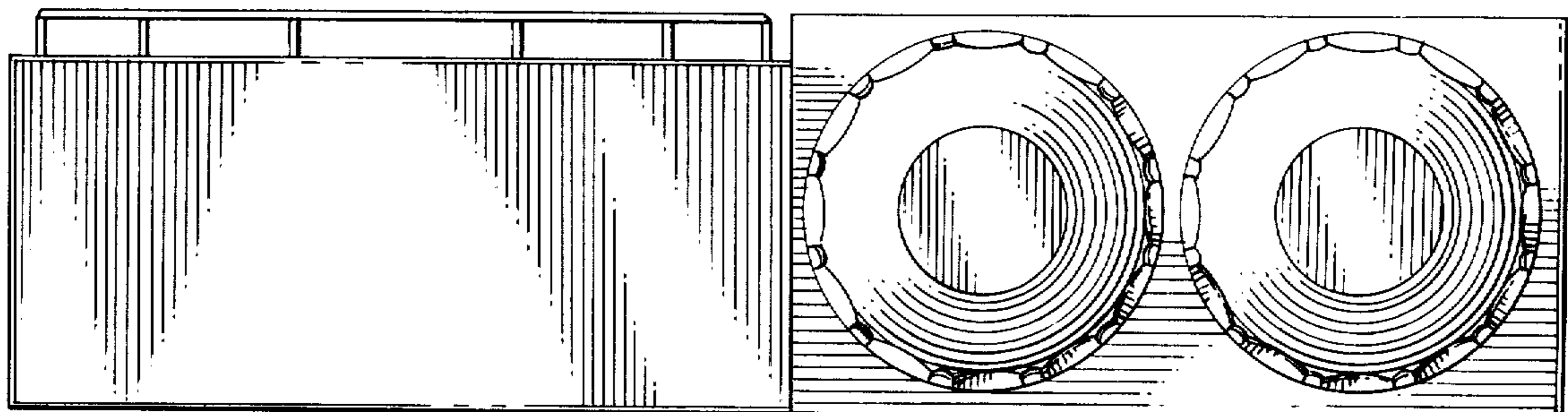


FIG. 5.

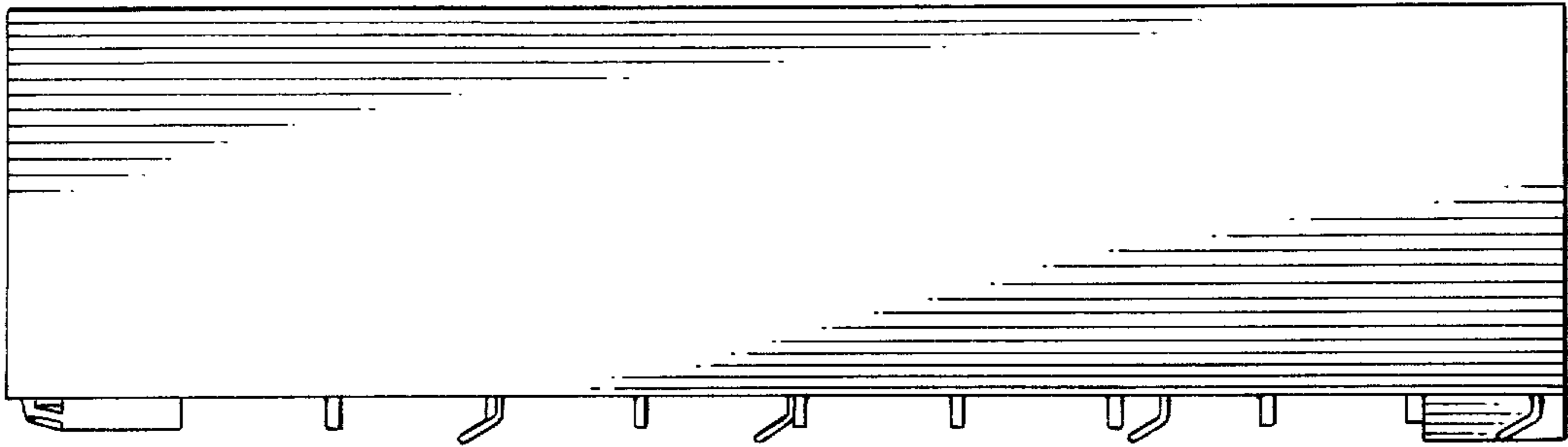


FIG. 4.

