

[54] **PLANT GROWTH APPARATUS**
 [76] Inventor: **R. Louis Ware**, 2108 Middlefork Road, Ill. 60093
 [**] Term: **14 Years**
 [21] Appl. No.: **618,896**
 [22] Filed: **Oct. 2, 1975**
 [51] Int. Cl. **D6-99**
 [52] U.S. Cl. **D6/183**
 [58] **Field of Search** D48/20 E, 20 H; D12/29, D12/25; D35/3 R, 3 A; D6/27, 177, 183; 119;5;61/; 211/133, 148; 47/18, 39, 1.2; 240/81; 108/59, 23

3,664,063 5/1972 Ware 47/39
 D. 209,768 1/1968 Rasmussen D35/3 R
 D. 220,325 3/1971 Ott et al. D32/2 C
 D. 236,569 9/1975 Kramer D6/182

Primary Examiner—Bernard Ansher
Attorney, Agent, or Firm—Dale H. Hoscheit and Rodger L. Tate

[57] **CLAIM**

The ornamental design for a plant growth apparatus, as shown and described.

DESCRIPTION

FIG. 1 is a perspective view of a plant growth apparatus showing the new design; and
 FIGS. 2, 3 and 4 are, respectively, front, end and top views of the design shown in FIG. 1.
 FIG. 5 is a horizontal sectional view taken along line 5-5 of FIG. 2.

[56] **References Cited**
U.S. PATENT DOCUMENTS
 2,938,632 5/1960 Mondineu D12/29 UX
 3,314,192 4/1967 Park 47/39 X

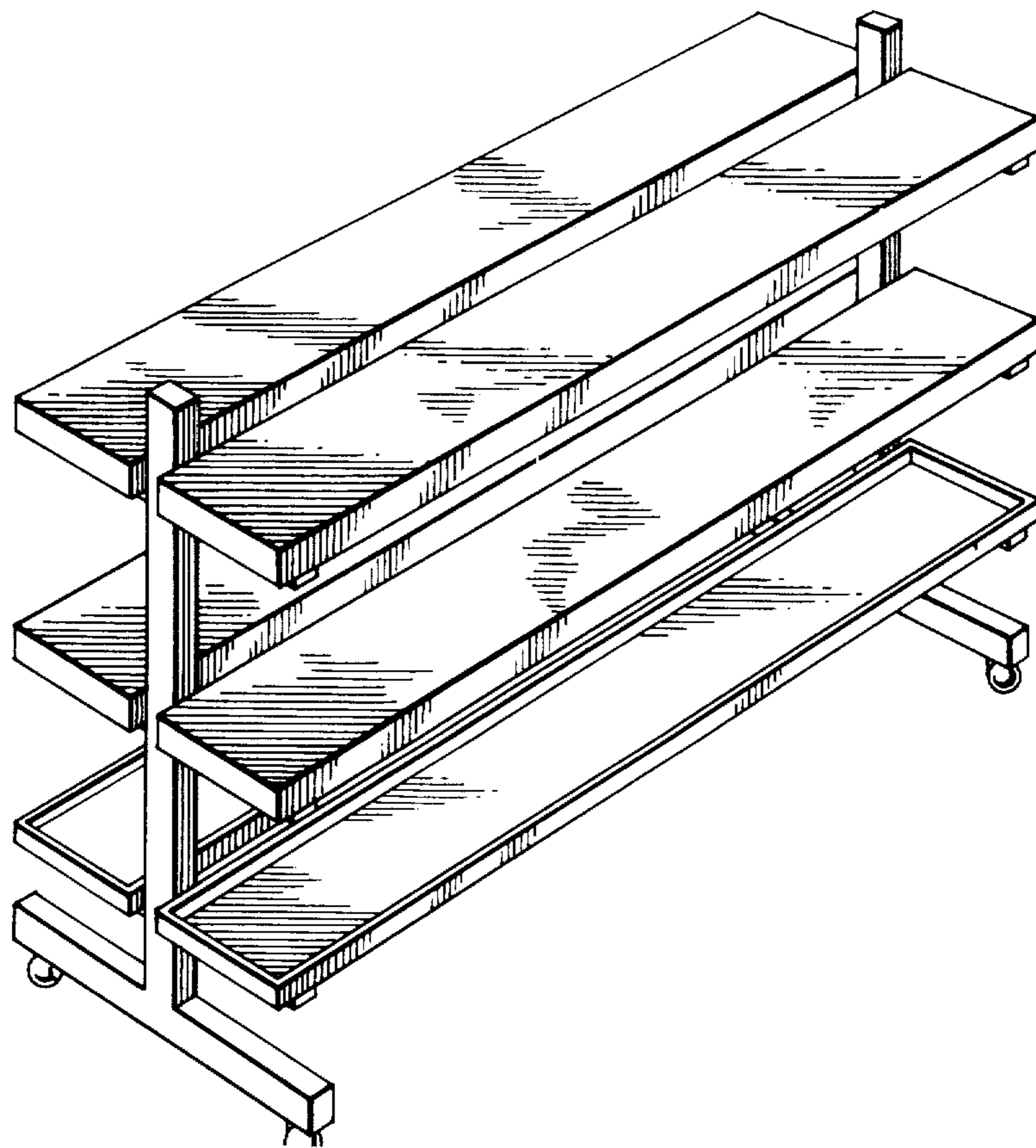


FIG. 1

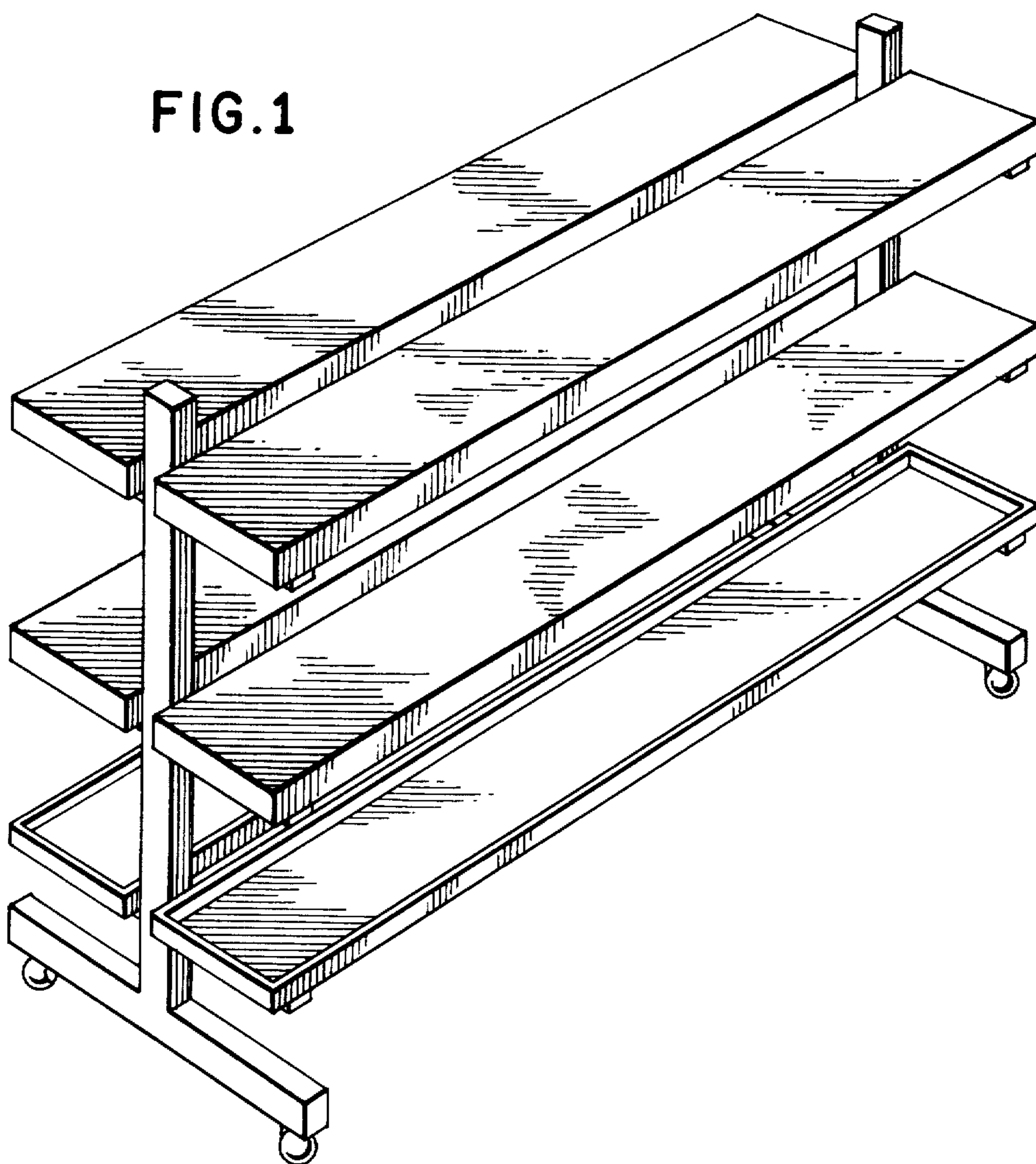


FIG. 5



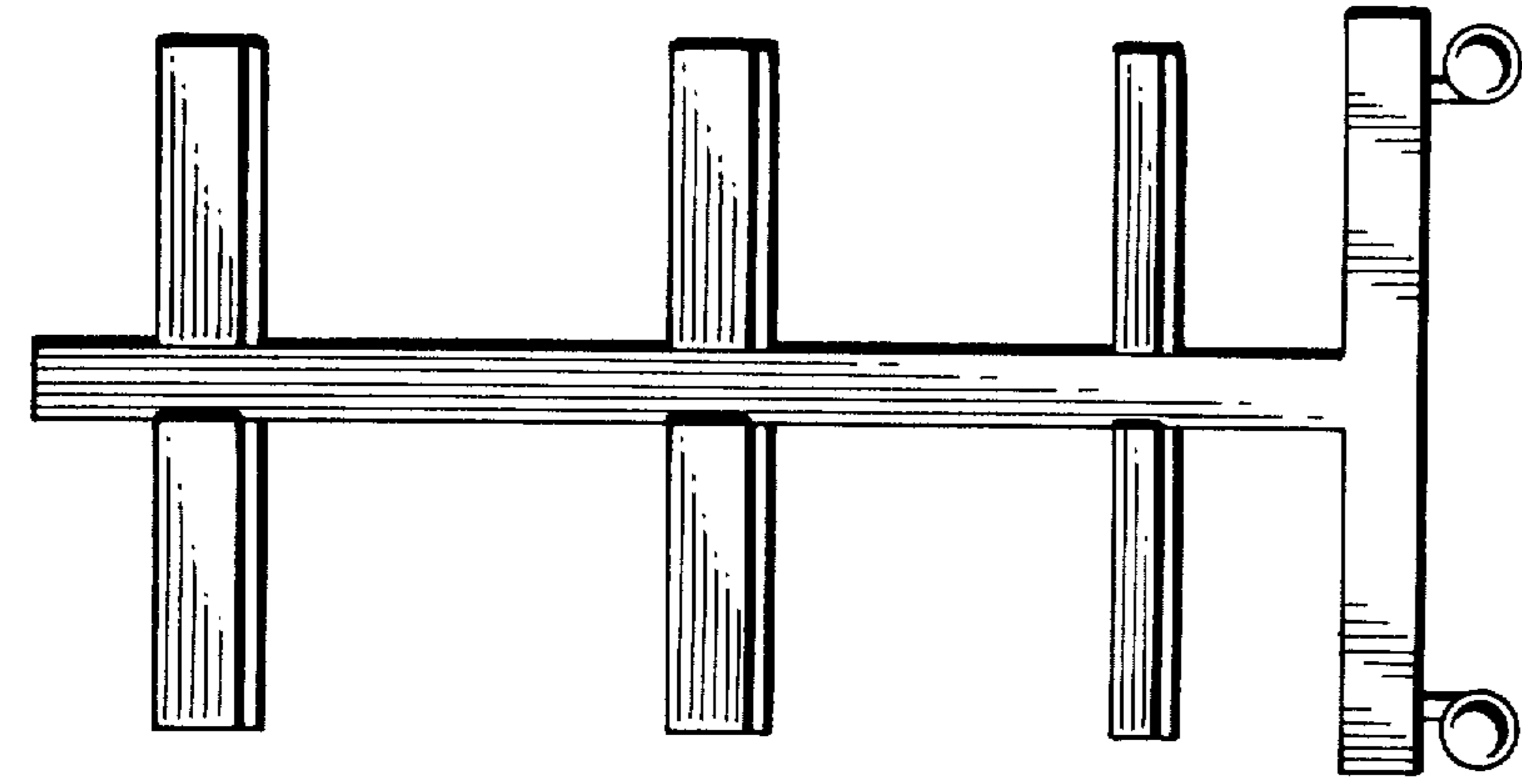


FIG. 3

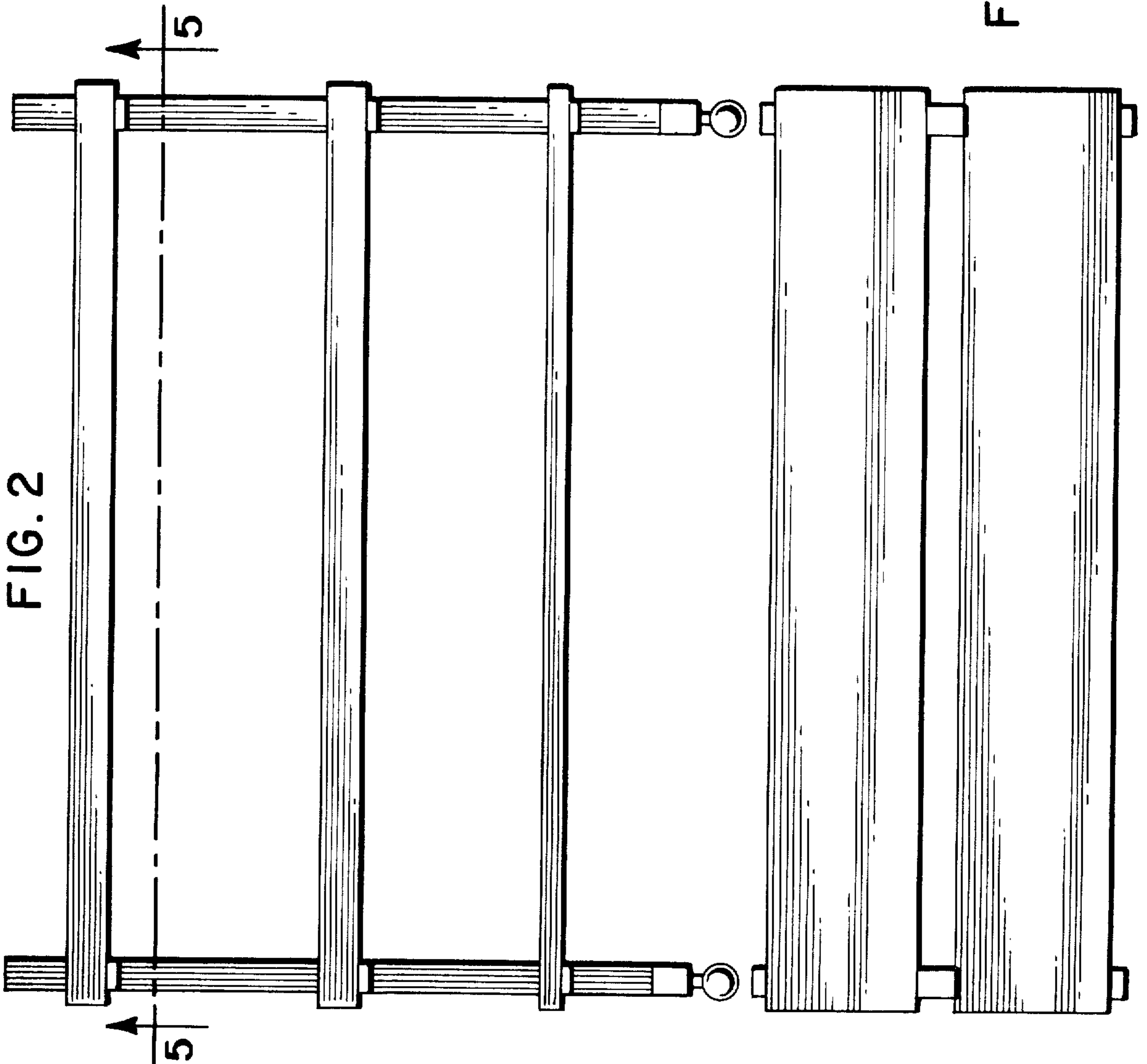


FIG. 2

FIG. 4