

[54] PLANT GROWTH APPARATUS  
[76] Inventor: R. Louis Ware, 2108 Middlefork Road, Northfield, Ill. 60093

3,664,063 5/1972 Ware ..... 47/39  
D. 209,768 1/1968 Rasmussen ..... D35/3 R  
D. 220,325 3/1971 Ott et al. .... D32/2 C  
D. 236,569 9/1975 Kramer ..... D6/182

[\*\*] Term: 14 Years

Primary Examiner—Bernard Ansher  
Attorney, Agent, or Firm—Dale H. Hoscheit and Rodger L. Tate

[21] Appl. No.: 618,894

[22] Filed: Oct. 2, 1975

[51] Int. Cl. .... D6—99

[57] CLAIM

[52] U.S. Cl. .... D6/183

The ornamental design for a plant growth apparatus, as shown and described.

[58] Field of Search ..... D48/20 E, 20 H; D6/27, D6/177, 183; D12/29, 25; D35/3 R, 3 A; 211/133, 148; 47/18, 1.2, 39; 240/81; 108/59, 23; 119/5, 61

DESCRIPTION

[56] References Cited

FIG. 1 is a perspective view of a plant growth apparatus showing the new design;  
FIG. 2 is a top plan view thereof;  
FIG. 3 is a side elevation thereof;  
FIG. 4 is an end elevation thereof; and  
FIG. 5 is a bottom plan view.

U.S. PATENT DOCUMENTS

2,938,632 5/1960 Mondineu ..... D12/29 UX  
3,314,192 4/1967 Park ..... 47/39 X

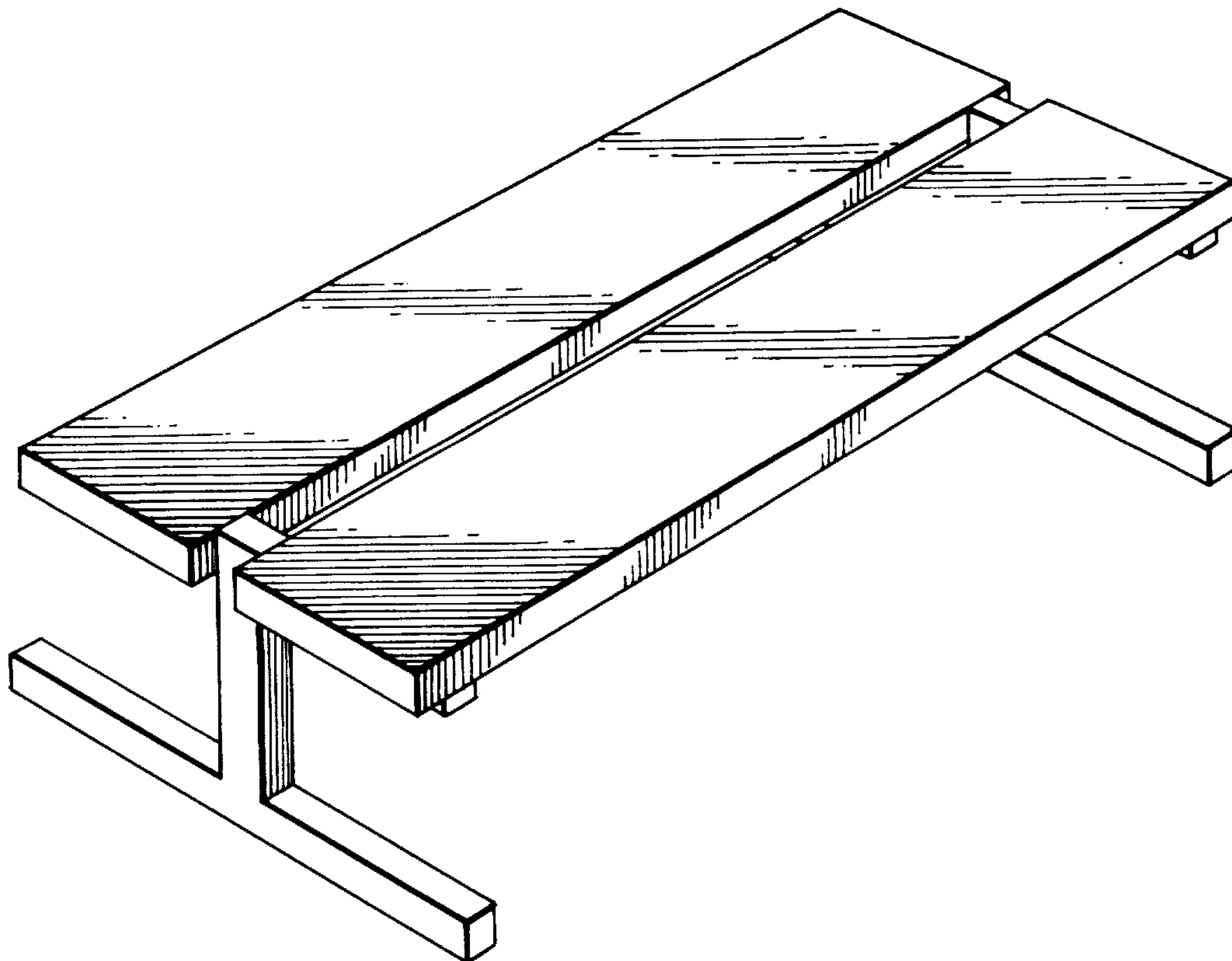


FIG. 1

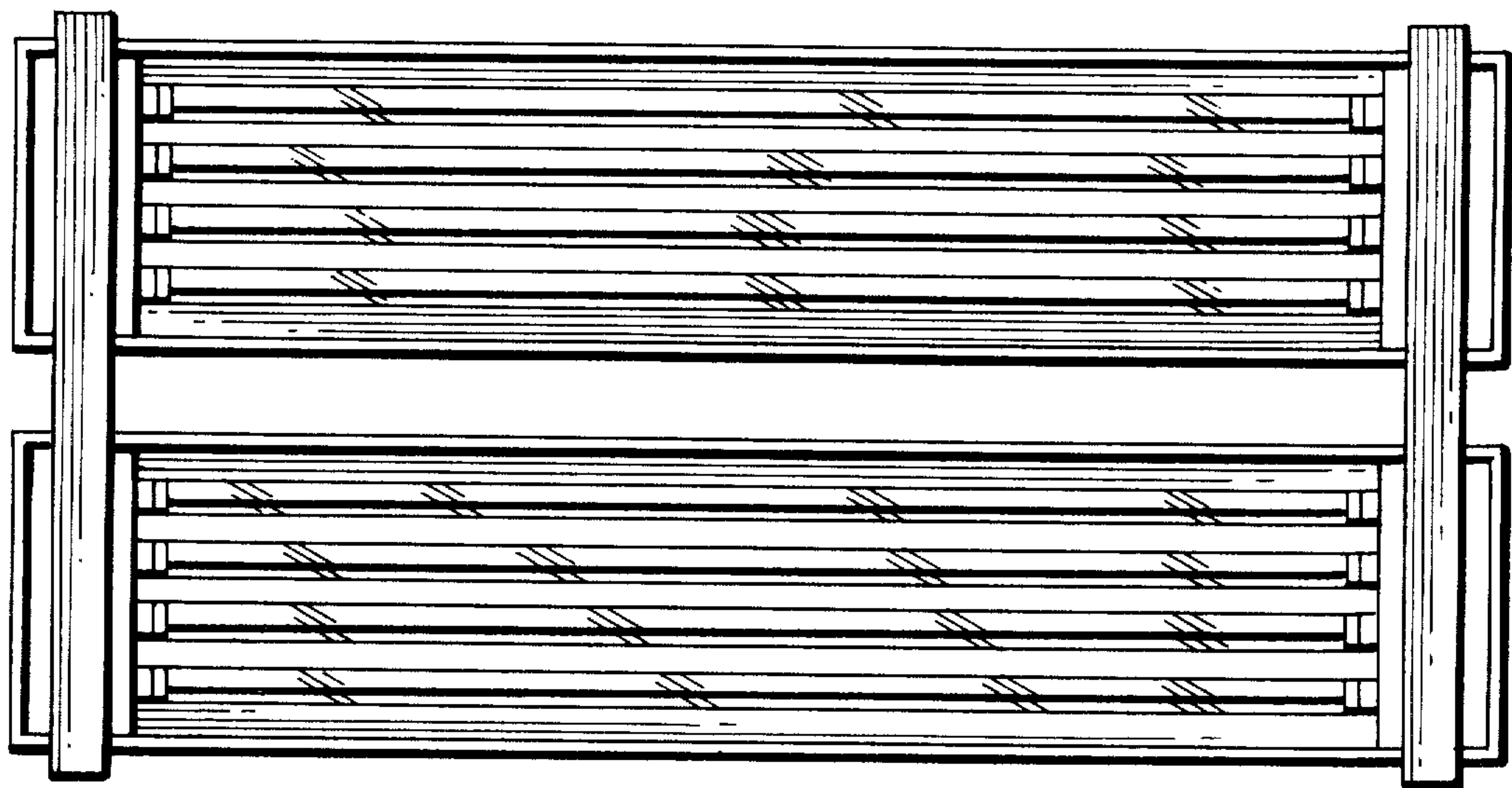
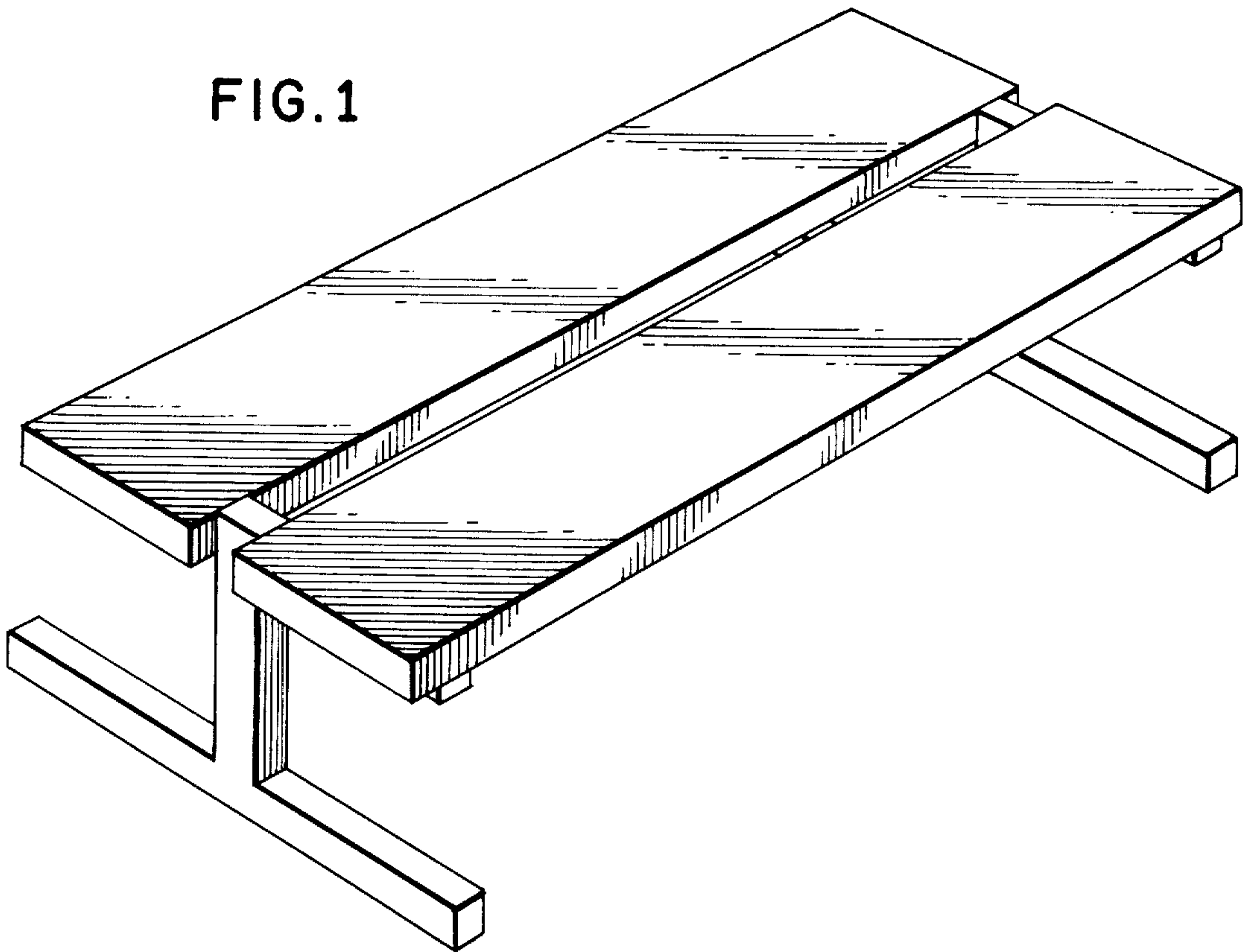


FIG. 5

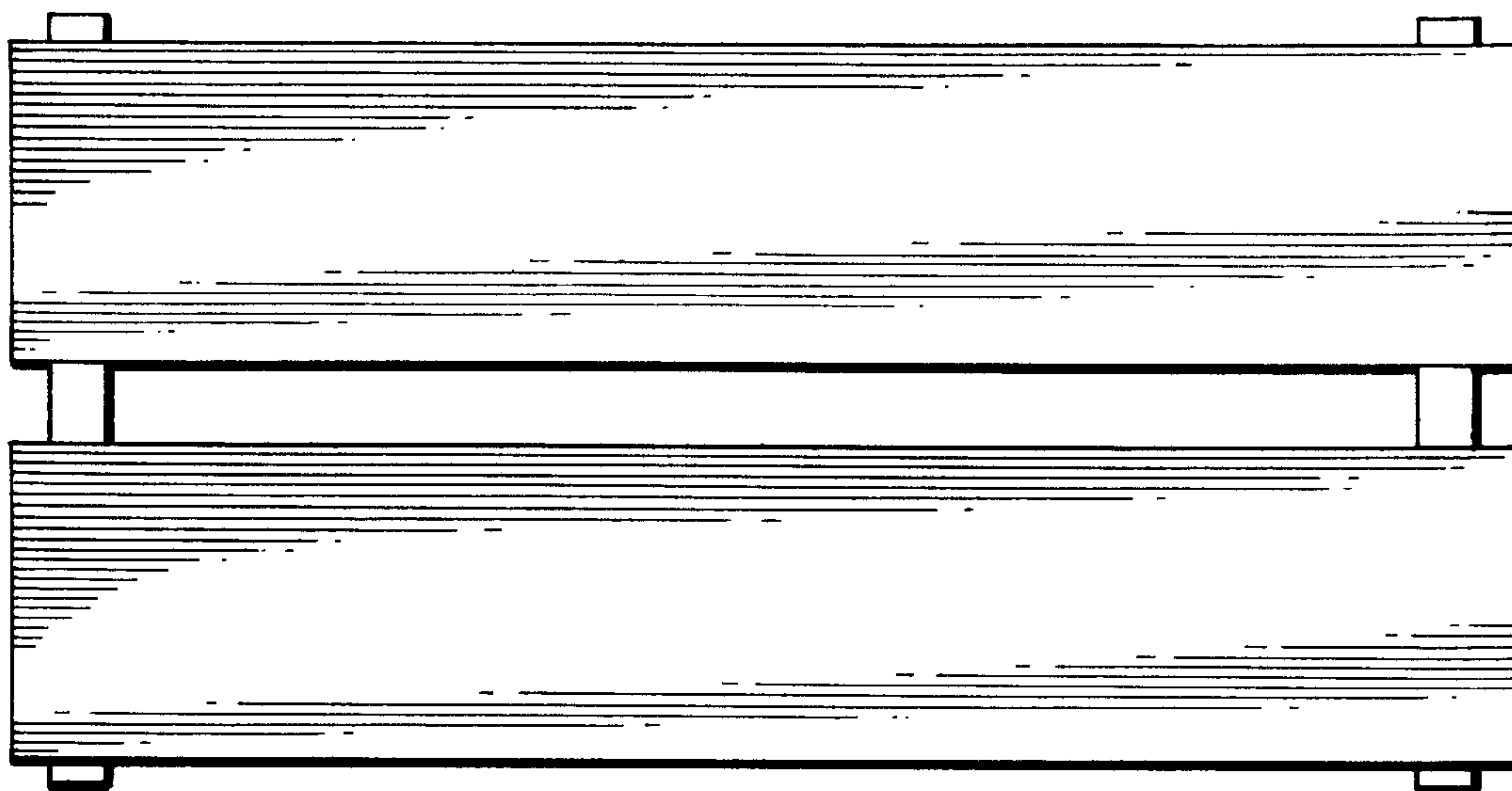


FIG. 2

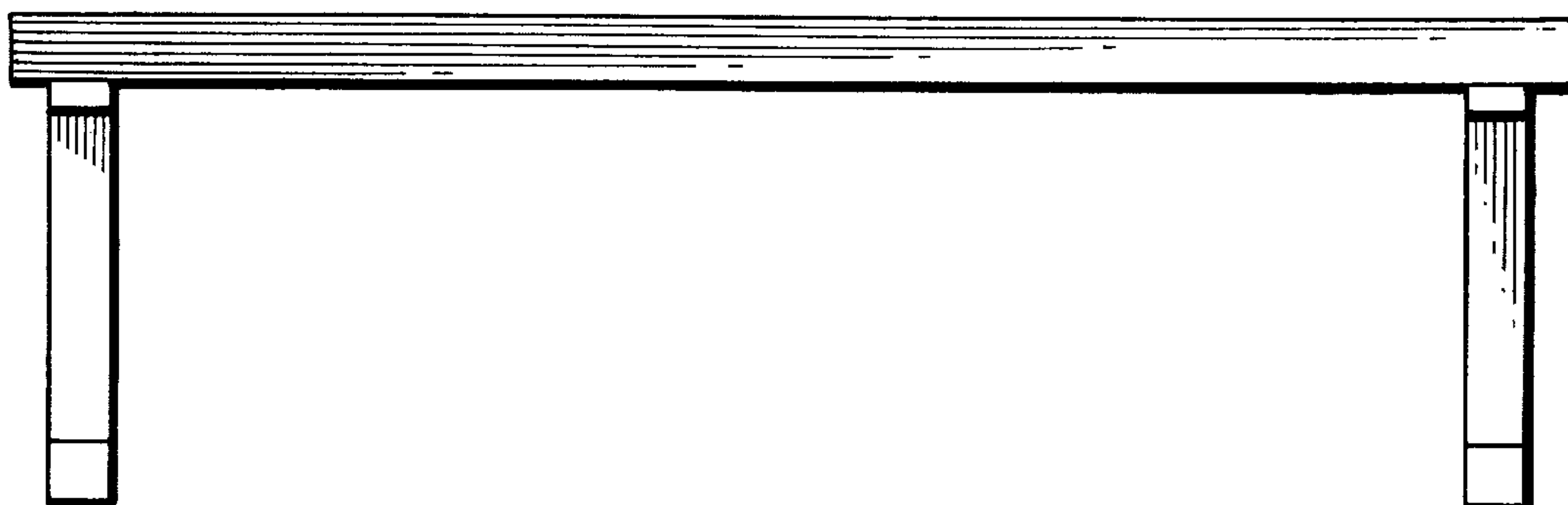


FIG. 3

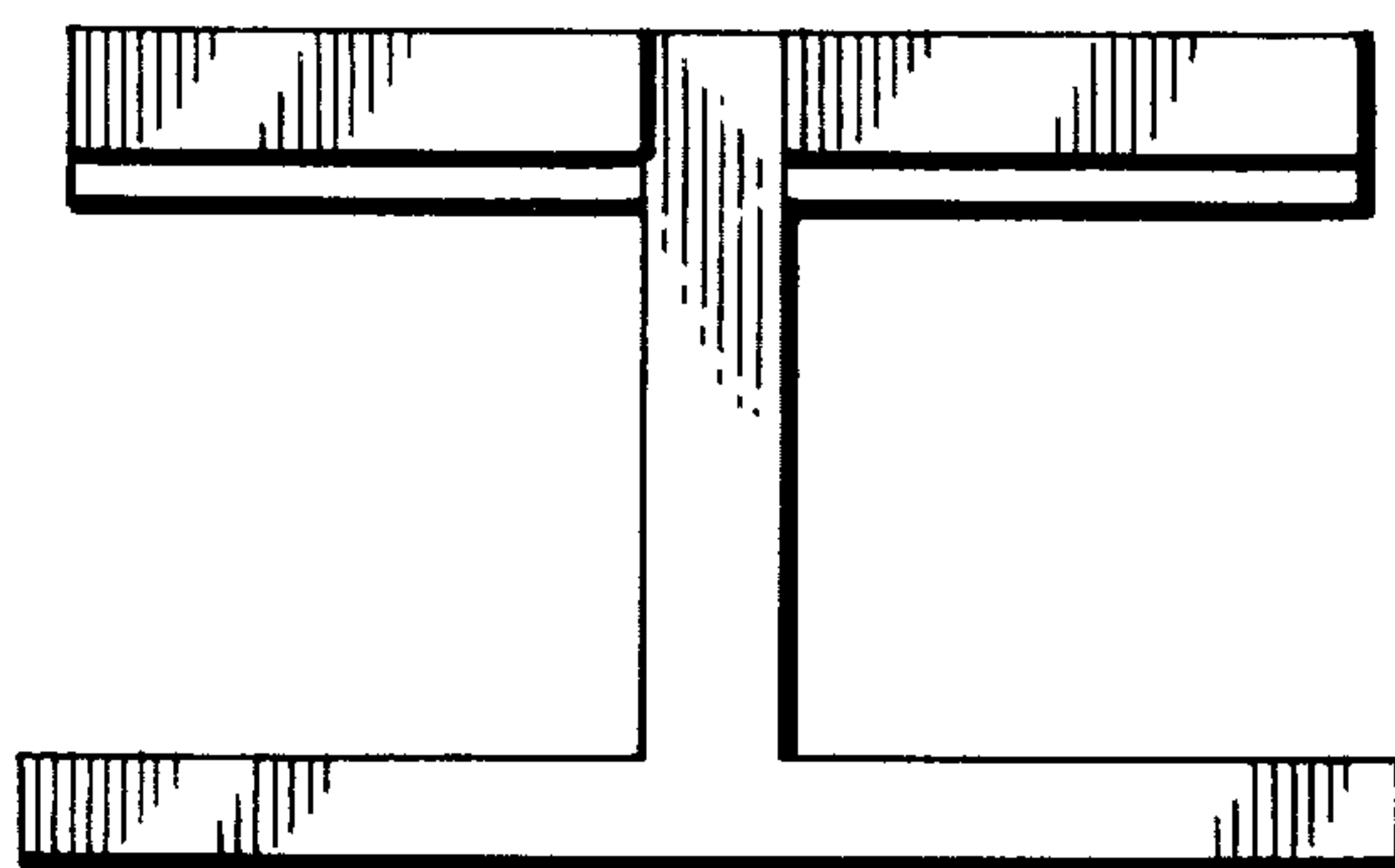


FIG. 4