

[54] CHEST

[75] Inventor: Roland P. Carter, Lynchburg, Va.

[73] Assignee: The Lane Company, Inc., Altavista, Va.

[**] Term: 7 Years

[21] Appl. No.: 611,962

[22] Filed: Sept. 10, 1975

[51] Int. Cl. D6-04

[52] U.S. Cl. D6/160

[58] Field of Search D6/154, 158-175

[56] References Cited

U.S. PATENT DOCUMENTS

- D. 223,005 2/1972 Genaro et al. D6/167
- D. 235,716 7/1975 Donner D6/164 X

OTHER PUBLICATIONS

Dillingham Cat., "A Collection," Rec'd. Mar. 23, 1973, 9002 Chest.

Primary Examiner—Bruce W. Dunkins
Attorney, Agent, or Firm—John W. Malley

[57] CLAIM

The ornamental design for a chest, as shown and described.

DESCRIPTION

FIG. 1 is a perspective view, from the front and right, of a chest showing my new design. The right end is a mirror image of the left end. The rear and bottom are plain and unornamented.

FIG. 2 is a front elevation view of the chest of FIG. 1. FIG. 3 is a fragmentary, larger scale sectional view taken at 3-3 of FIG. 1.

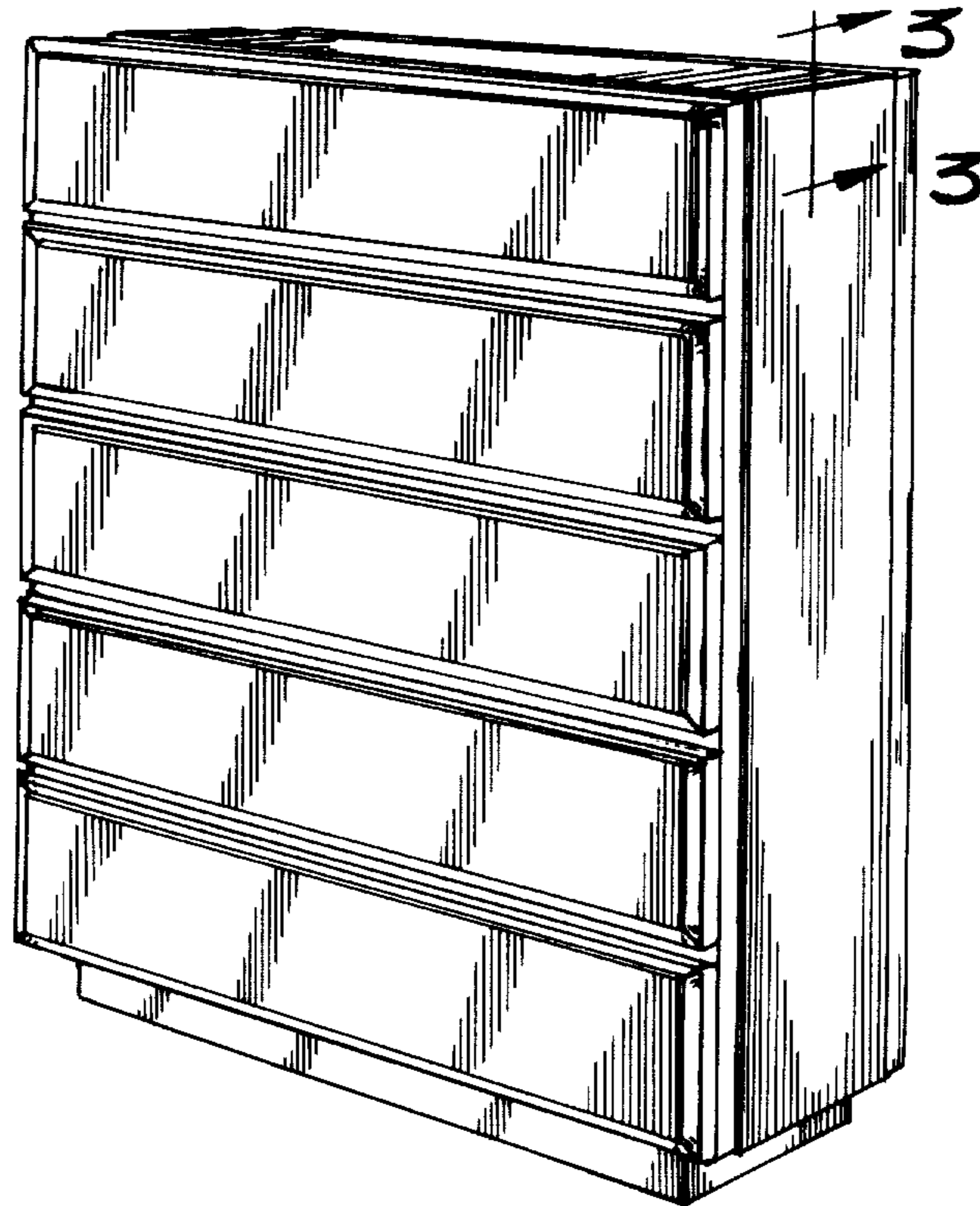


Fig. 1.

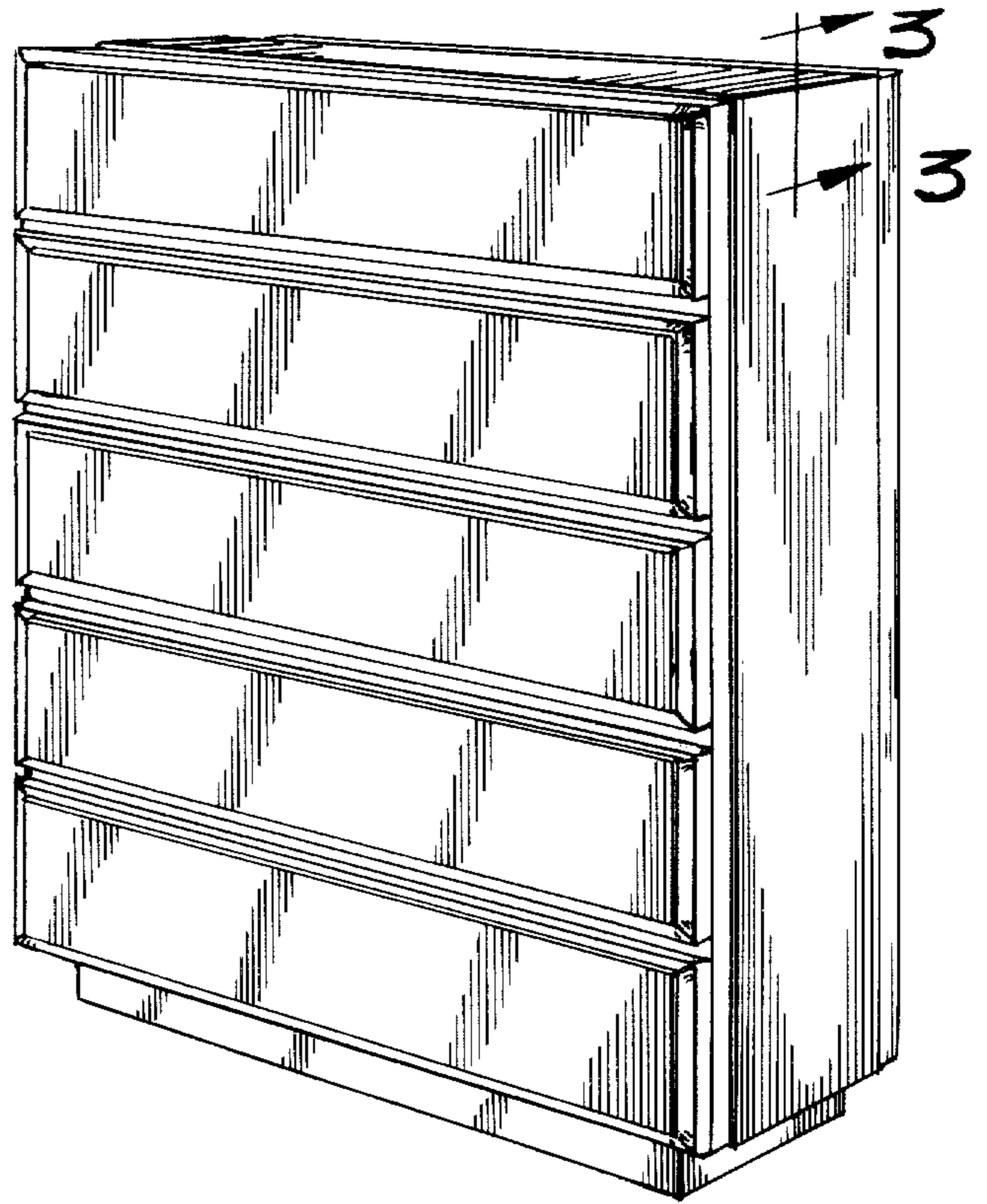


Fig. 2.

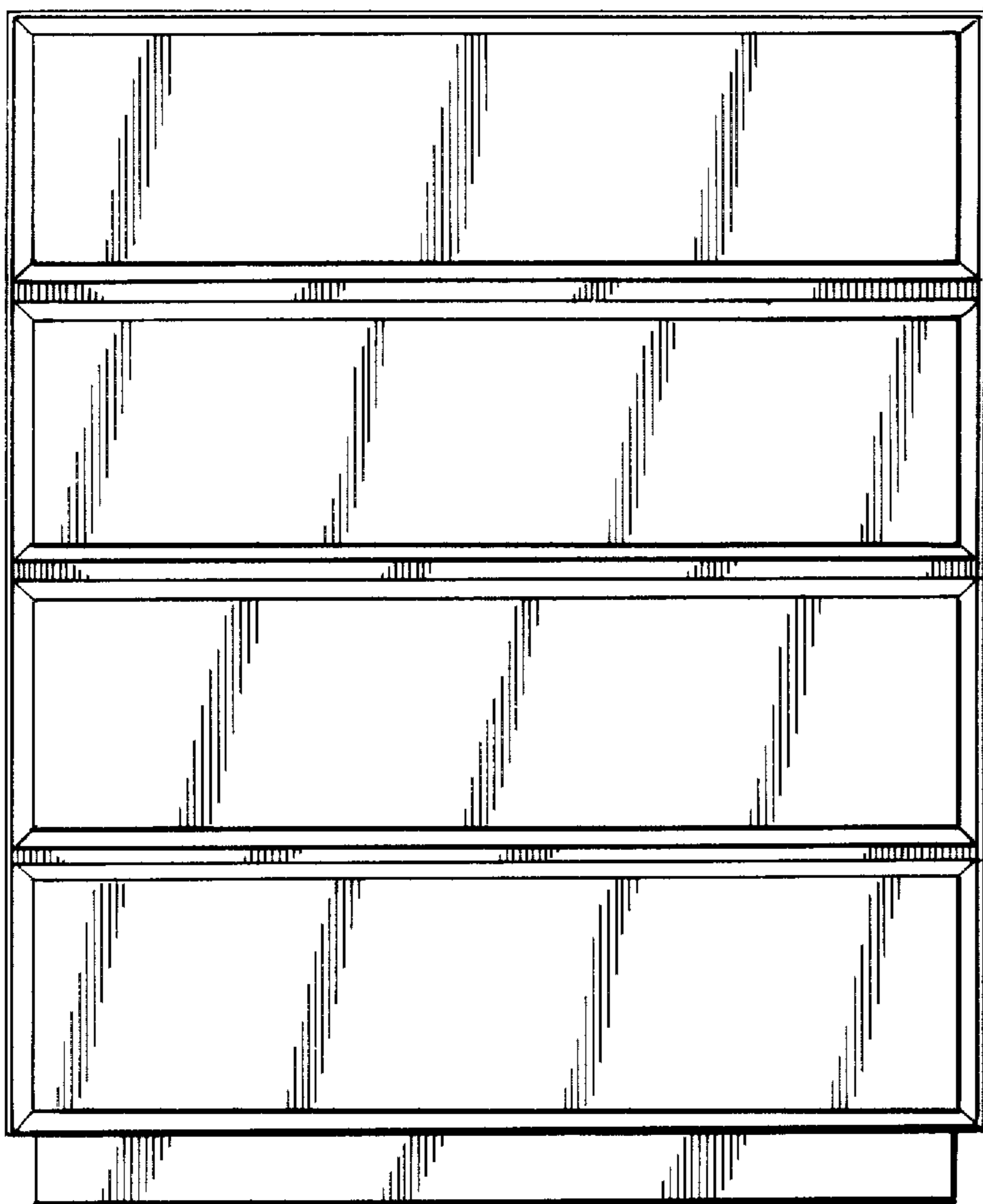


Fig. 3.

