

[54] **CABINET FOR PHOTOGRAPHIC SHEET PRODUCTS**

[75] Inventors: **William Paul Boyd, Macedon; Mark John Morse, Ontario, both of N.Y.**

[73] Assignee: **Eastman Kodak Company, Rochester, N.Y.**

[**] Term: **14 Years**

[21] Appl. No.: **632,753**

[22] Filed: **Nov. 17, 1975**

[51] Int. Cl. **D6-04**

[52] U.S. Cl. **D6/158**

[58] Field of Search **D6/158-167, D6/127-129, 191, 199**

[56] **References Cited**

U.S. PATENT DOCUMENTS

D. 132,962 7/1942 Salomon D6/191 X

D. 232,206 7/1974 Geddis D6/191 X

Primary Examiner—**Bruce W. Dunkins**

Attorney, Agent, or Firm—**James A. Smith**

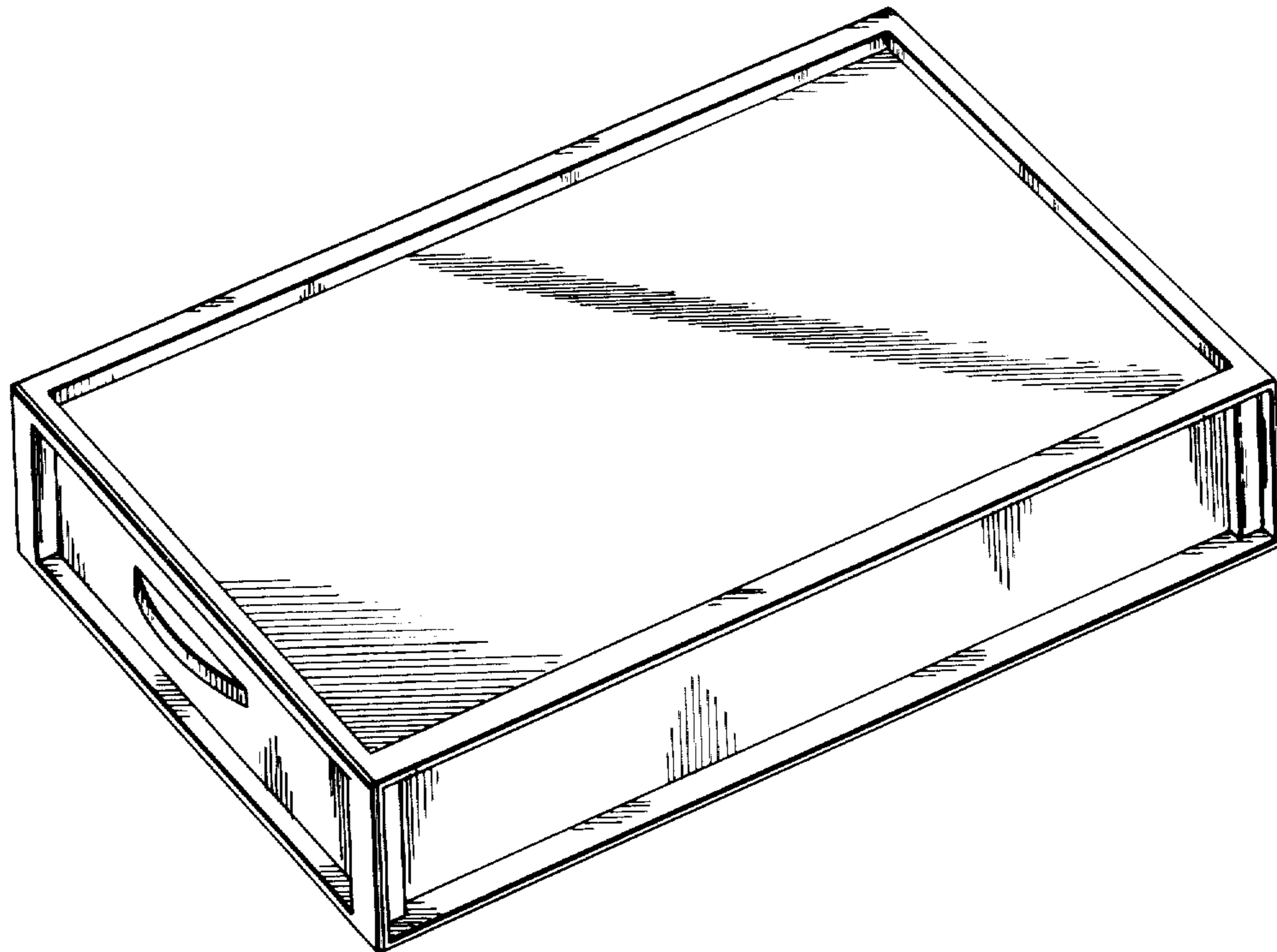
[57] **CLAIM**

The ornamental design for a cabinet for photographic sheet products, as shown.

DESCRIPTION

FIG. 1 is an isometric view of the cabinet showing the front, top, and right side thereof.

FIG. 2 is an isometric view of the cabinet as viewed from the left rear corner in FIG. 1, showing the back, bottom and left side thereof.



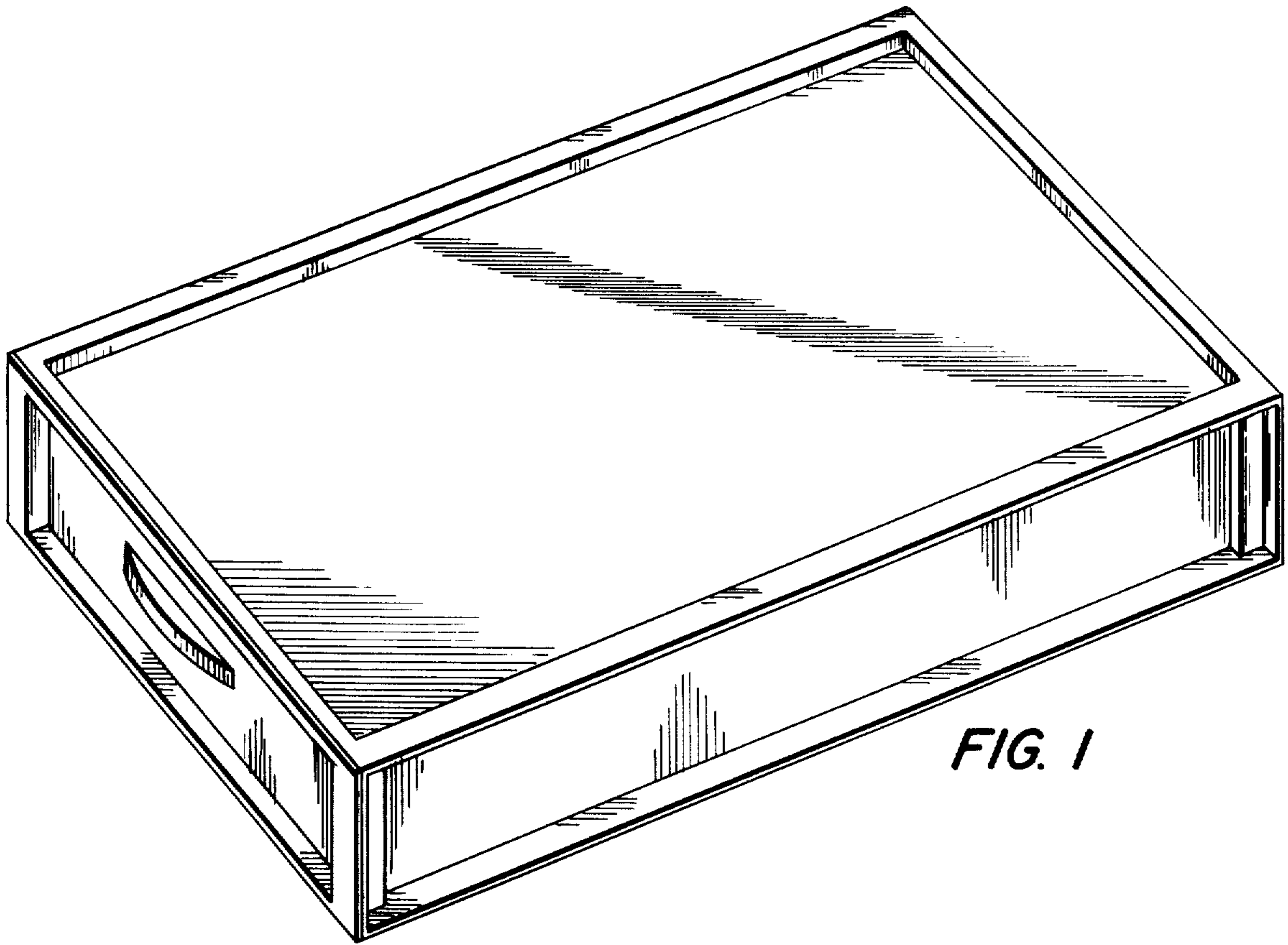


FIG. 1

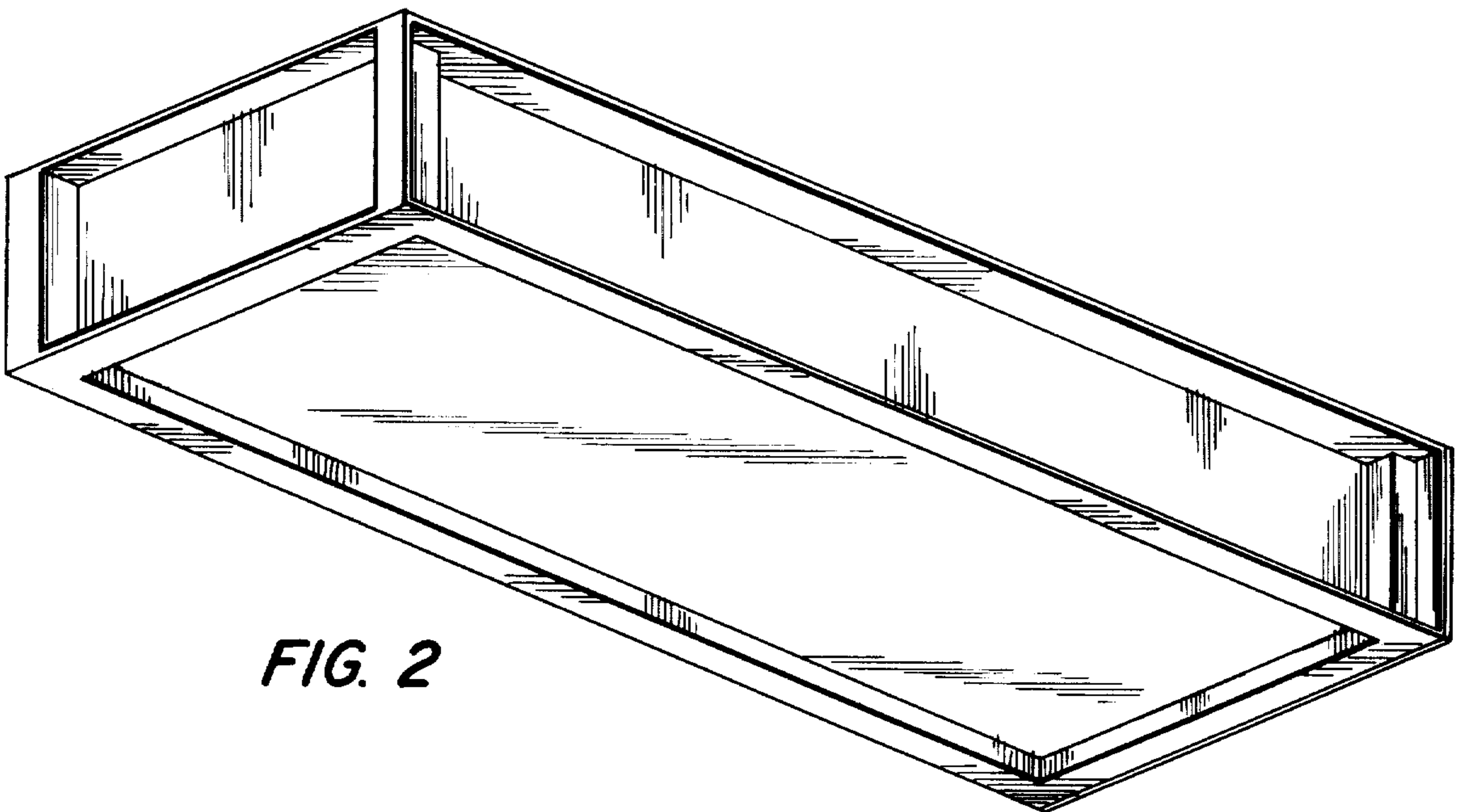


FIG. 2