

United States Patent [19]

[11] **Des. 243,893**

Beall, Jr.

[45] ** **Apr. 5, 1977**

[54] **SOFA**
[75] **Inventor: Lester Beall, Jr., High Point, N.C.**
[73] **Assignee: Treno Line Furniture Corporation, Amsterdam, N.Y.**
[**] **Term: 14 Years**
[21] **Appl. No.: 616,741**
[22] **Filed: Sept. 25, 1975**
[51] **Int. Cl. D6-01**
[52] **U.S. Cl. D6/63**
[58] **Field of Search D6/47-78**

D. 235,177 5/1975 Fisher D6/62 X
D. 240,680 7/1976 Nash D6/62

Primary Examiner—Bruce W. Dunkins
Attorney, Agent, or Firm—Joseph P. Flanagan

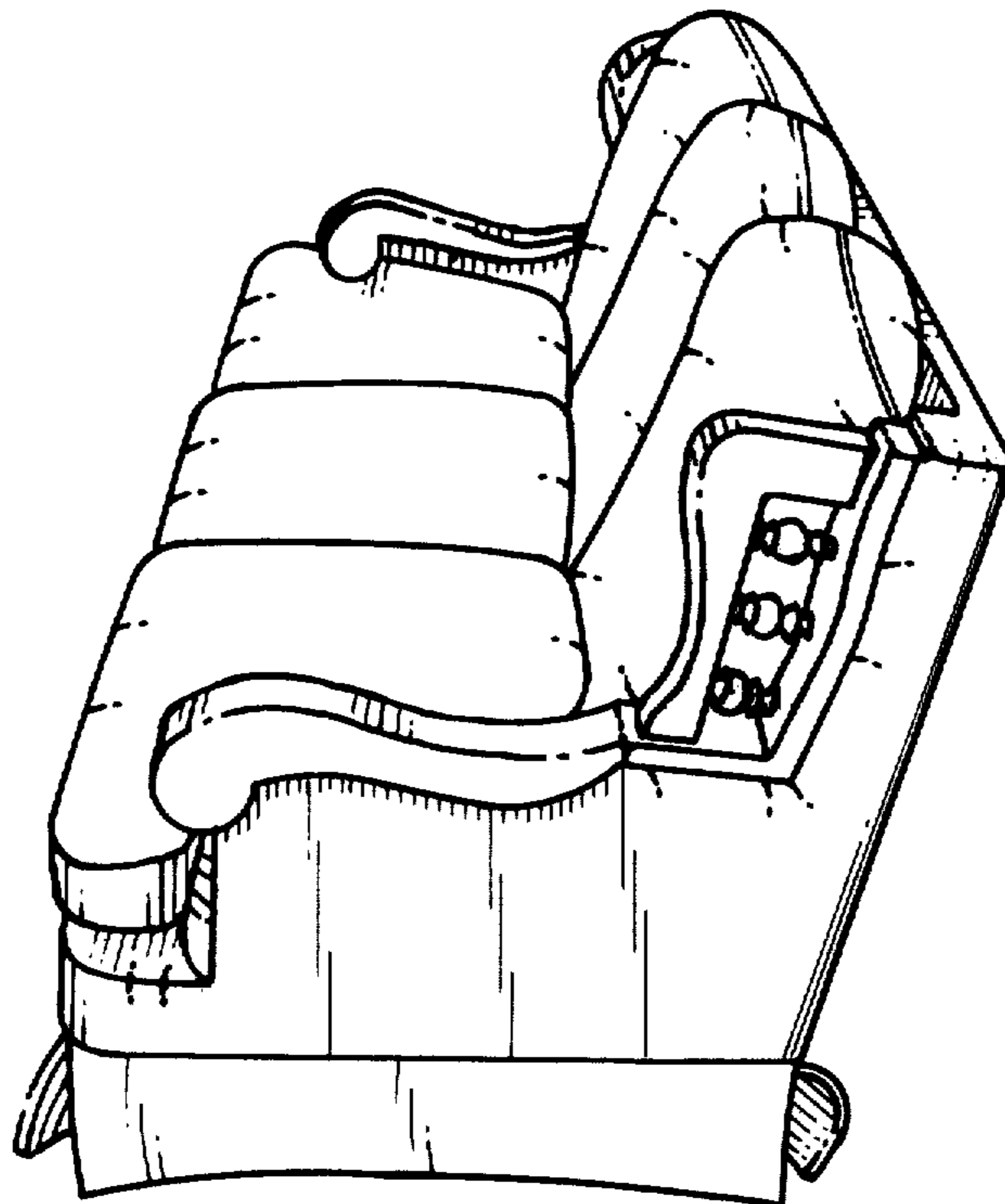
[57] CLAIM

The ornamental design for a sofa, as shown and described.

DESCRIPTION

FIG. 1 is a front perspective view of a sofa showing my design; and
FIG. 2 is a side perspective view thereof
The side not shown is a mirror image of the side shown while the rear of the sofa is conventional.

[56] **References Cited**
U.S. PATENT DOCUMENTS
D. 80,675 3/1930 Christiansen D6/62 X



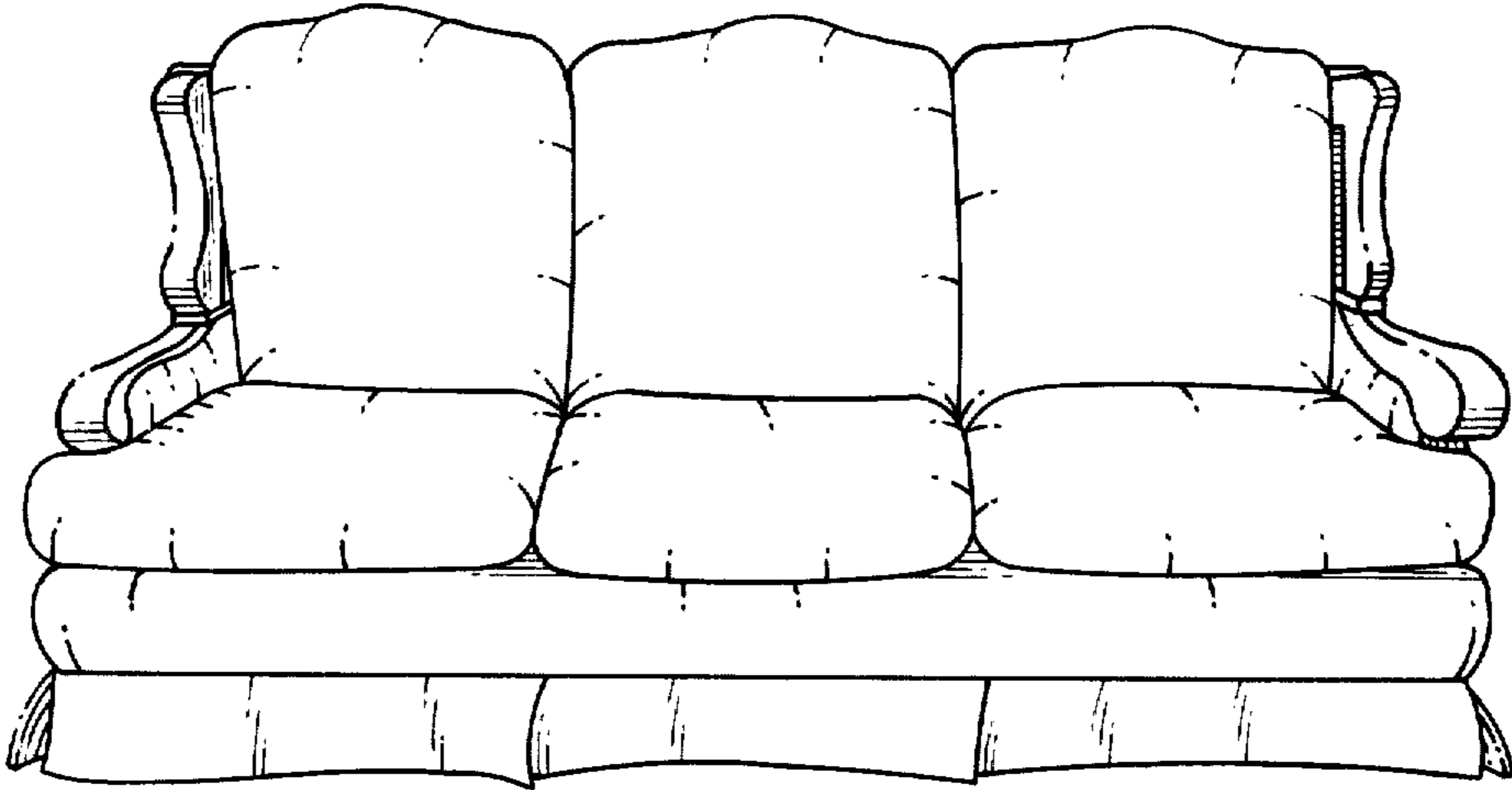


FIG. 1.

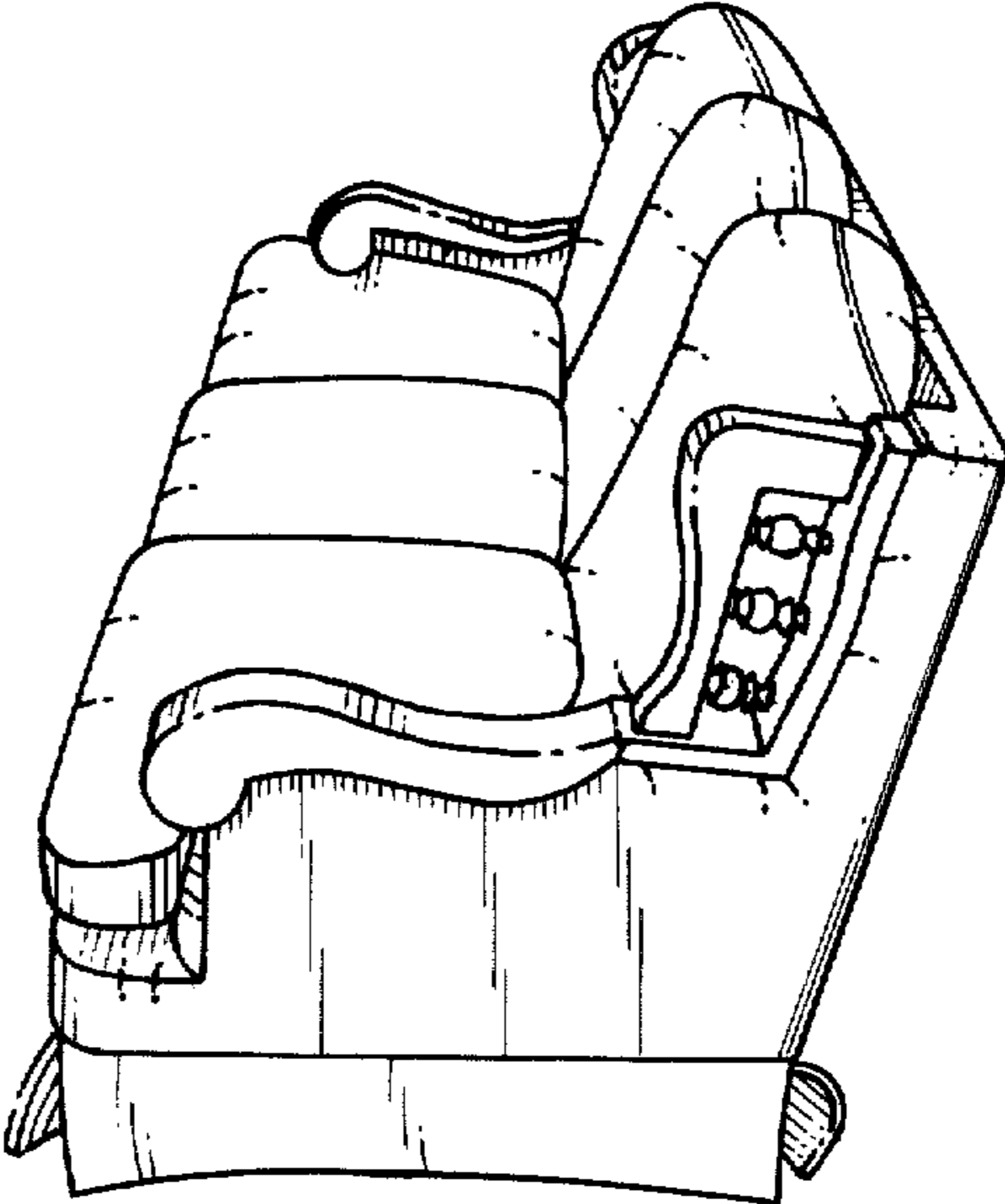


FIG. 2.

UNITED STATES PATENT OFFICE
CERTIFICATE OF CORRECTION

Patent No. Des. No. 243,893 Dated April 5, 1977

Inventor(s) Lester Beall, Jr.

It is certified that error appears in the above-identified patent and that said Letters Patent are hereby corrected as shown below:

On the Title page the assignee should read -- Trend Line Furniture Corporation --.

Signed and Sealed this

Twenty-first Day of March 1978

[SEAL]

Attest:

RUTH C. MASON
Attesting Officer

LUTRELLE F. PARKER
Acting Commissioner of Patents and Trademarks