

[54] **ARTICLE DISPLAY STAND**
 [75] Inventors: **Roger G. Ferriter**, Yonkers; **Fred Howard**, New York, both of N.Y.
 [73] Assignee: **Wix Corporation**, Gastonia, N.C.
 [**] Term: **14 Years**
 [21] Appl. No.: **683,847**
 [22] Filed: **May 6, 1976**
 [51] Int. Cl. **D6-04; D20-02**
 [52] U.S. Cl. **D6/25**
 [58] **Field of Search** **D6/20, 23-29, D6/85, 141, 146, 157, 177-189; 211/13, 34, 36, 42, 126, 128, 134, 135, 144, 163; 108/92, 93**

[56] **References Cited**

U.S. PATENT DOCUMENTS

1,717,943	6/1929	Smith	D6/186
2,886,184	5/1959	Crone	211/144
D. 77,643	2/1929	Kearns	D6/85
D. 87,109	6/1932	Friede	D6/85
D. 148,859	3/1948	Irwin	D6/189

D. 190,459 5/1961 Curran D6/23

FOREIGN PATENT DOCUMENTS

869,748 1961 United Kingdom 211/144

Primary Examiner—Wallace R. Burke
Assistant Examiner—B. J. Bullock
Attorney, Agent, or Firm—John F. Smith

[57] **CLAIM**

The ornamental design for an article display stand, substantially as shown and described.

DESCRIPTION

FIG. 1 is a reduced perspective view of the article display stand showing my new design; FIG. 2 is a side elevational view of FIG. 1; FIG. 3 is a top plan view of FIG. 1; FIG. 4 is a sectional view taken on line 4-4 of FIG. 2; FIG. 5 is a perspective view of a second embodiment of the design of FIG. 1; FIG. 6 is a front elevational view of FIG. 5; FIG. 7 is a top plan view of FIG. 5.

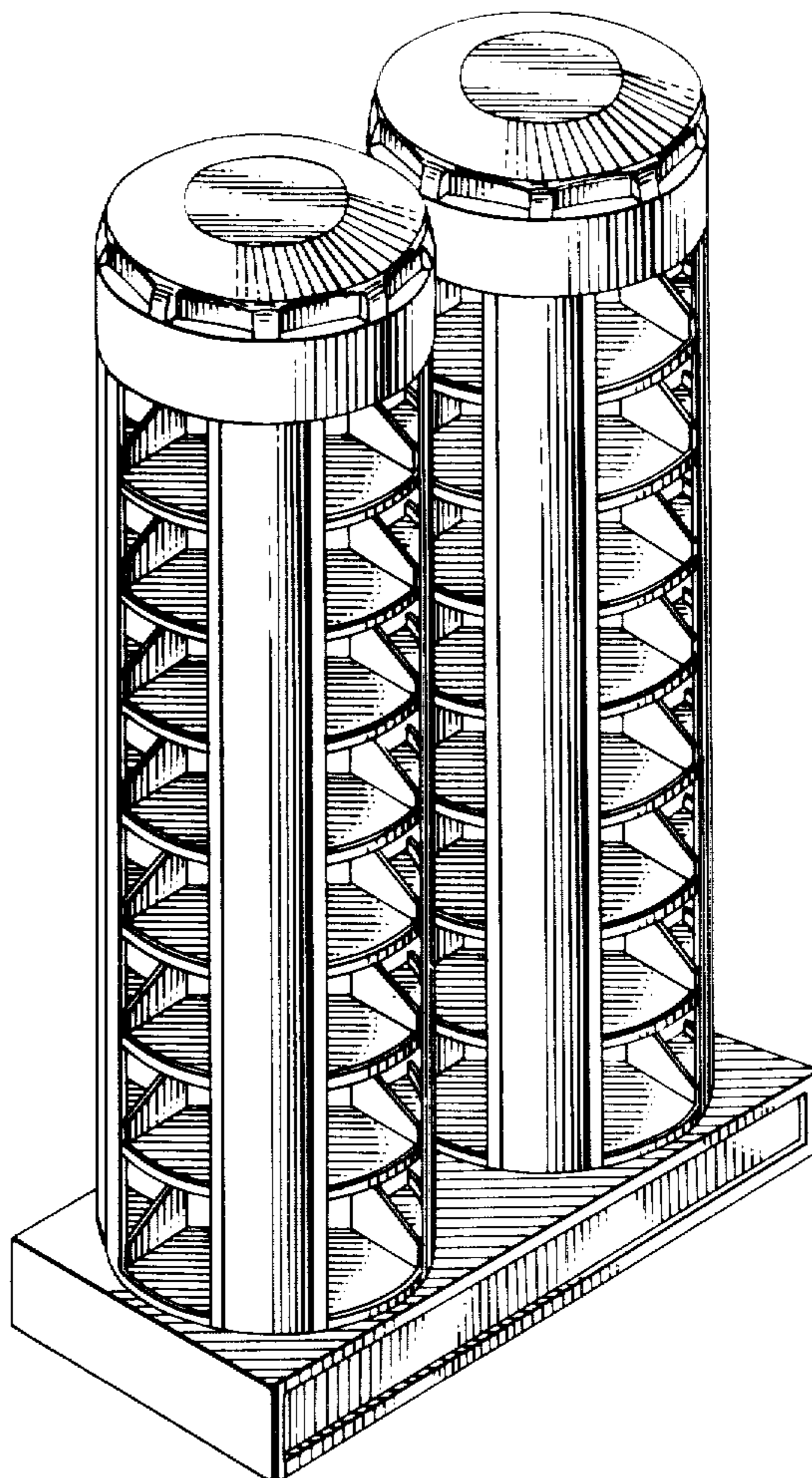
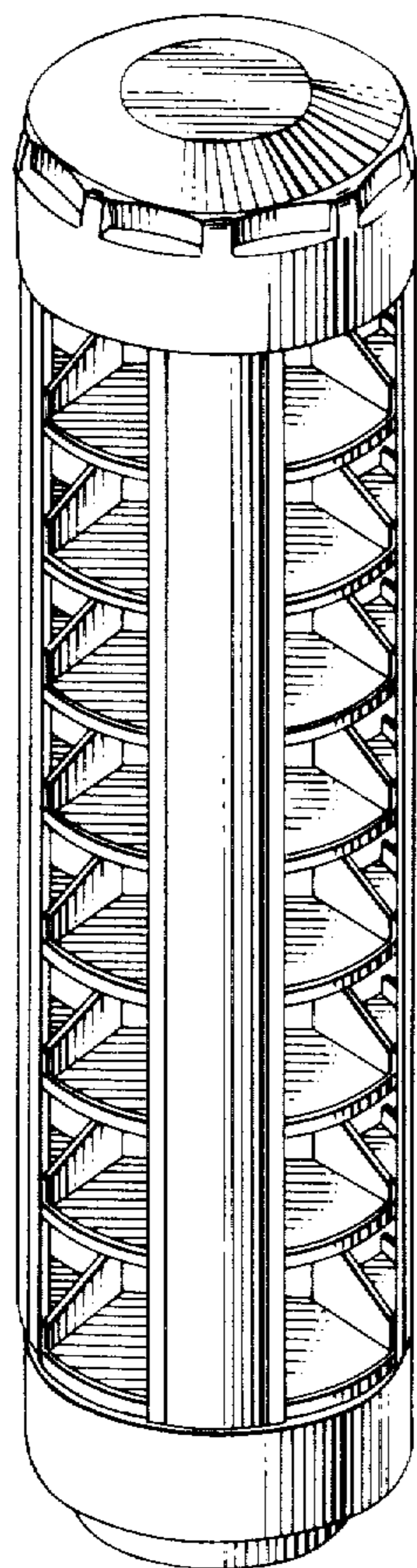


FIG. 1.

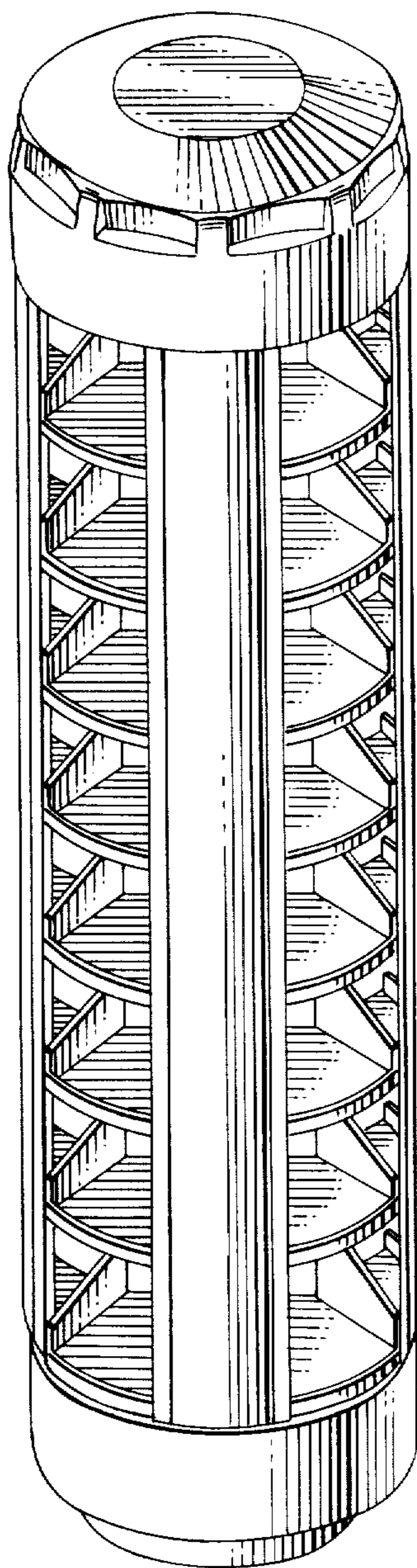


FIG. 2.

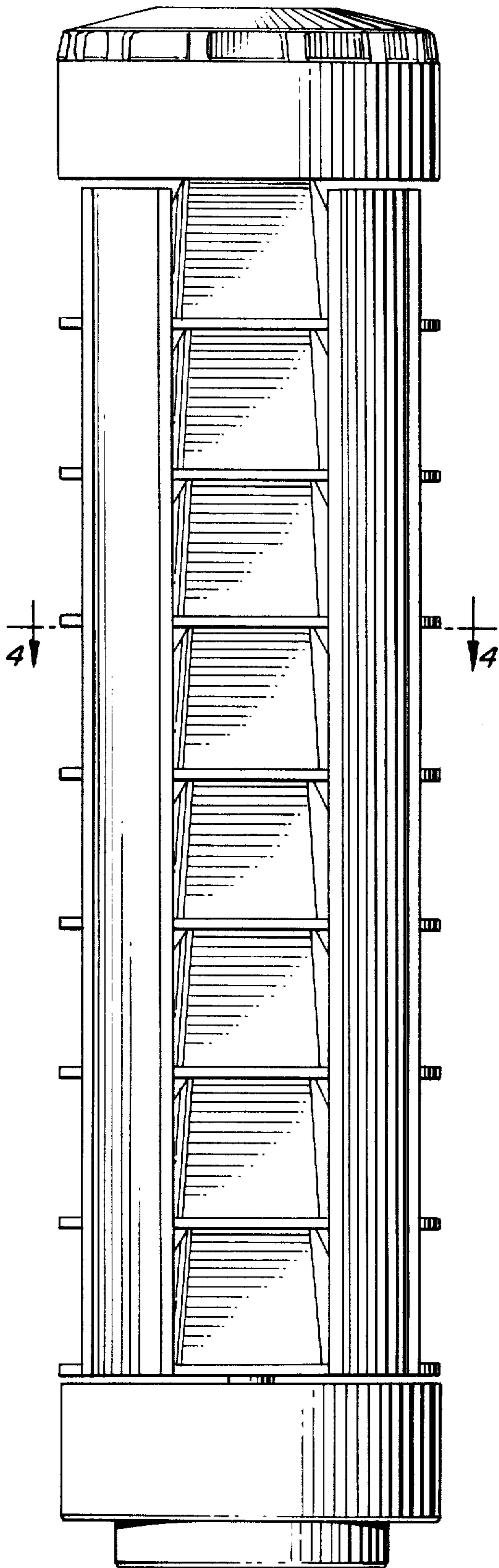


FIG. 3.

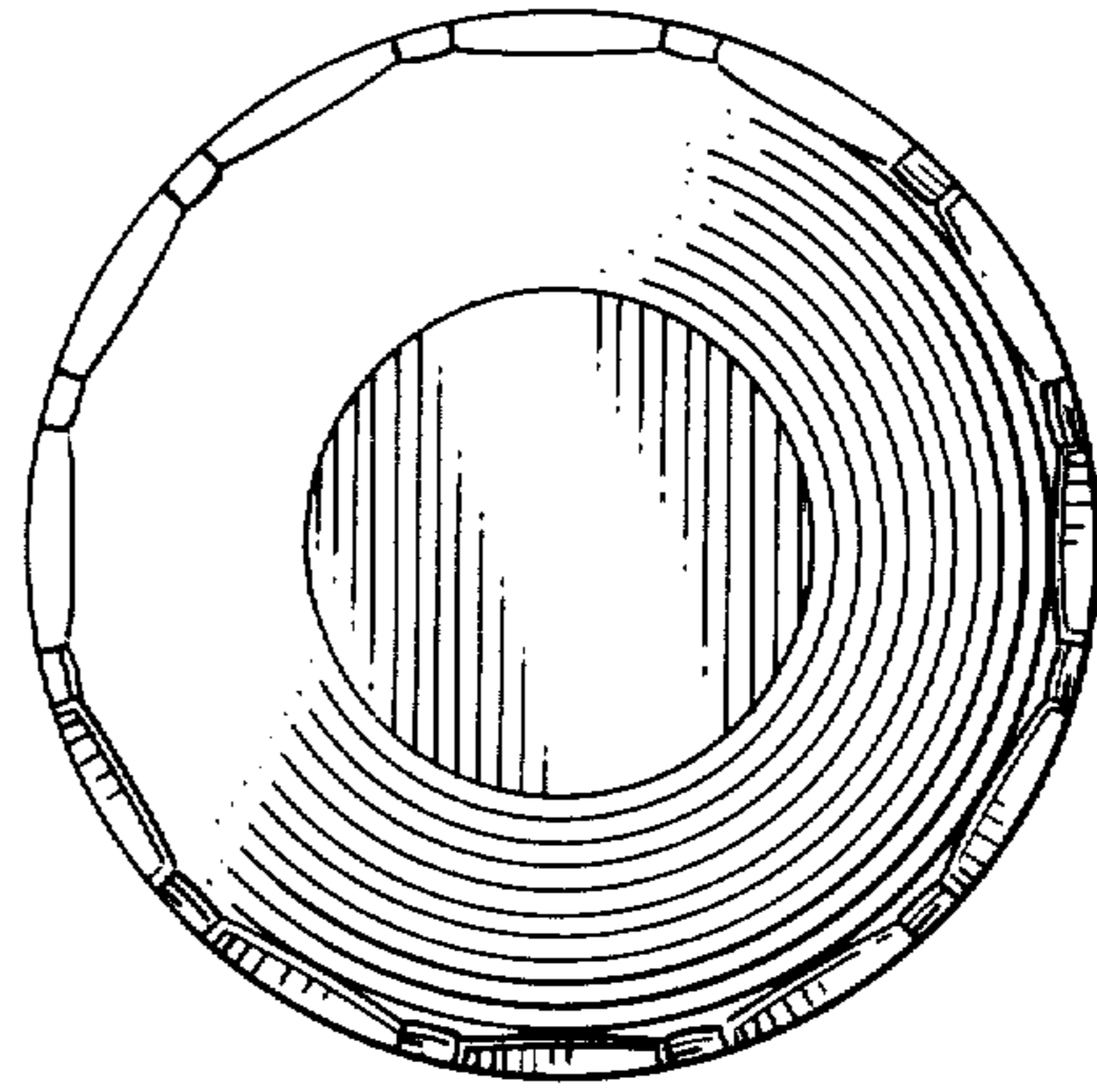


FIG. 4.

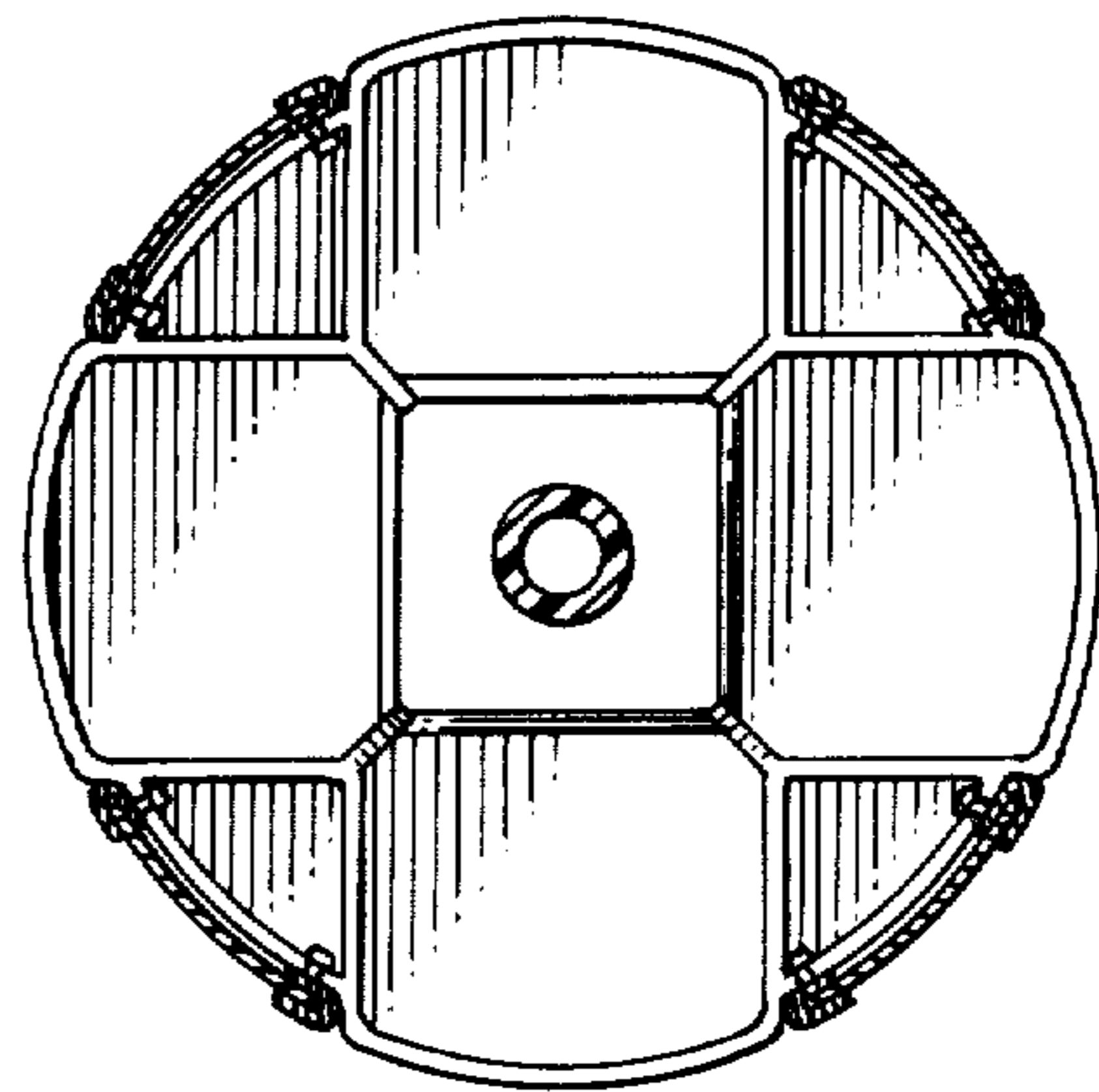


FIG. 5.

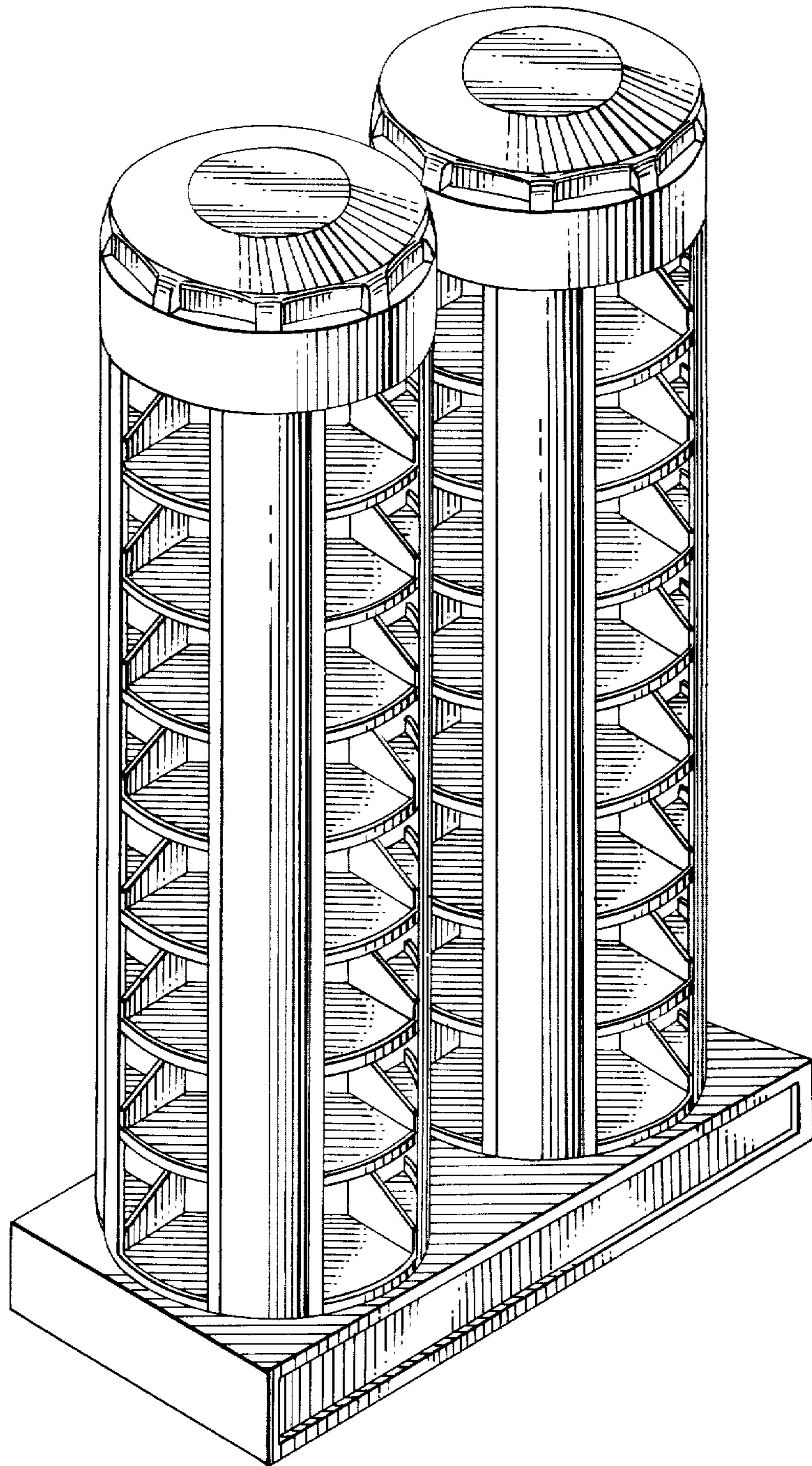


FIG. 6.

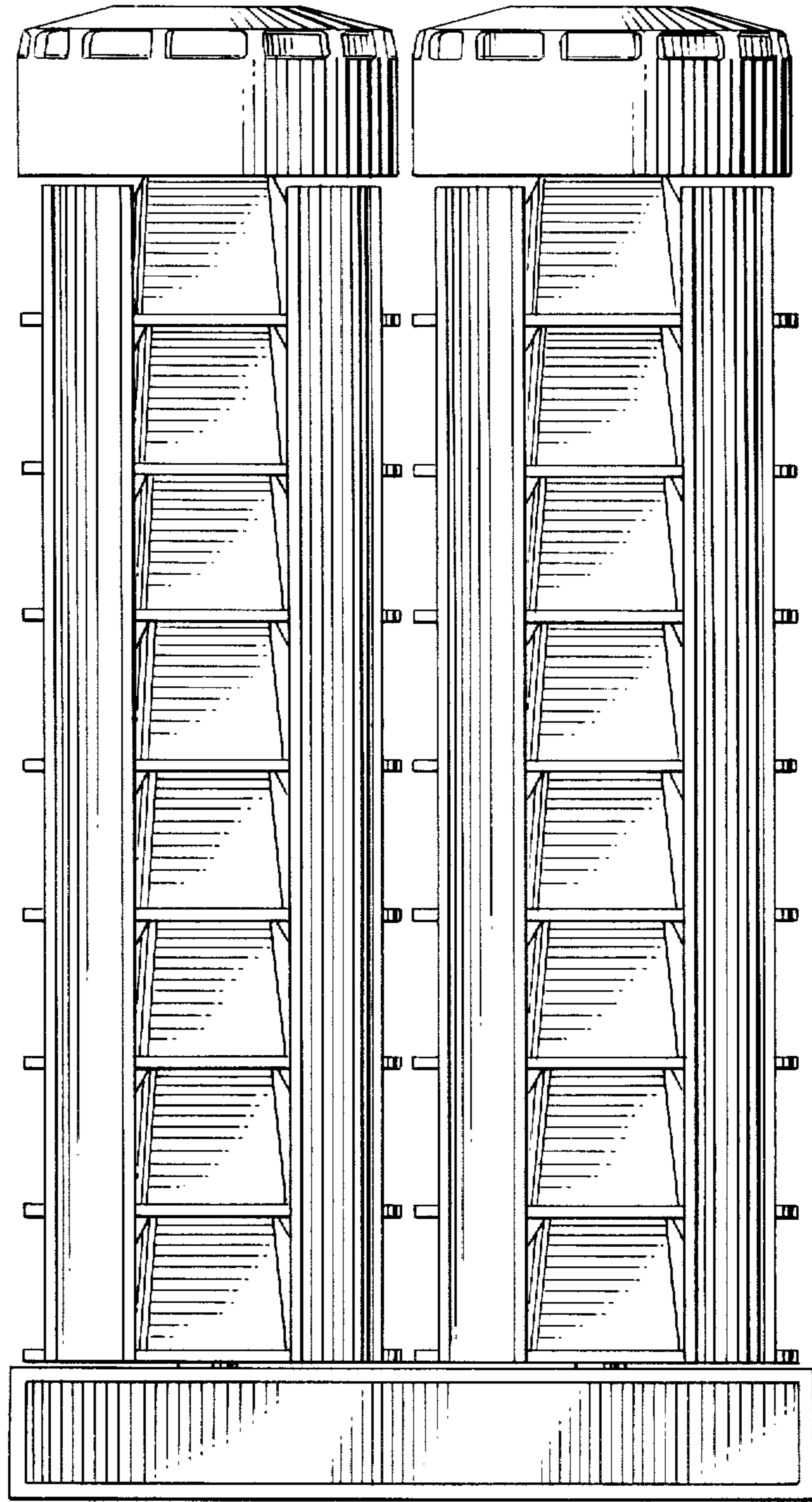


FIG. 7.

