

[54] DISPLAY STAND FOR BAKERY PRODUCTS OR THE LIKE

D. 230,331 2/1974 Snyder D6/24
D. 232,892 9/1974 Parotte D6/186

[75] Inventor: Alan K. Snyder, River Forest, Ill.

Primary Examiner—Wallace R. Burke

[73] Assignee: Chicago Display Company

Assistant Examiner—B. J. Bullock

[**] Term: 14 Years

Attorney, Agent, or Firm—David A. Anderson

[21] Appl. No.: 674,394

[57] CLAIM

[22] Filed: Apr. 7, 1976

The ornamental design for a display stand for bakery products or the like, substantially as shown.

[51] Int. Cl. D20-02

[52] U.S. Cl. D6/24

[58] Field of Search D6/20, 23-29, D6/85, 141, 146, 157, 177-189; 211/13, 34, 36, 42, 126, 128, 134, 135, 144, 163; 108/92, 93

DESCRIPTION

FIG. 1 is a left front perspective view of a display stand for bakery products or the like, showing my new design;

FIG. 2 is a side elevational view taken from the right of FIG. 1;

FIG. 3 is fragmentary left perspective view of the top portion thereof; and

FIG. 4 is a fragmentary cross-sectional perspective view taken along line 4-4 of FIG. 1.

[56] References Cited
U.S. PATENT DOCUMENTS

D. 143,125 12/1945 Brinkema D6/186
D. 194,384 1/1963 Barroero D6/187

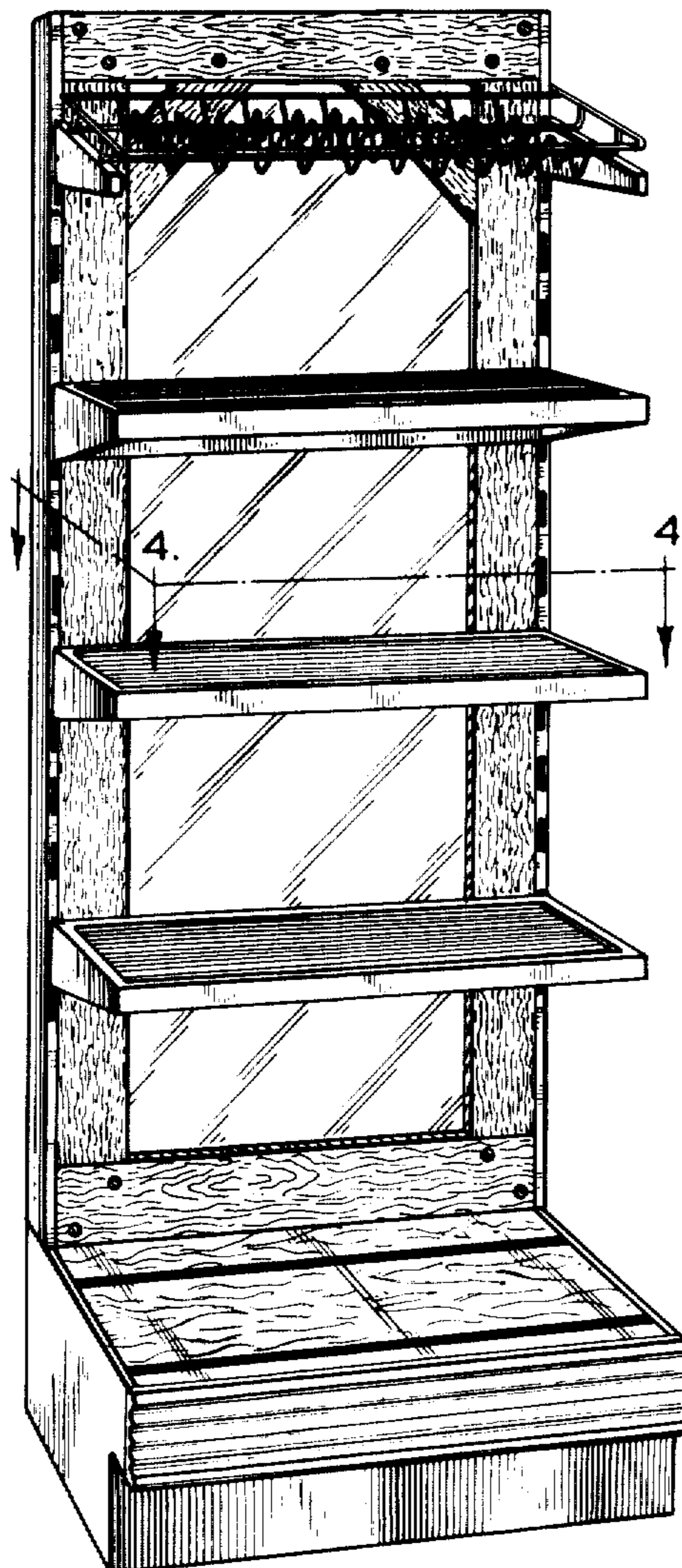


FIG. 1

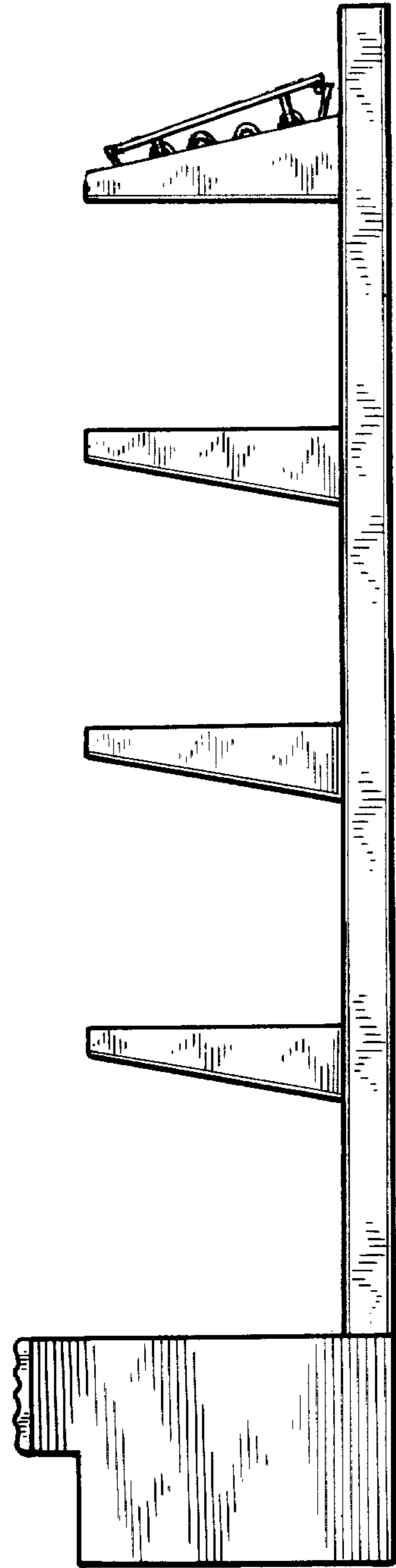
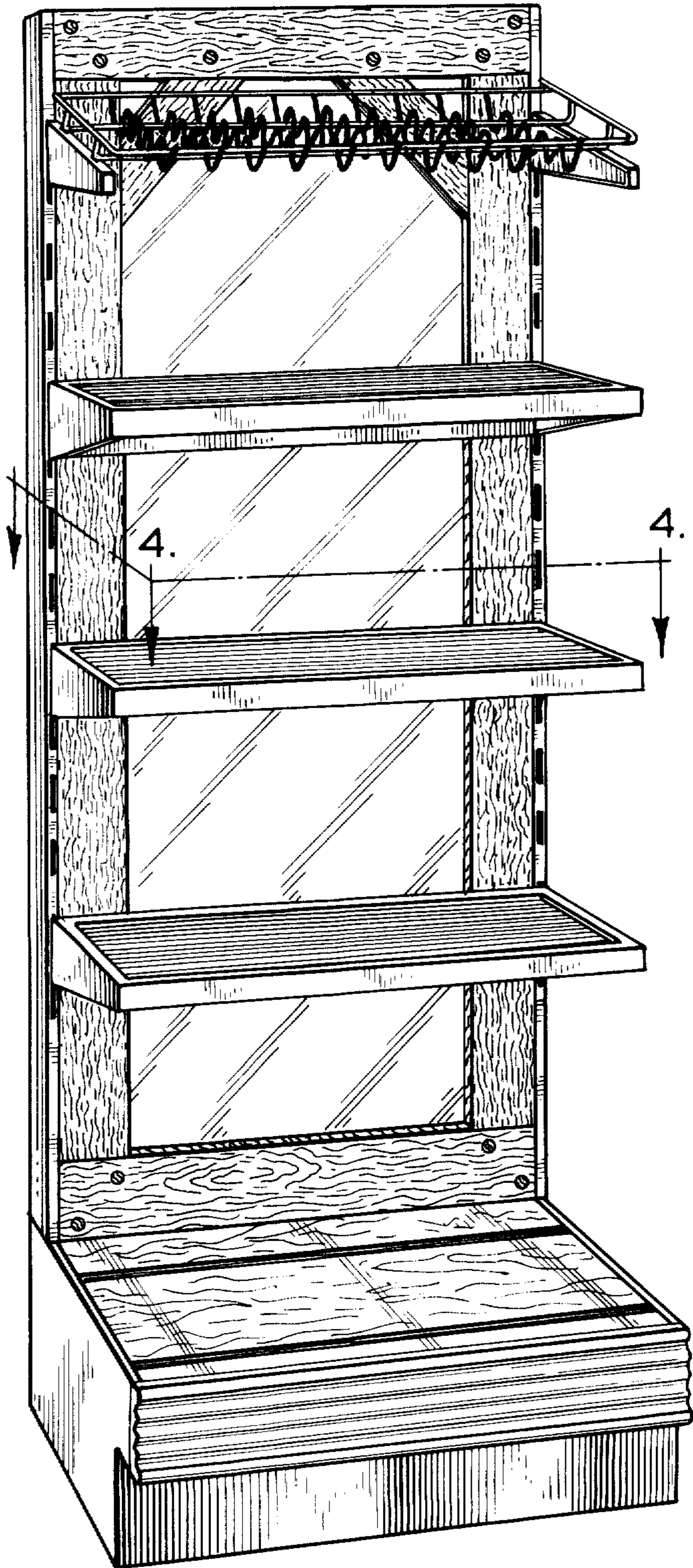


FIG. 2

FIG. 3

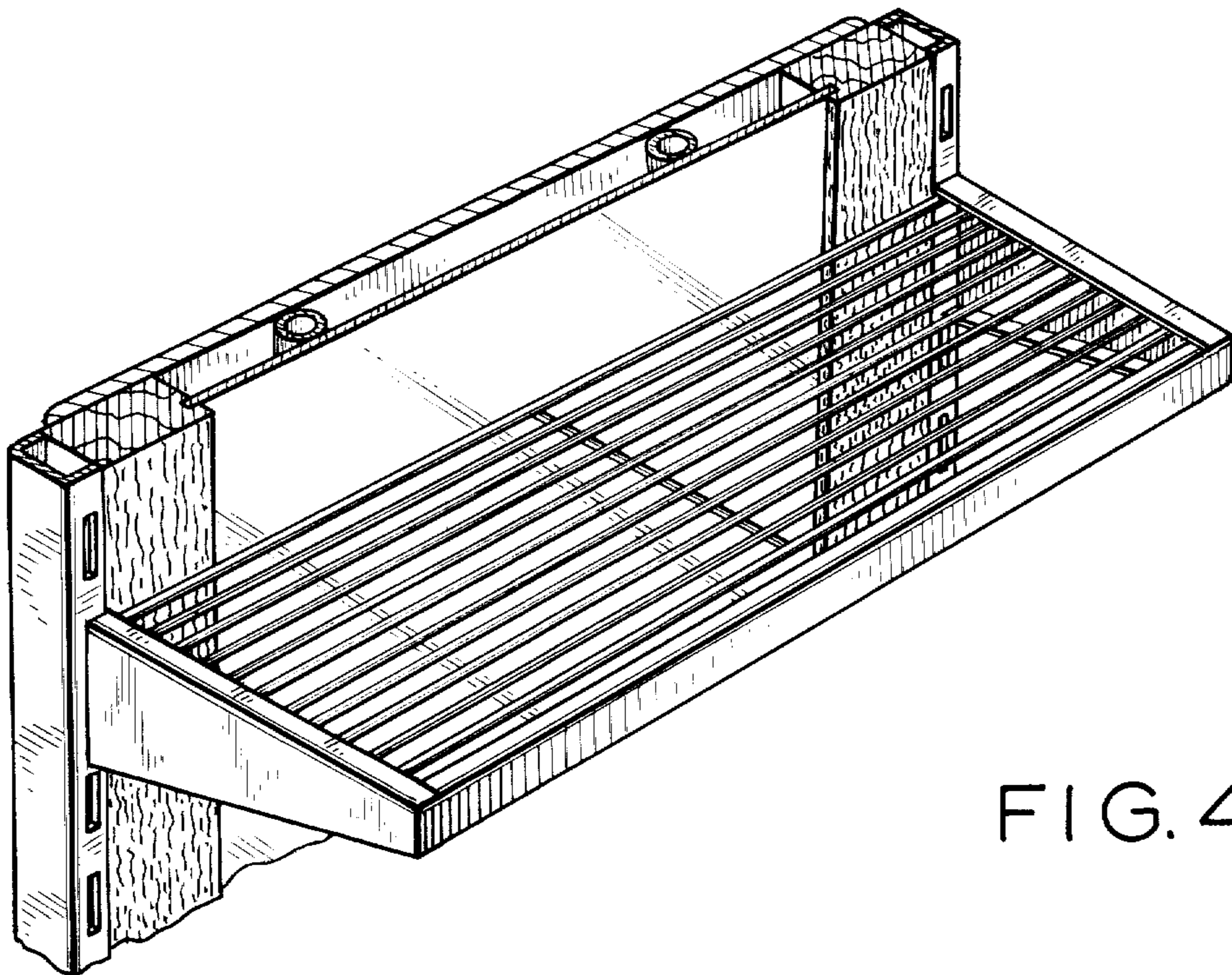
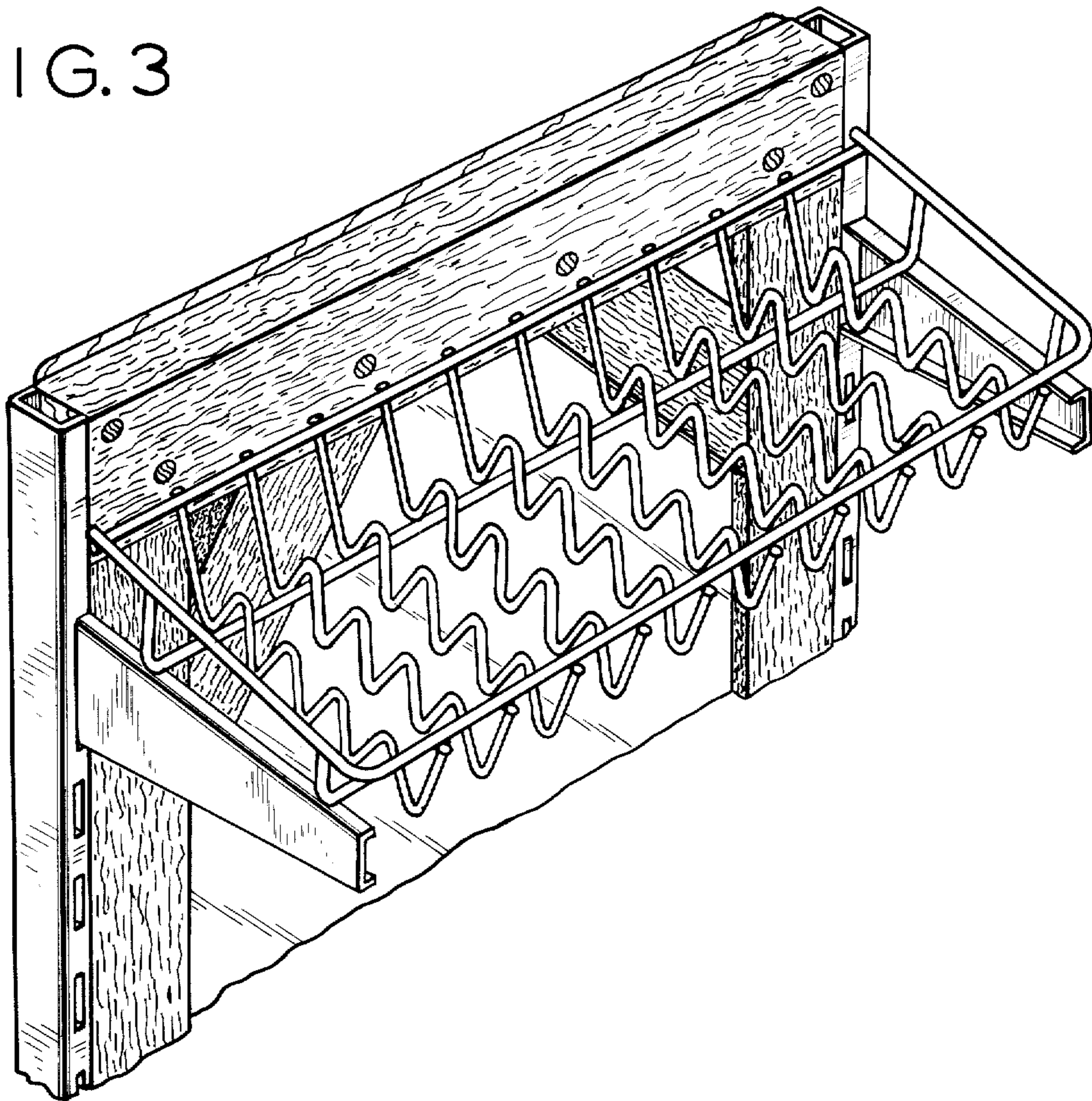


FIG. 4