

[54] SCUBA DIVER BACK PACK

[75] Inventor: William D. Walters, Costa Mesa, Calif.

[73] Assignee: William D. Waters, Costa Mesa, Calif.

[**] Term: 14 Years

[21] Appl. No.: 615,237

[22] Filed: Sept. 22, 1975

[51] Int. Cl. D21-02

[52] U.S. Cl. D87/1 R

[58] Field of Search D34/41, 43; D12/65; D87/1 R

[56] References Cited

U.S. PATENT DOCUMENTS

D. 205,643	8/1966	Strader	D34/41
D. 236,388	8/1975	Walters	D87/1 R

OTHER PUBLICATIONS

Skin Diver, Nov. 1973, back cover, UDS-1 System back on page.

Primary Examiner—Alan P. Douglas
Attorney, Agent, or Firm—Francis A. Utecht

[57] CLAIM

The ornamental design for a scuba diver back pack, substantially as shown and described.

DESCRIPTION

FIG. 1 is a perspective view of the inner side of a scuba diver back pack showing my new design; FIG. 2 is a perspective view of the outer side thereof; FIG. 3 is a front elevational view thereof; FIG. 4 is a rear elevational view thereof; FIG. 5 is a bottom plan view thereof; FIG. 6 is a top plan view thereof; and FIG. 7 is a left side elevational view thereof, the opposite side being a mirror image.

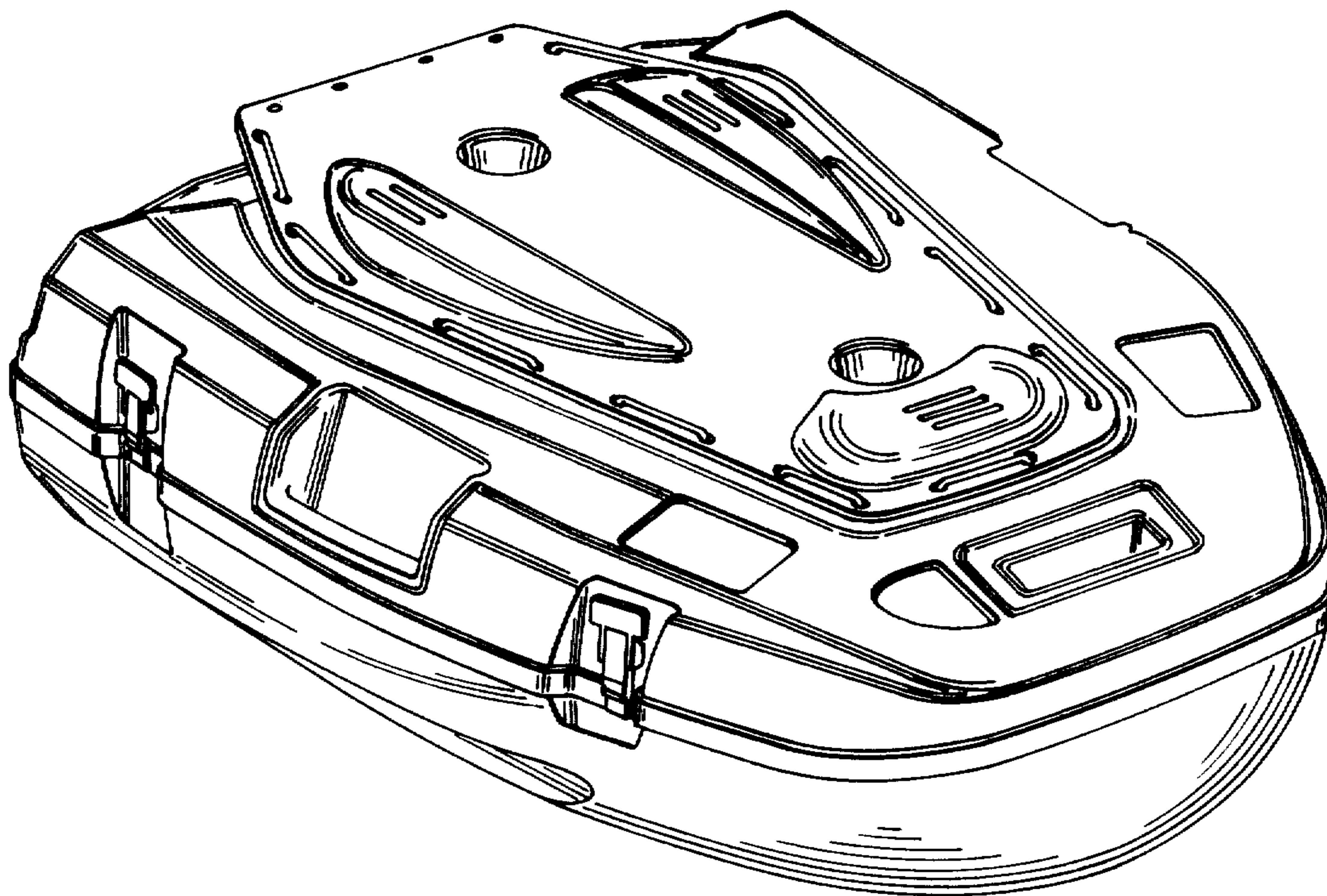


FIG. 1

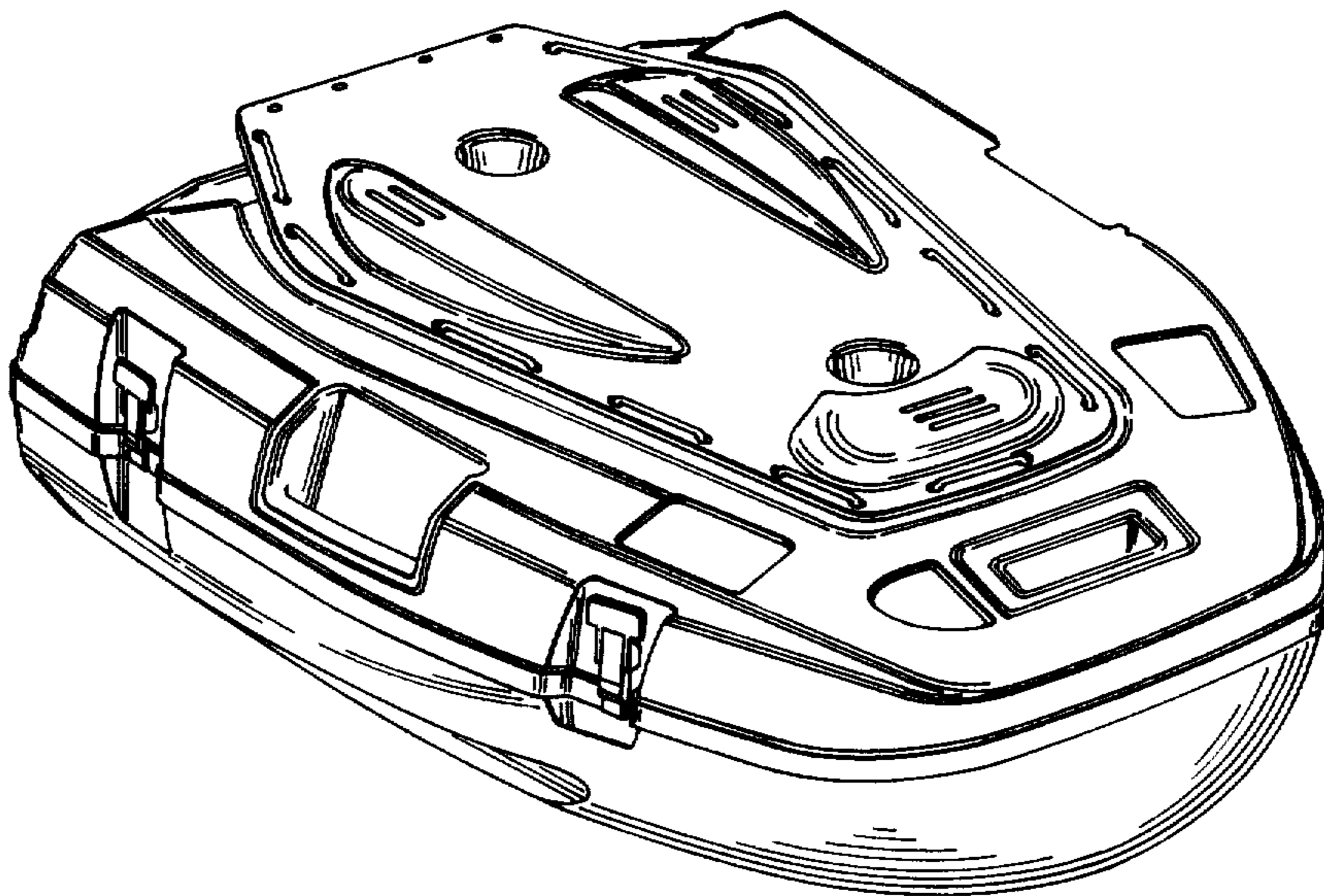


FIG. 2

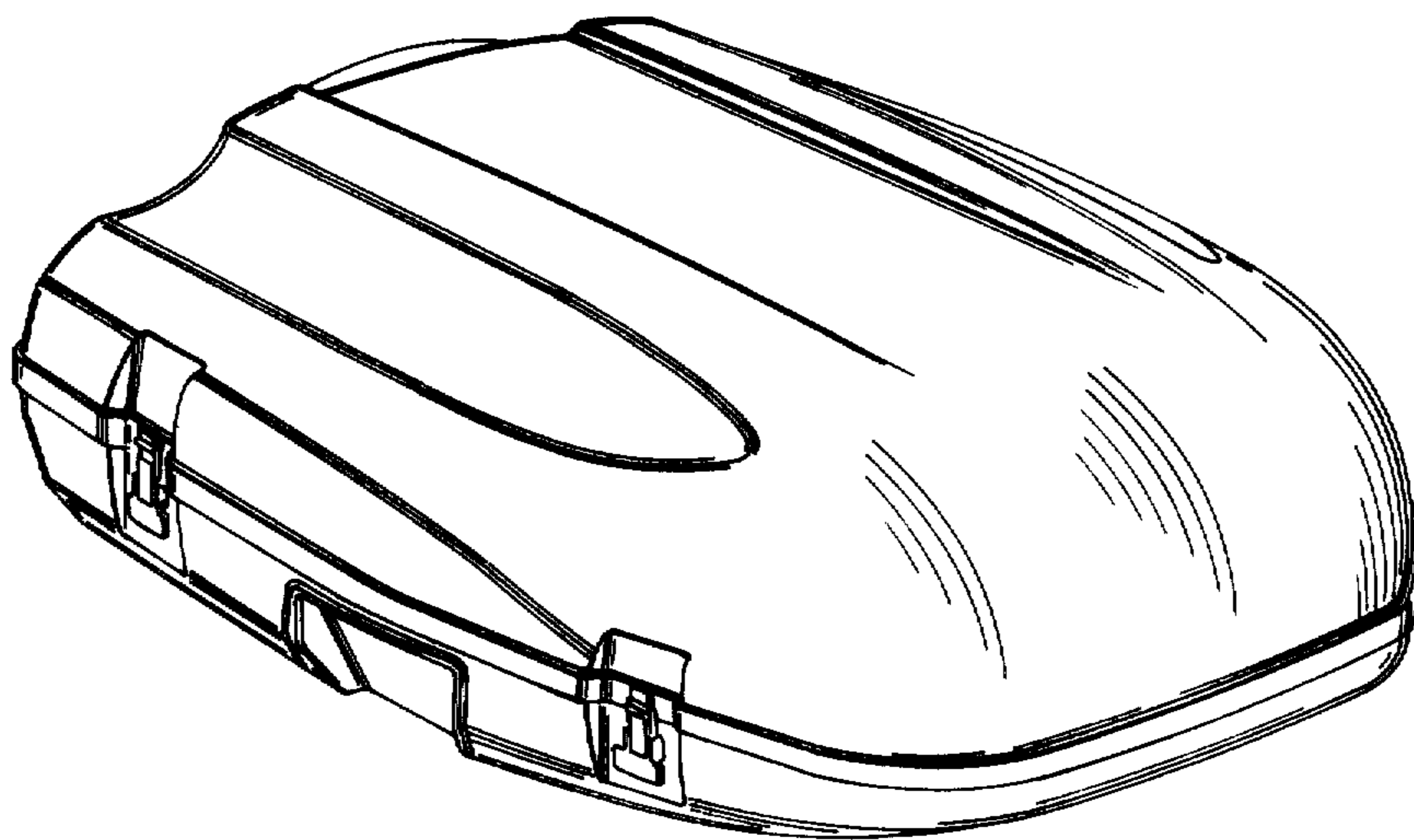


FIG. 3

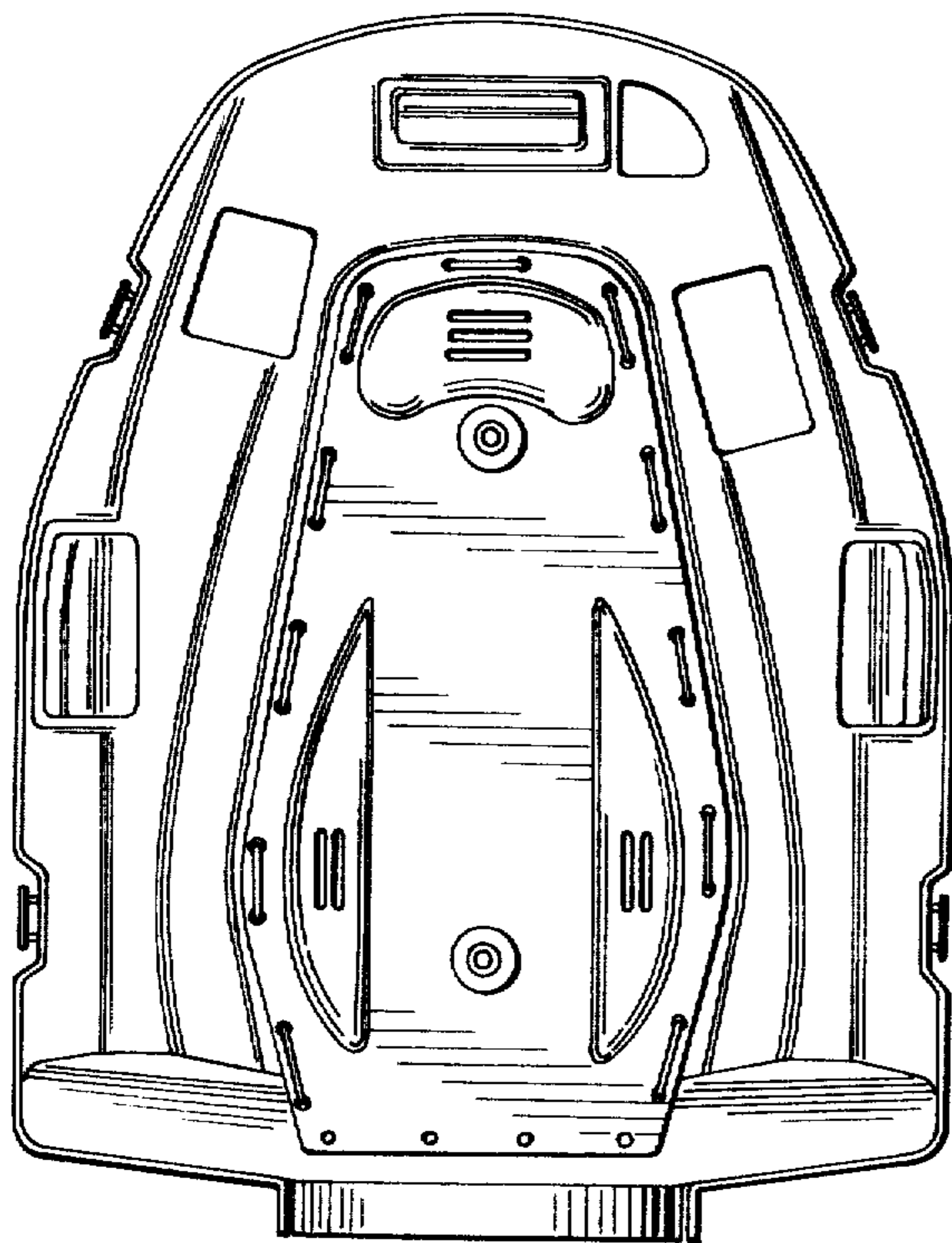


FIG. 4

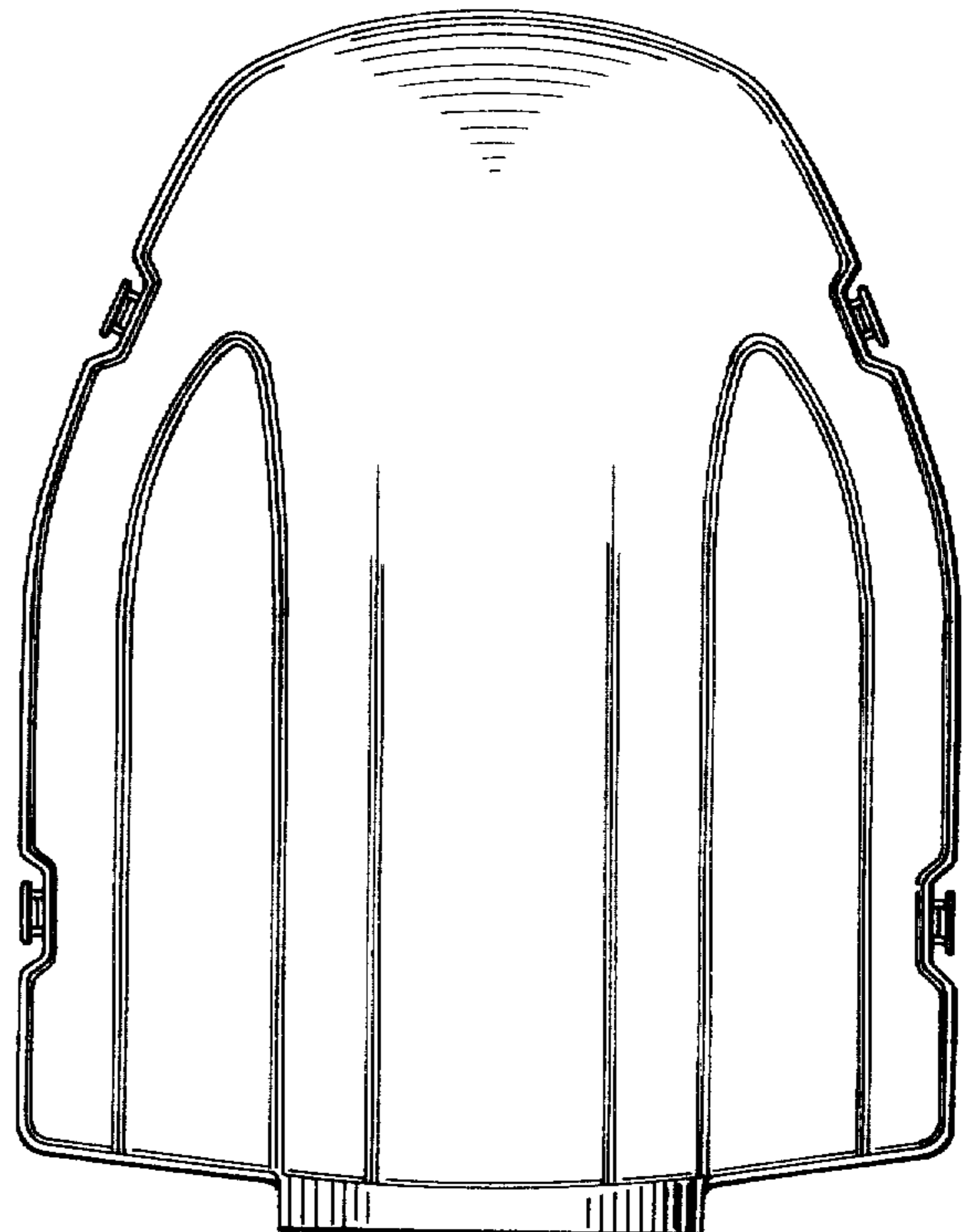


FIG. 5

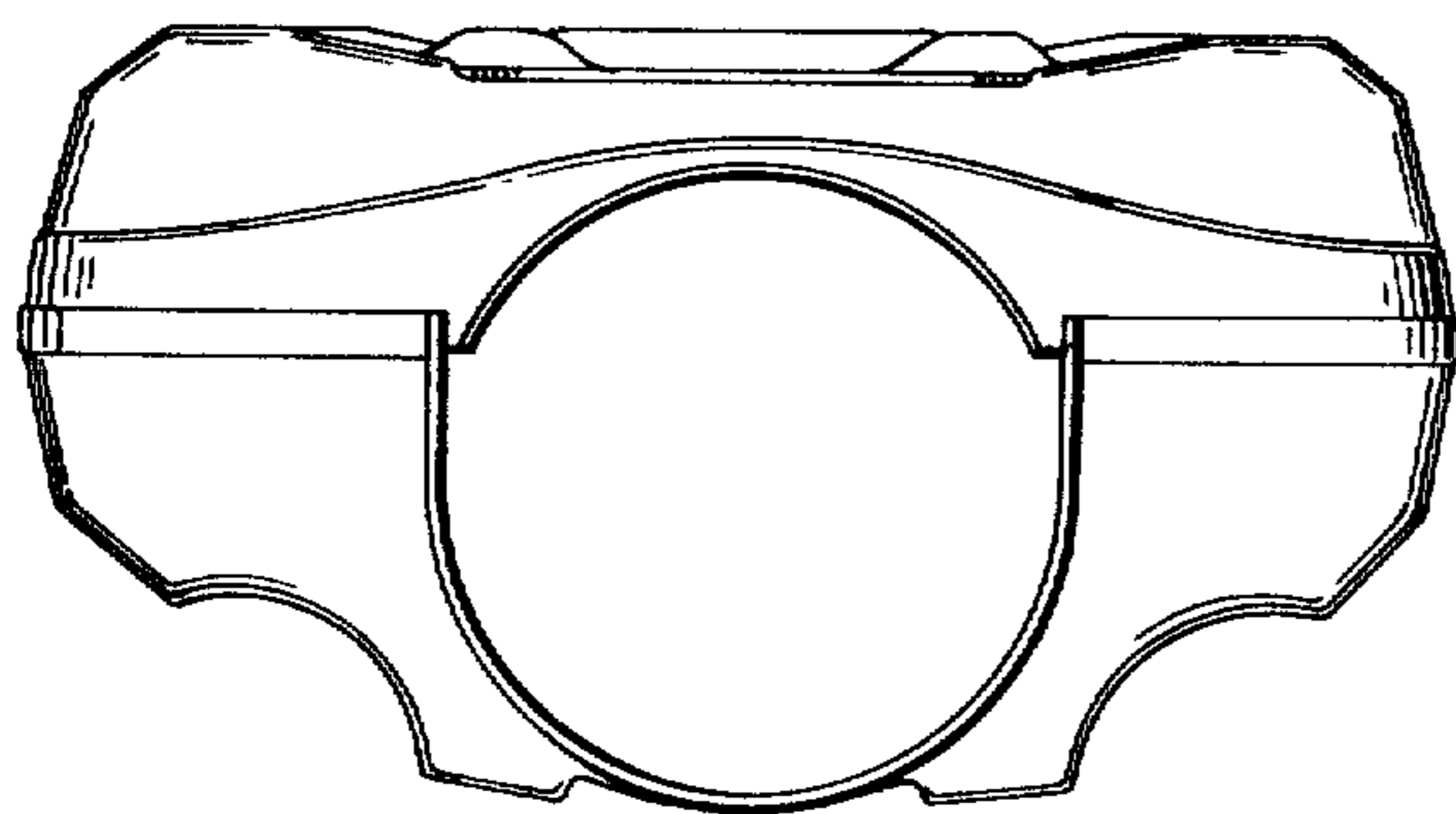


FIG. 6

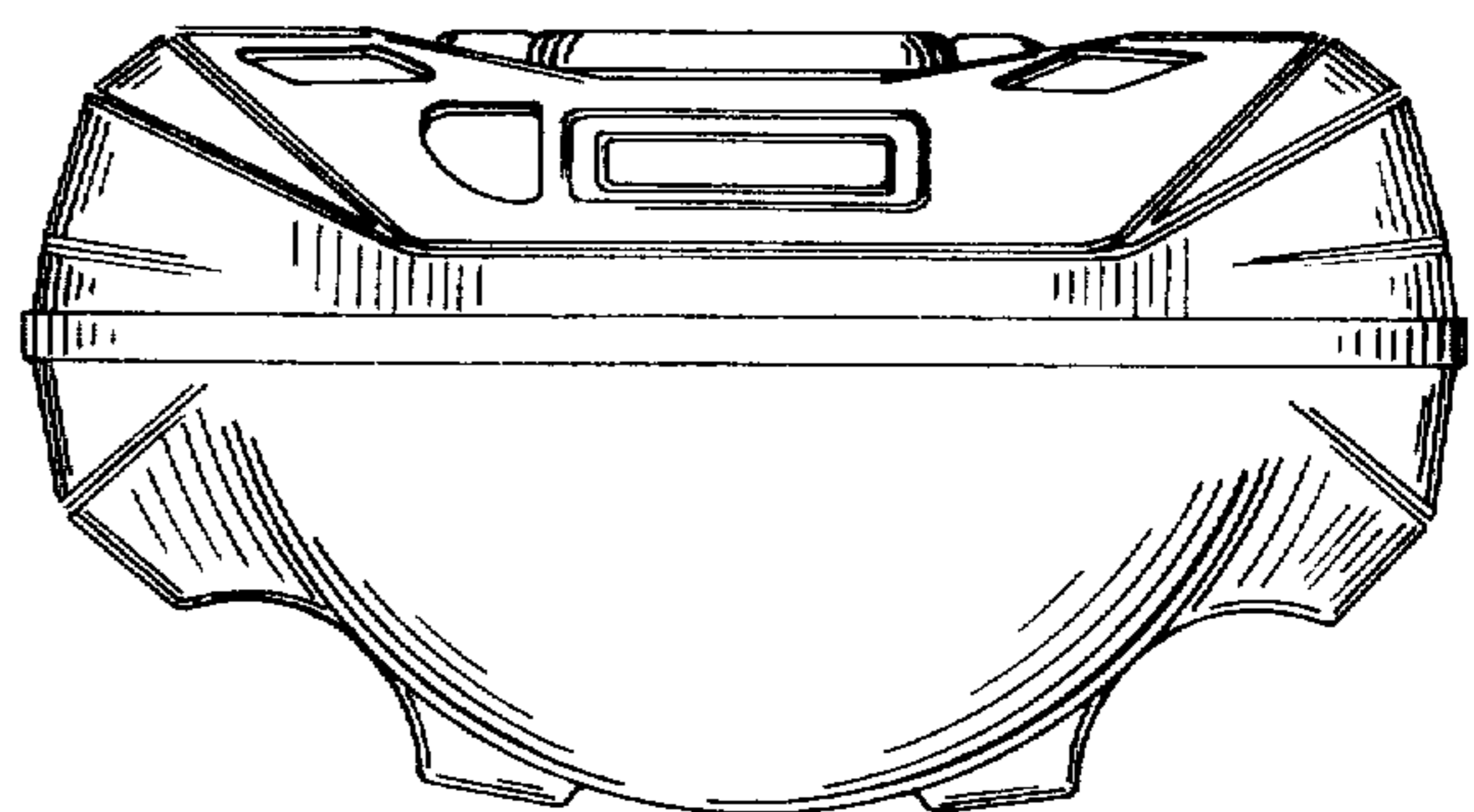


FIG. 7

