

[54] COSMETIC PENCIL OR THE LIKE

[75] Inventor: Enea Rho, Milan, Italy

[73] Assignee: Fabbrica Italiana Lapis Ed Affini (FILA) S.p.A., Italy

[**] Term: 14 Years

[21] Appl. No.: 486,326

[22] Filed: July 8, 1974

[30] Foreign Application Priority Data

June 28, 1974 Italy 21450/74

[51] Int. Cl. D28-03

[52] U.S. Cl. D28/7

[58] Field of Search D86/10 A, 10 G; D19/47, D19/51; 132/88.7, DIG. 3; 401/118, 124

[56] References Cited

U.S. PATENT DOCUMENTS

1,710,583 4/1929 Lindon D86/10 G
D. 137,866 5/1944 Loewy D19/51

FOREIGN PATENT DOCUMENTS

126,275 4/1901 Germany D86/10 D

OTHER PUBLICATIONS

Harpers Bazaar, Oct., 1949, p. 227, Item No. 4, Eye Pencil.

Drug & Cosmetic Industry, Aug. 1948, p. 197, middle extreme left, plaid lipstick tube.

Primary Examiner—Melvin B. Feifer
Attorney, Agent, or Firm—Robert E. Burns

[57] CLAIM

The ornamental design for a cosmetic pencil or the like, substantially as shown and described.

DESCRIPTION

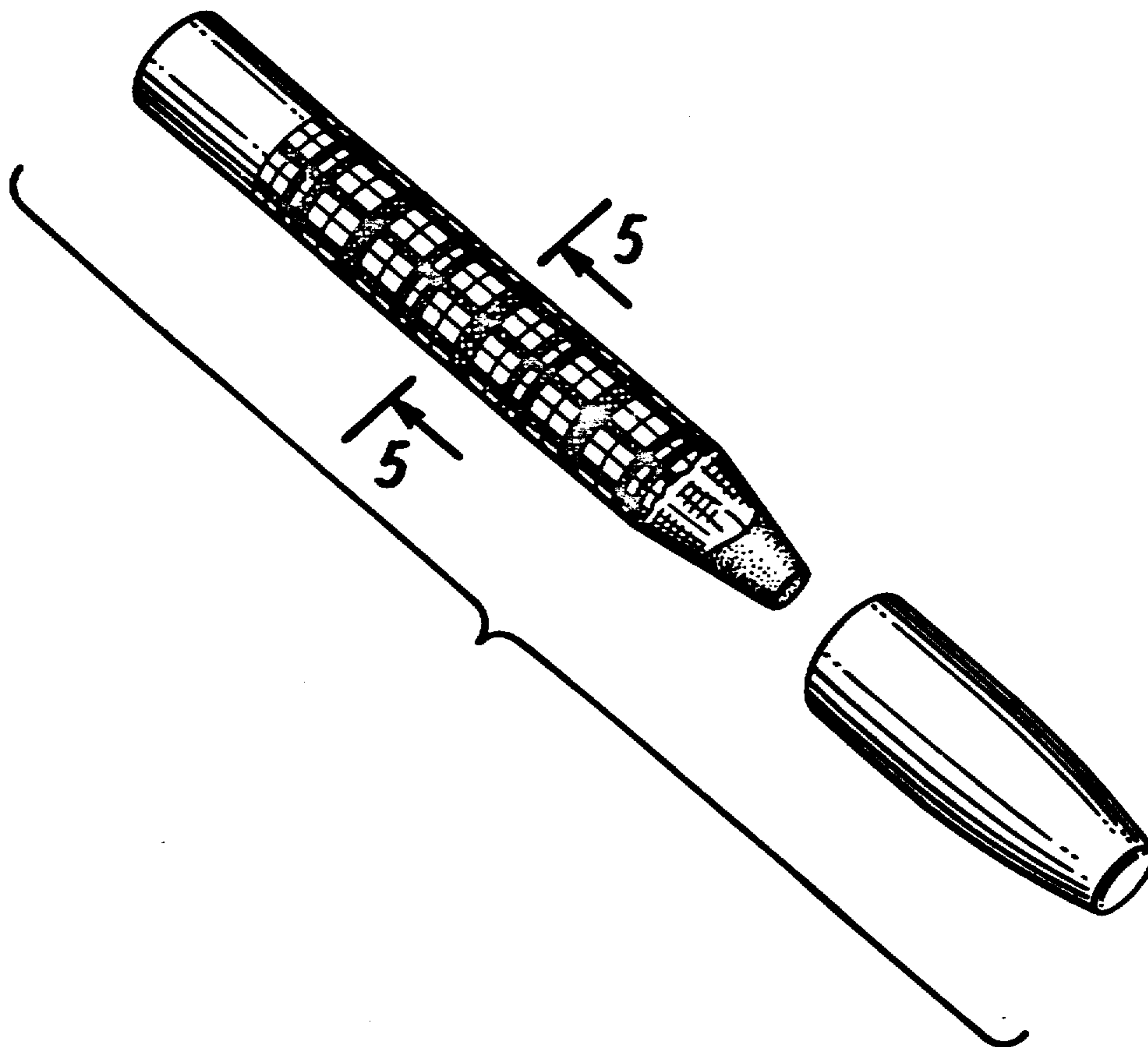
FIG. 1 is an exploded view of a cosmetic pencil or the like illustrating my new design.

FIG. 2 is a plan view of the cosmetic pencil or the like of FIG. 1.

FIG. 3 is a side elevation view of the cosmetic pencil or the like of FIG. 1.

FIG. 4 is a top end view of the cosmetic pencil or the like of FIG. 1.

FIG. 5 is a cross section view of an enlarged scale of the cosmetic pencil or the like of FIG. 1.



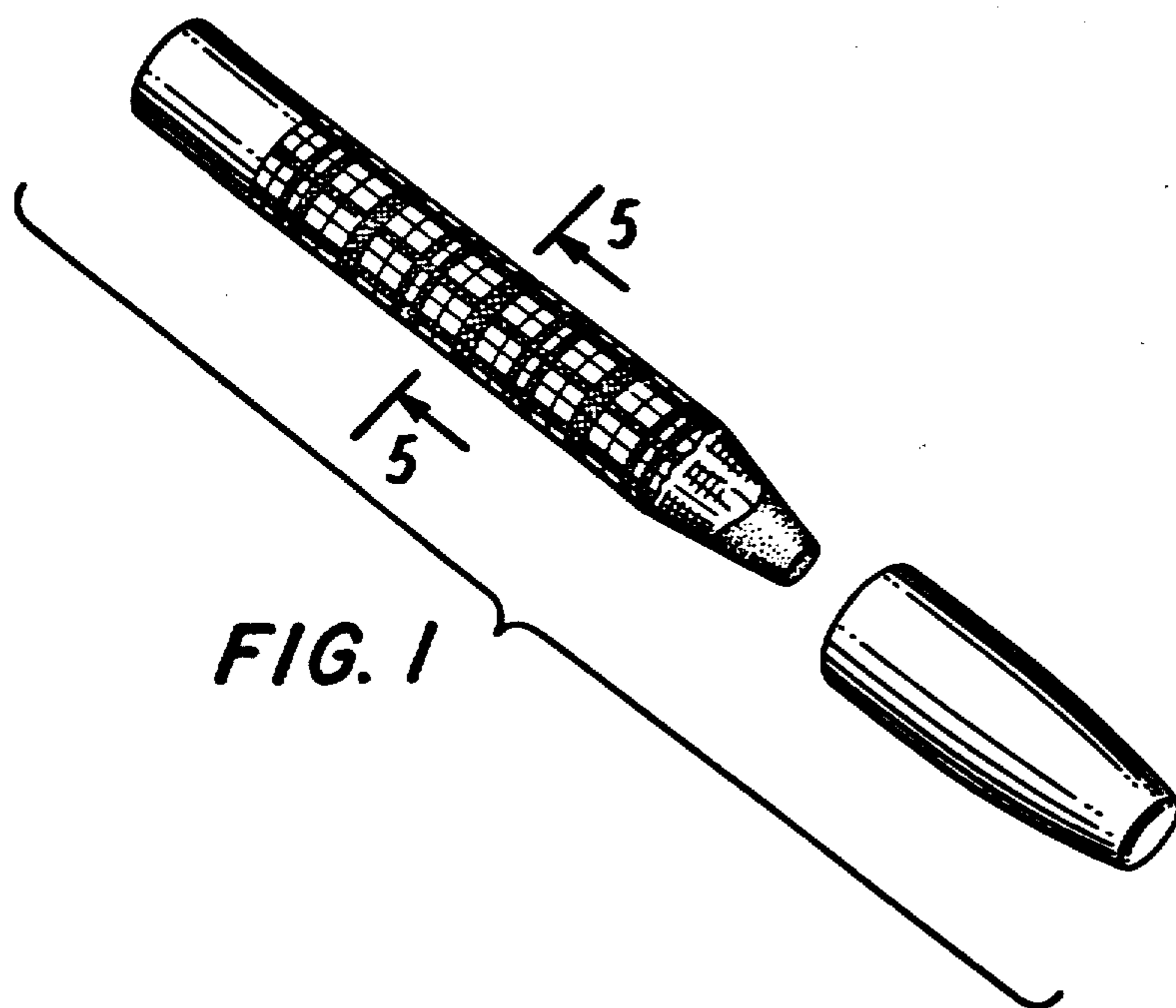


FIG. 1

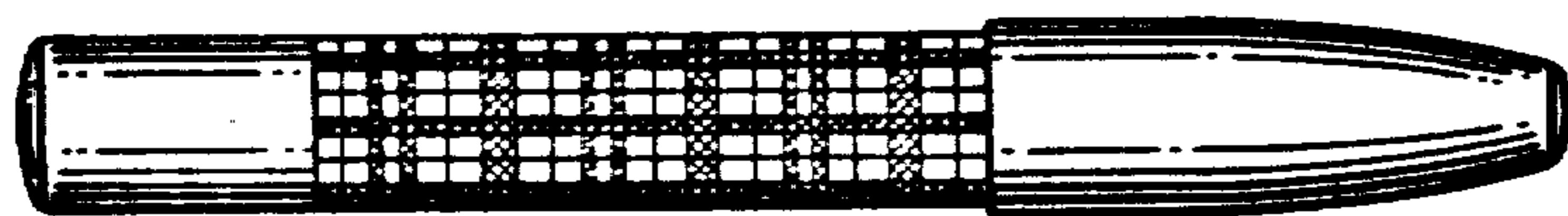


FIG. 2



FIG. 3

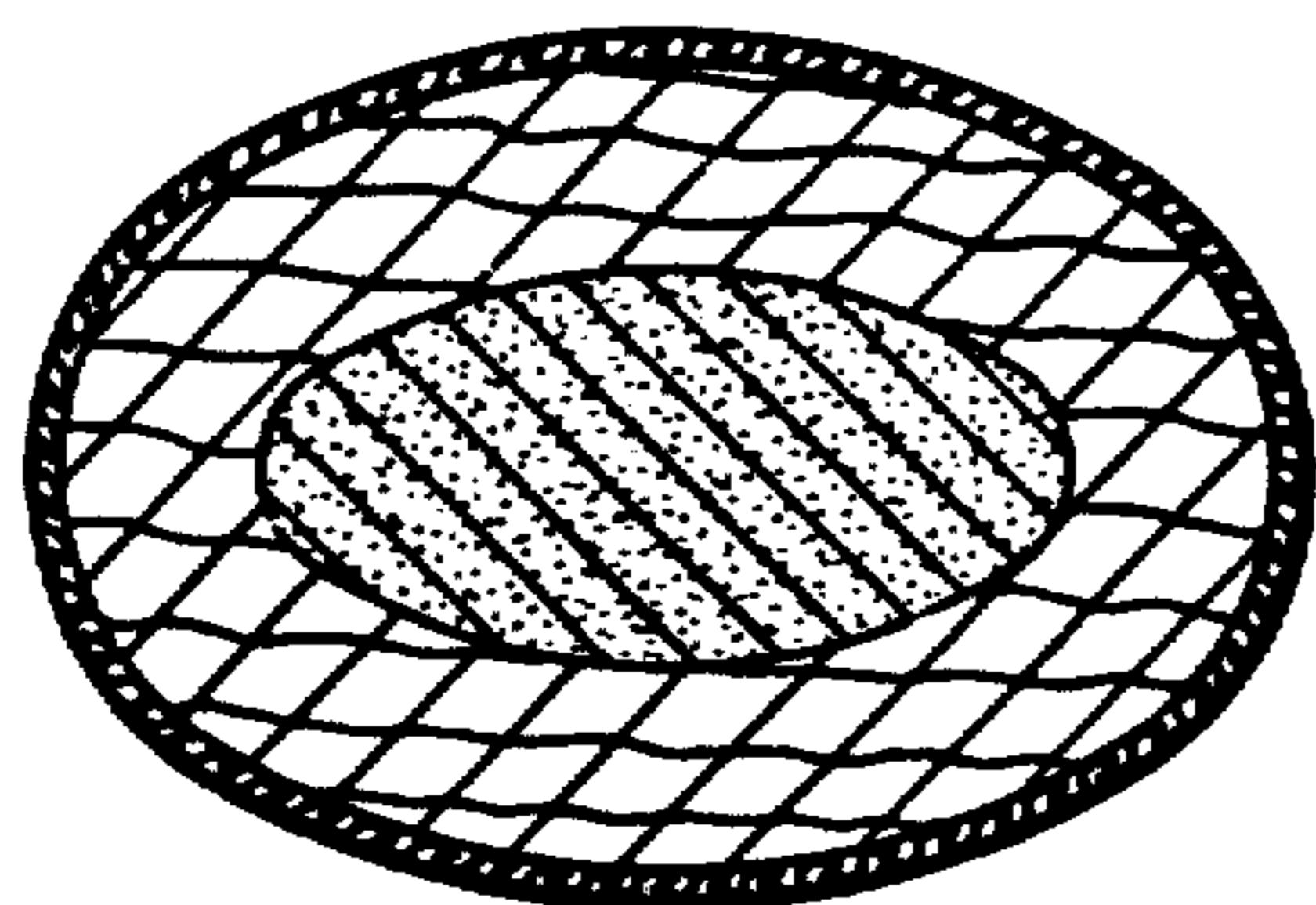


FIG. 5



FIG. 4