

[54] LIGHT BULB REFLECTOR

[76] Inventor: Sheldon D. Schwartz, 75 Gary Place, Staten Island, N.Y. 10314

[**] Term: 14 Years

[21] Appl. No.: 660,671

[22] Filed: Feb. 23, 1976

[51] Int. Cl. D26-05

[52] U.S. Cl. D48/16 D

[58] Field of Search D48/16 D; 240/103 R; 355/67; 240/41.32 C, 41.32 F, 41.32 E

[56] References Cited

U.S. PATENT DOCUMENTS

| | | | | |
|-----------|--------|----------|-------|-------------|
| 546,611 | 9/1895 | Gennert | | 240/103 R X |
| 1,415,595 | 5/1922 | McGrath | | 240/103 R X |
| 1,987,705 | 1/1935 | Pedersen | | 240/103 R |

| | | | | |
|-----------|--------|----------|-------|--------------|
| 2,497,676 | 2/1950 | Lashells | | 240/103 R UX |
| 3,812,342 | 5/1974 | McNamara | | D48/16 D UX |

Primary Examiner—Susie J. Mercer
Attorney, Agent, or Firm—Morris Kirschstein

[57] CLAIM

The ornamental design for a light bulb reflector, substantially as shown.

DESCRIPTION

FIG. 1 is a top plan view of the light bulb reflector showing my new design;

FIG. 2 is a front elevational view of the light bulb reflector;

FIG. 3 is a side view of the light bulb reflector; and

FIG. 4 is a rear elevational view of the light bulb reflector.

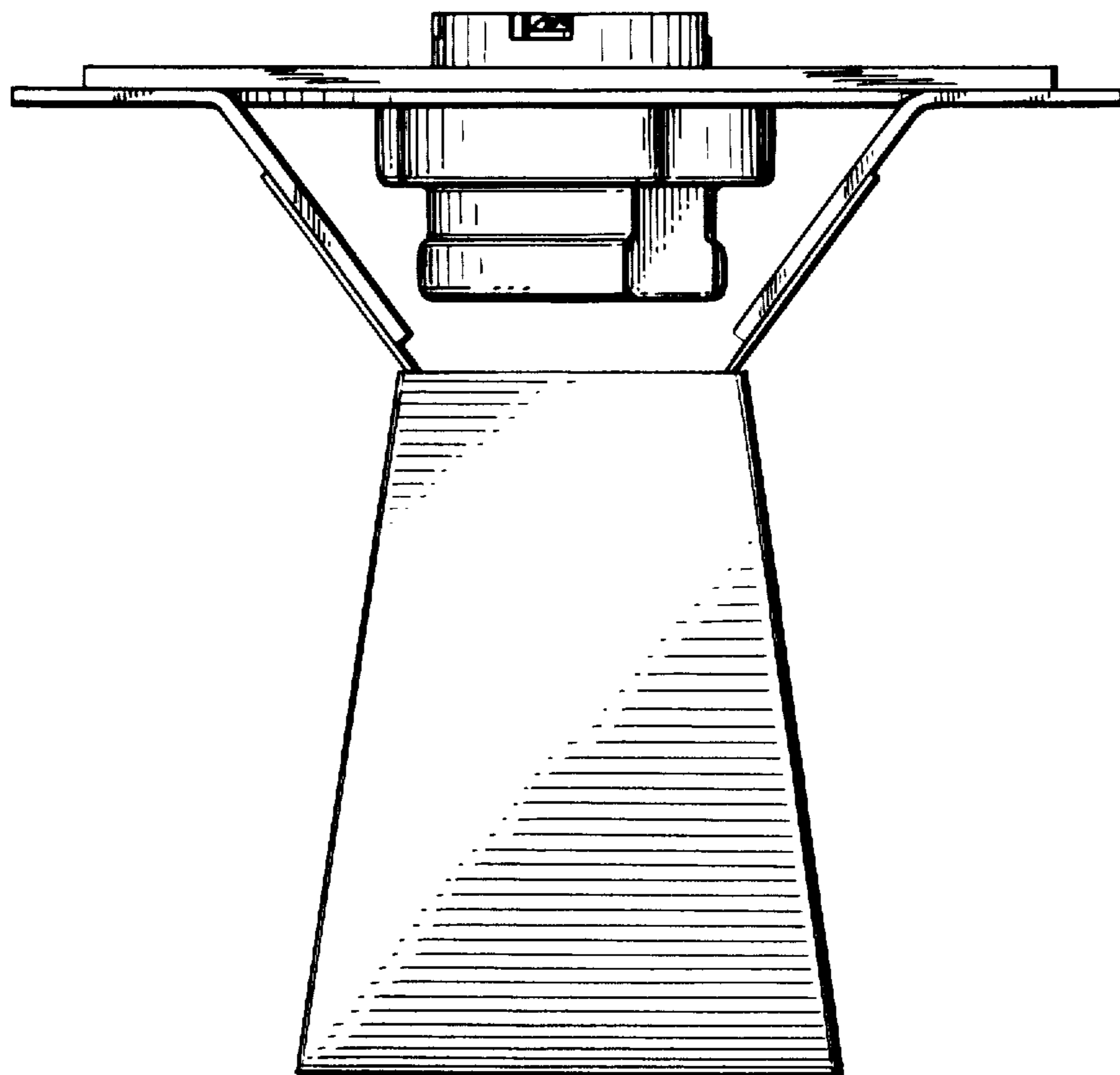


FIG. 1

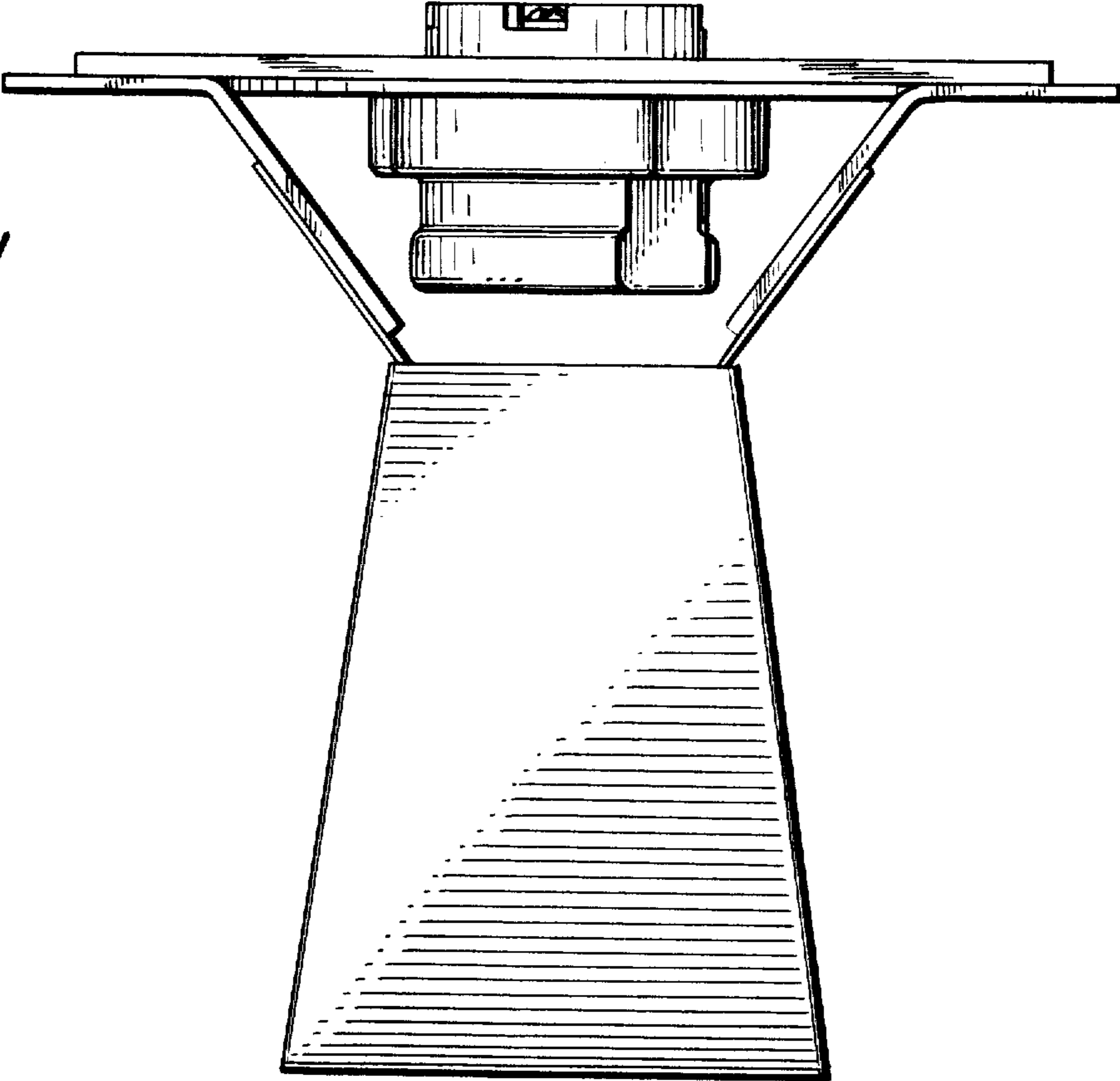


FIG. 2

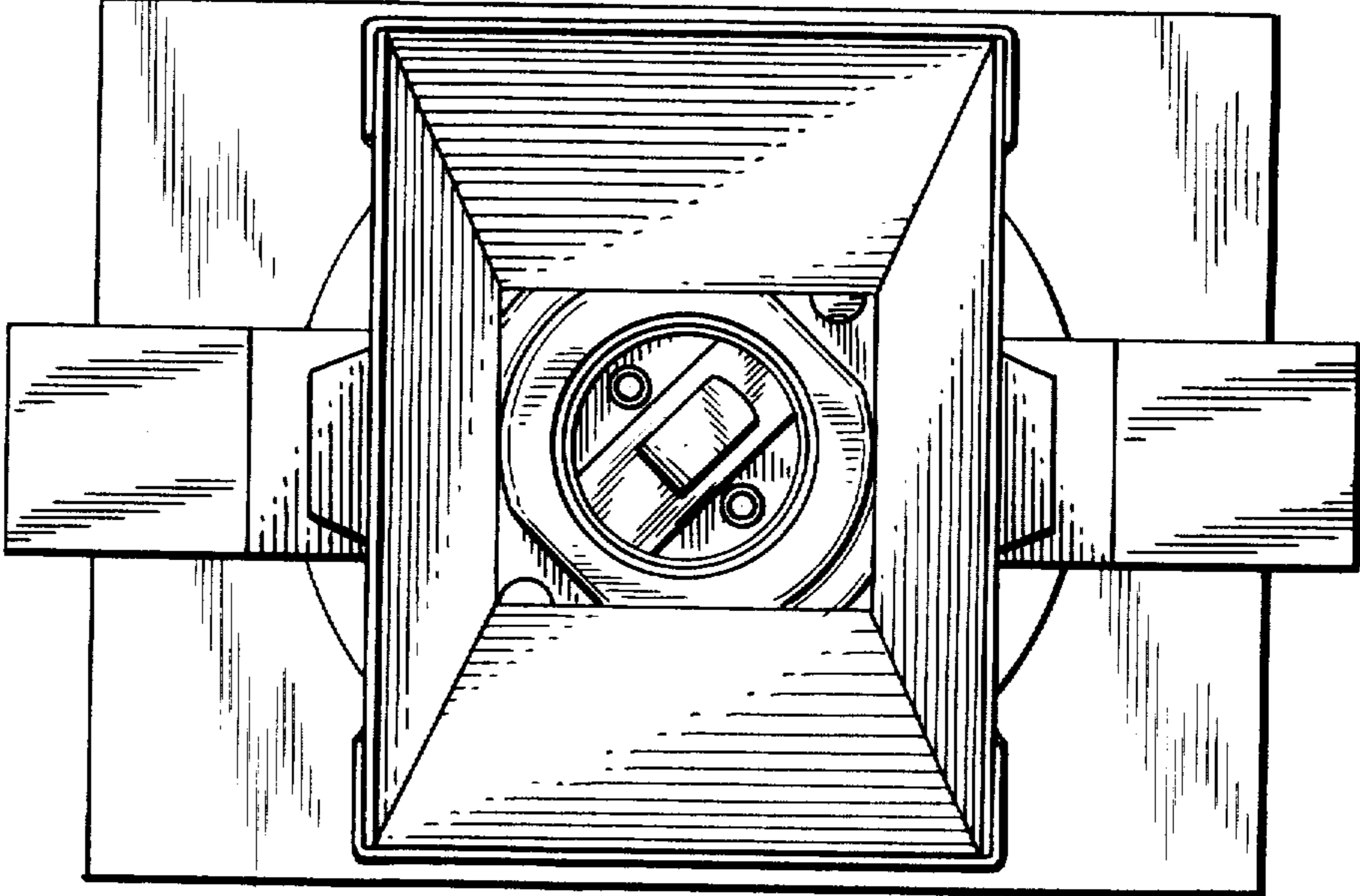


FIG. 3

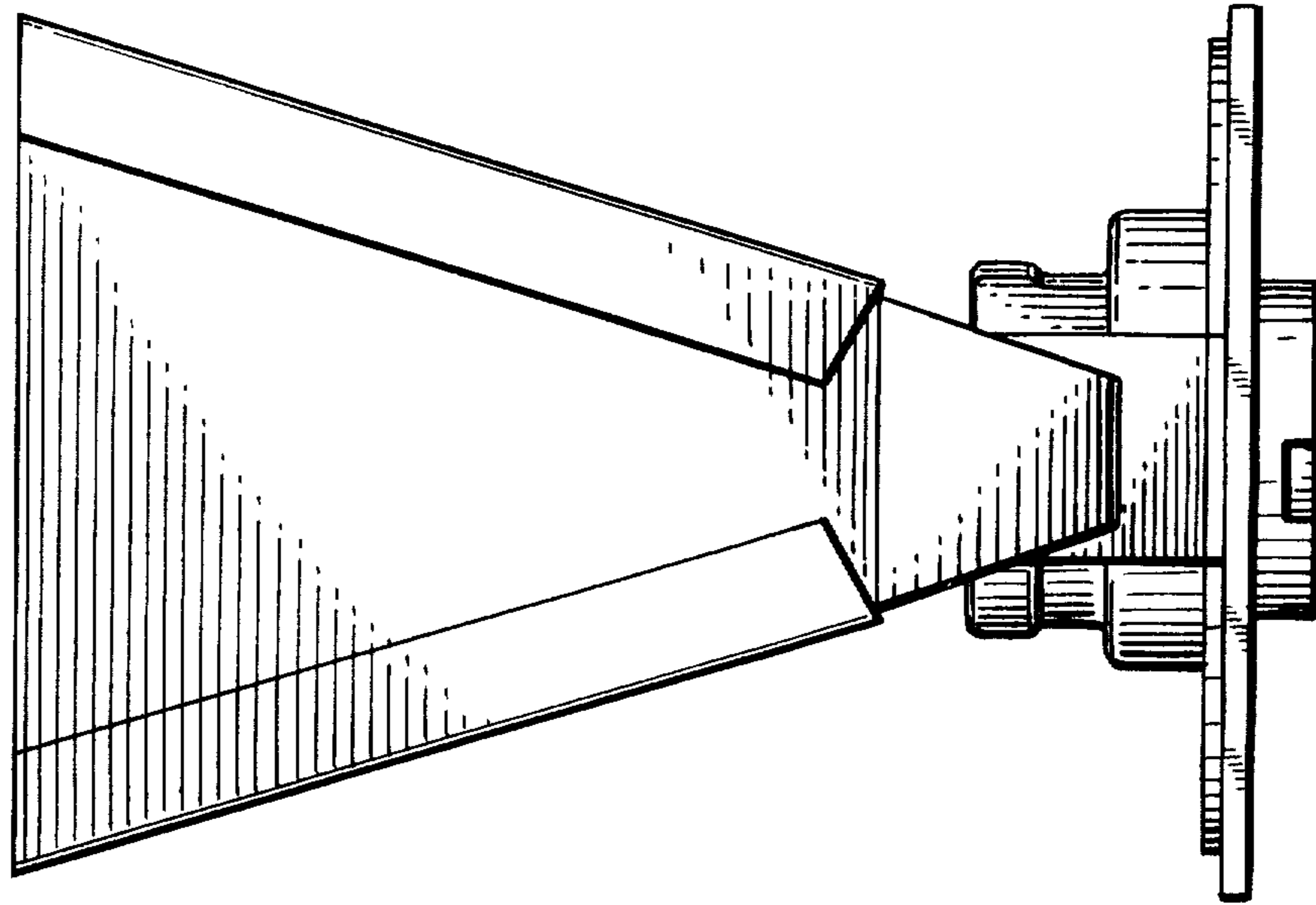


FIG. 4

