

[54] WALL-MOUNTED CANDLE STICK ASSEMBLY

[76] Inventor: Eugene P. Smith, 220 Spring St., Newport, R.I. 02840

[**] Term: 14 Years

[21] Appl. No.: 674,905

[22] Filed: Apr. 8, 1976

[51] Int. Cl. D26-01

[52] U.S. Cl. D48/2

[58] Field of Search D48/2, 4 A, 4 B; D29/23 A; 431/289, 296, 297

[56] References Cited

U.S. PATENT DOCUMENTS

D. 54,475	2/1920	Strahan	D48/4 B
D. 76,741	10/1928	Dym	D48/4 B
D. 164,507	9/1951	McCann	D48/4 B
D. 223,951	6/1972	Wentz	D48/2

OTHER PUBLICATIONS

Home Lighting & Accessories, Apr. 1971, p. 22 - bottom left, wall sconce.

Primary Examiner—Susie J. Mercer
Attorney, Agent, or Firm—Edward F. Levy

[57] CLAIM

The ornamental design for a wall-mounted candle stick assembly, substantially as shown.

DESCRIPTION

FIG. 1 is a front elevational view of a wall-mounted candle stick assembly embodying my new design; FIG. 2 is a side elevational view thereof; FIG. 3 is a top plan view thereof; FIG. 4 is a side elevational view similar to FIG. 2, but showing the candle stick removed from its support; FIG. 5 is a rear elevational view thereof; FIG. 6 is a bottom plan view thereof; and FIG. 7 is a sectional view taken along line 7-7 of FIG. 2.

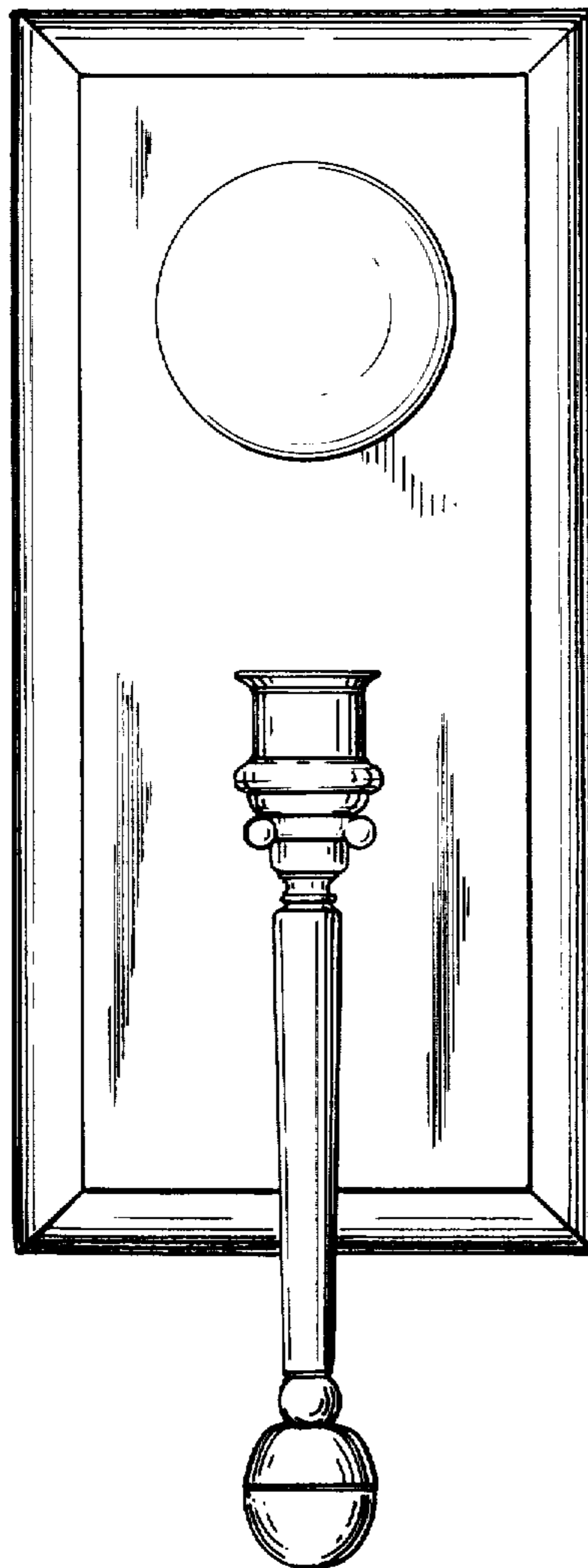


FIG. 1

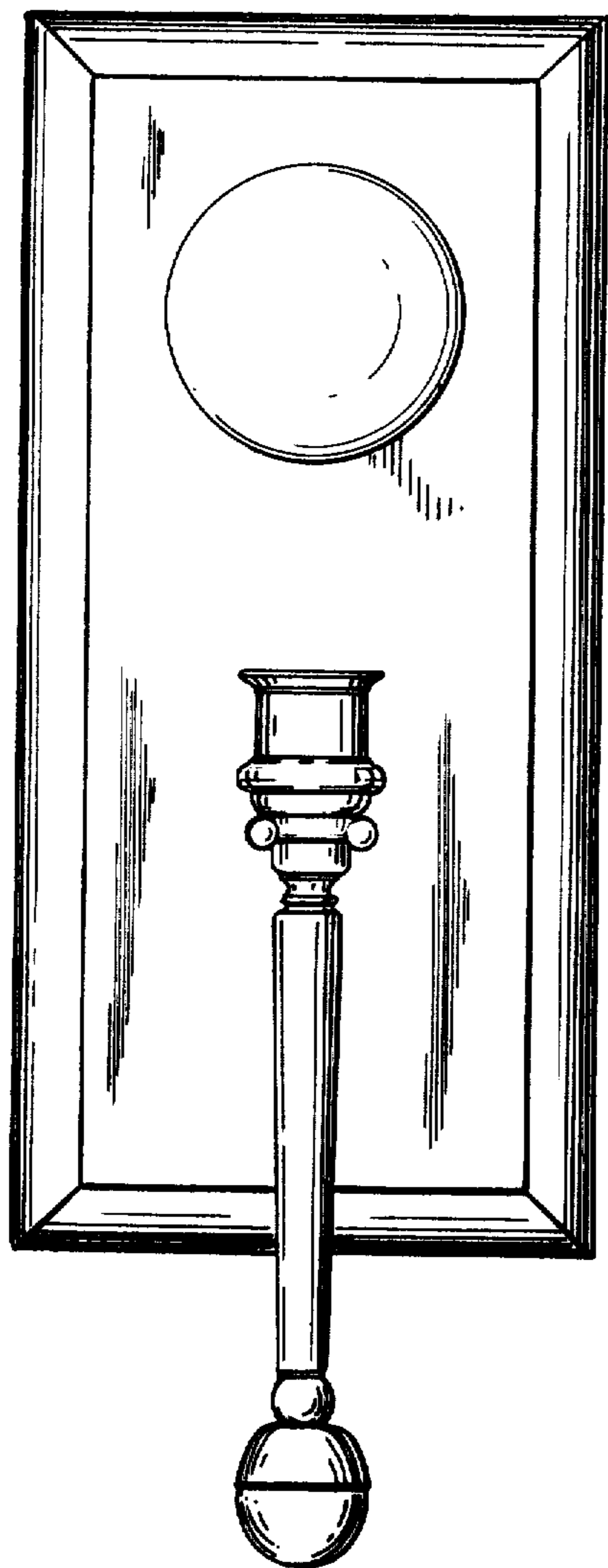


FIG. 2

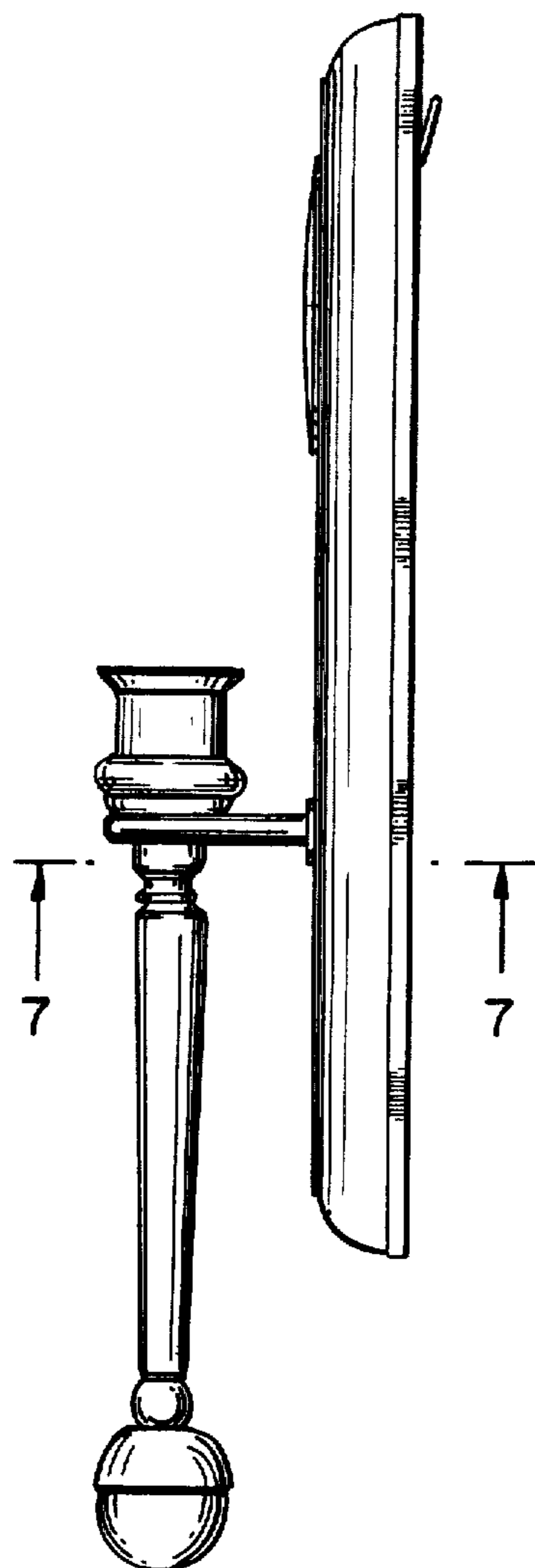


FIG. 3

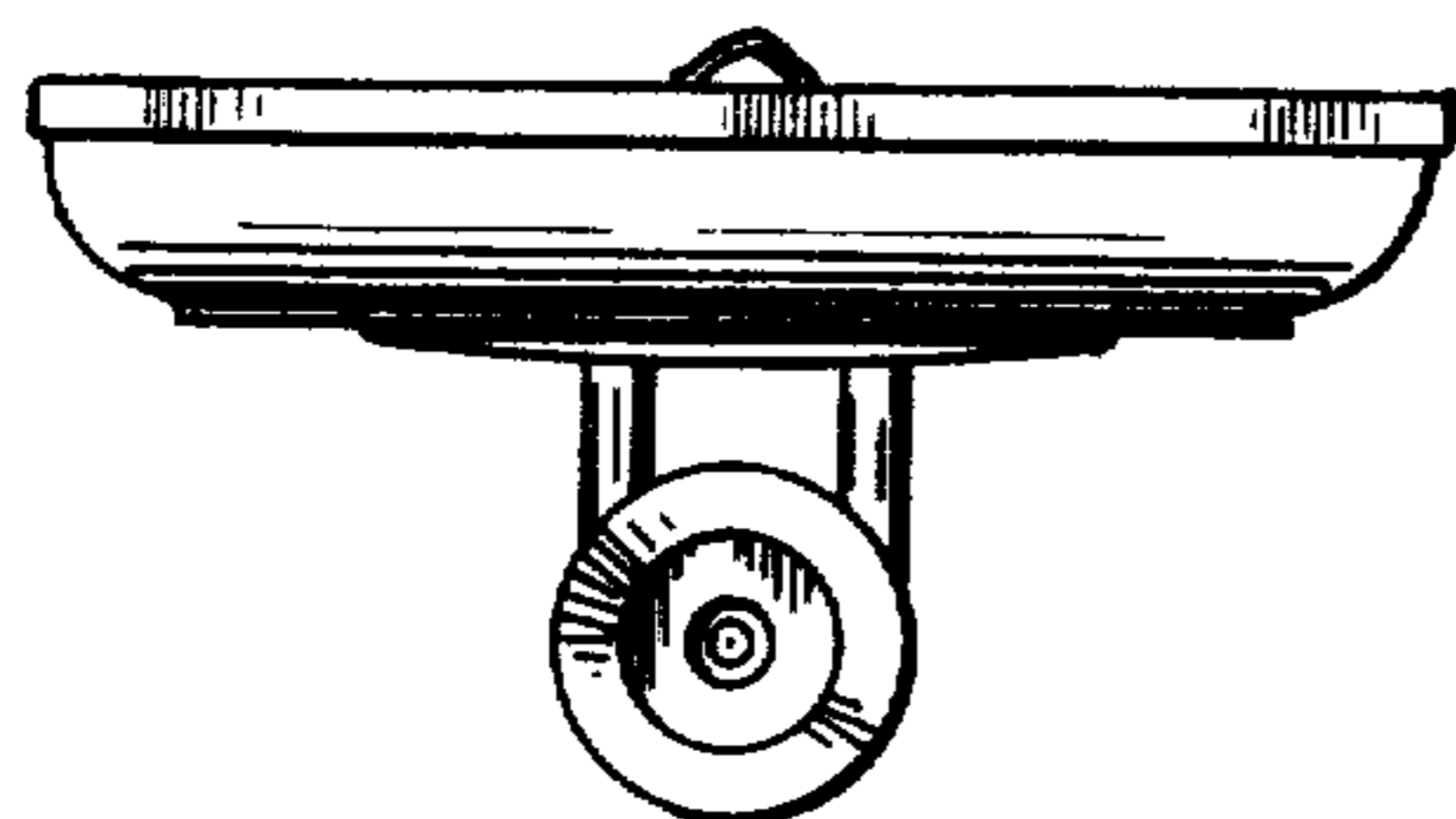


FIG. 7

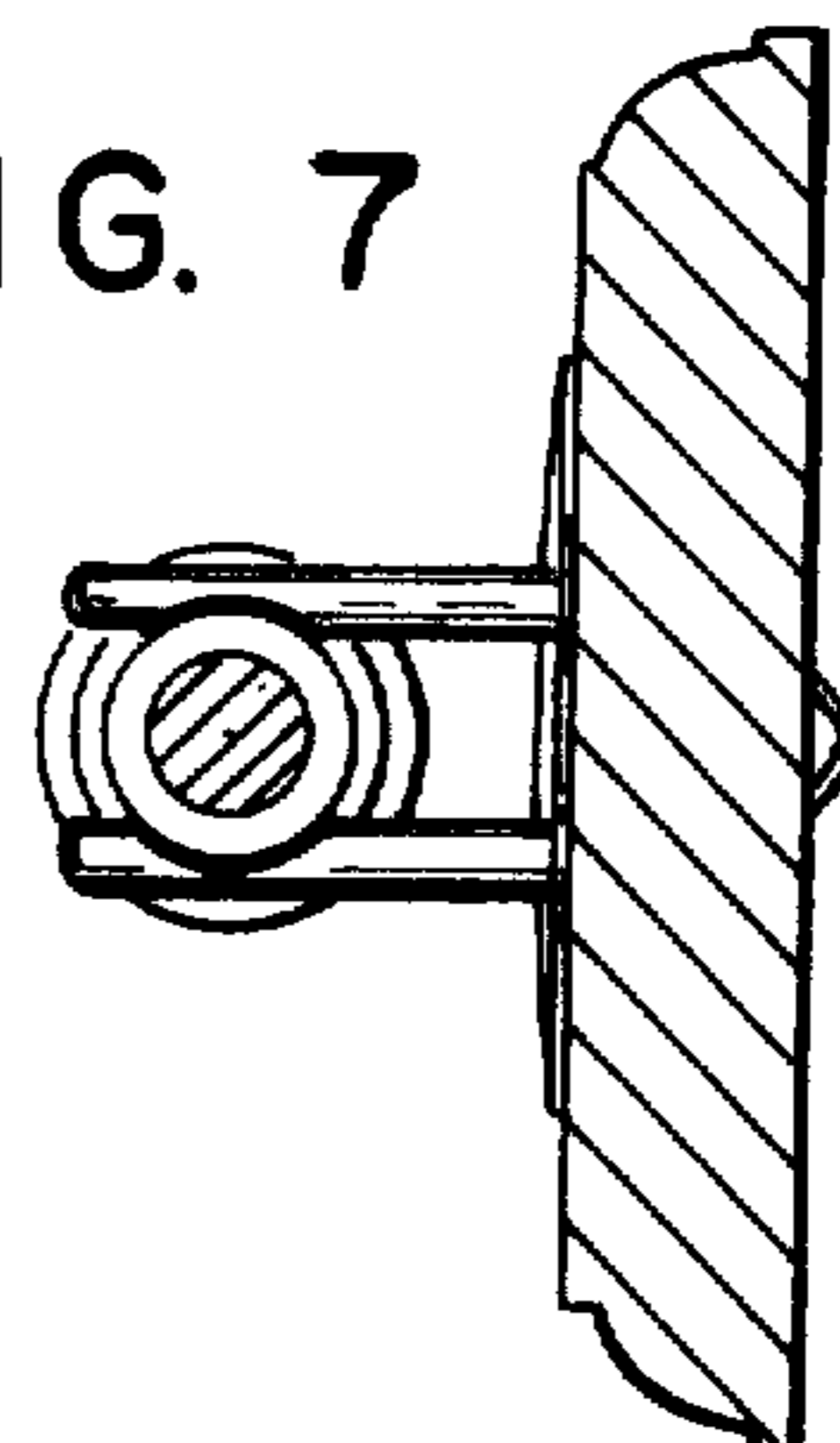


FIG. 4

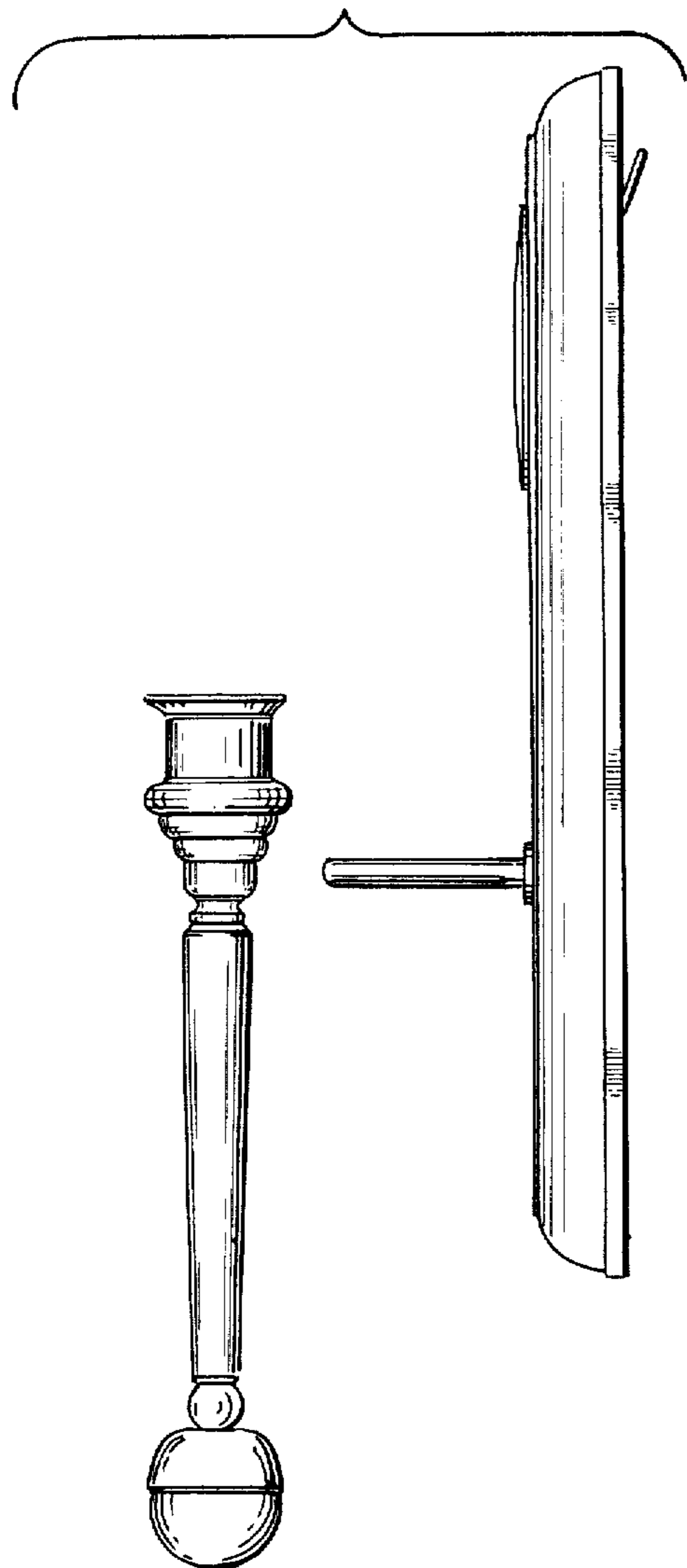


FIG. 5

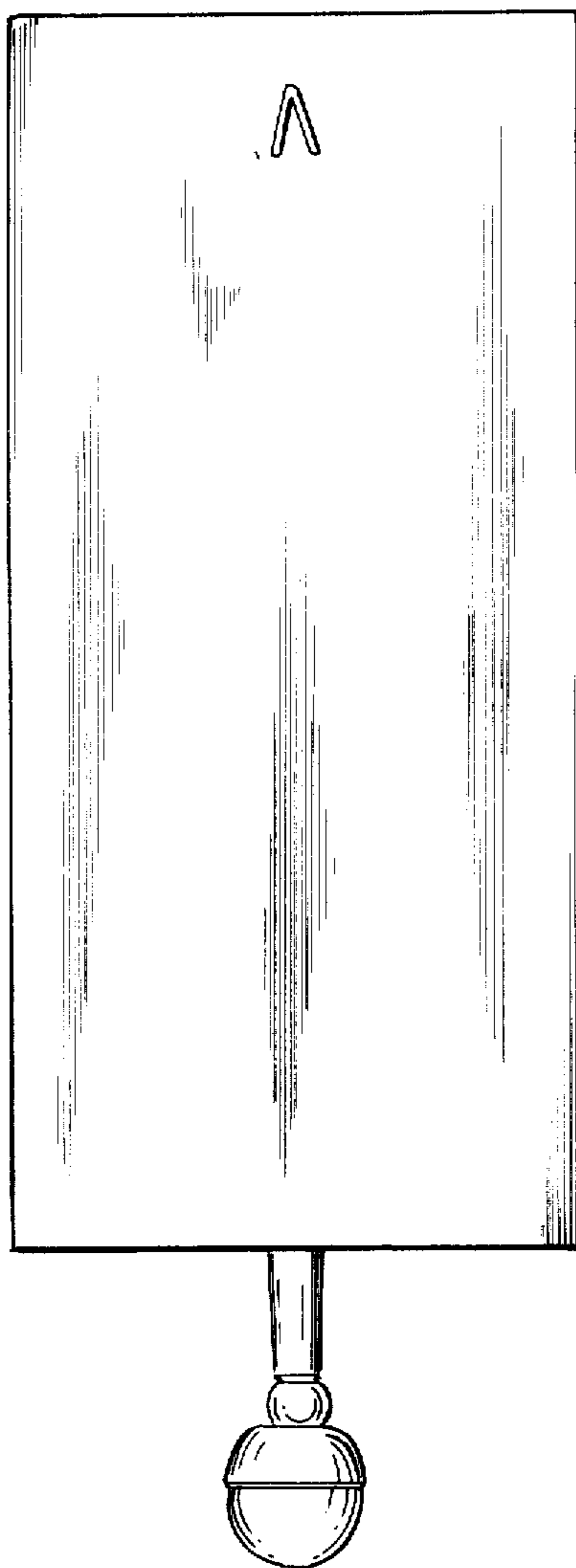


FIG. 6

