

[54] **COMBINED DIVOT AND CLEAT TOOL AND DISTANCE ESTIMATING DEVICE**

[76] Inventor: **Albert J. Williams, Jr.**, 901 Llanfair Road, Ambler, Pa. 19002

[**] Term: **14 Years**

[21] Appl. No.: **687,405**

[22] Filed: **May 14, 1976**

[51] Int. Cl. **D21-02**

[52] U.S. Cl. **D34/5 CB**

[58] Field of Search **D34/5 CB; 273/32 H; 33/277, 284**

[56] **References Cited**

U.S. PATENT DOCUMENTS

3,977,086 8/1976 Williams, Jr. **D34/5 CB**

Primary Examiner—Melvin B. Feifer

Attorney, Agent, or Firm—Frederick W. Powers

[57] **CLAIM**

The ornamental design for a combined divot and cleat tool and distance estimating device, substantially as shown and described.

DESCRIPTION

FIG. 1 is a perspective view of a combined divot and cleat tool and distance estimating device showing my new design;

FIG. 2 is a top plan view thereof;

FIG. 3 is a side elevational view from one side;

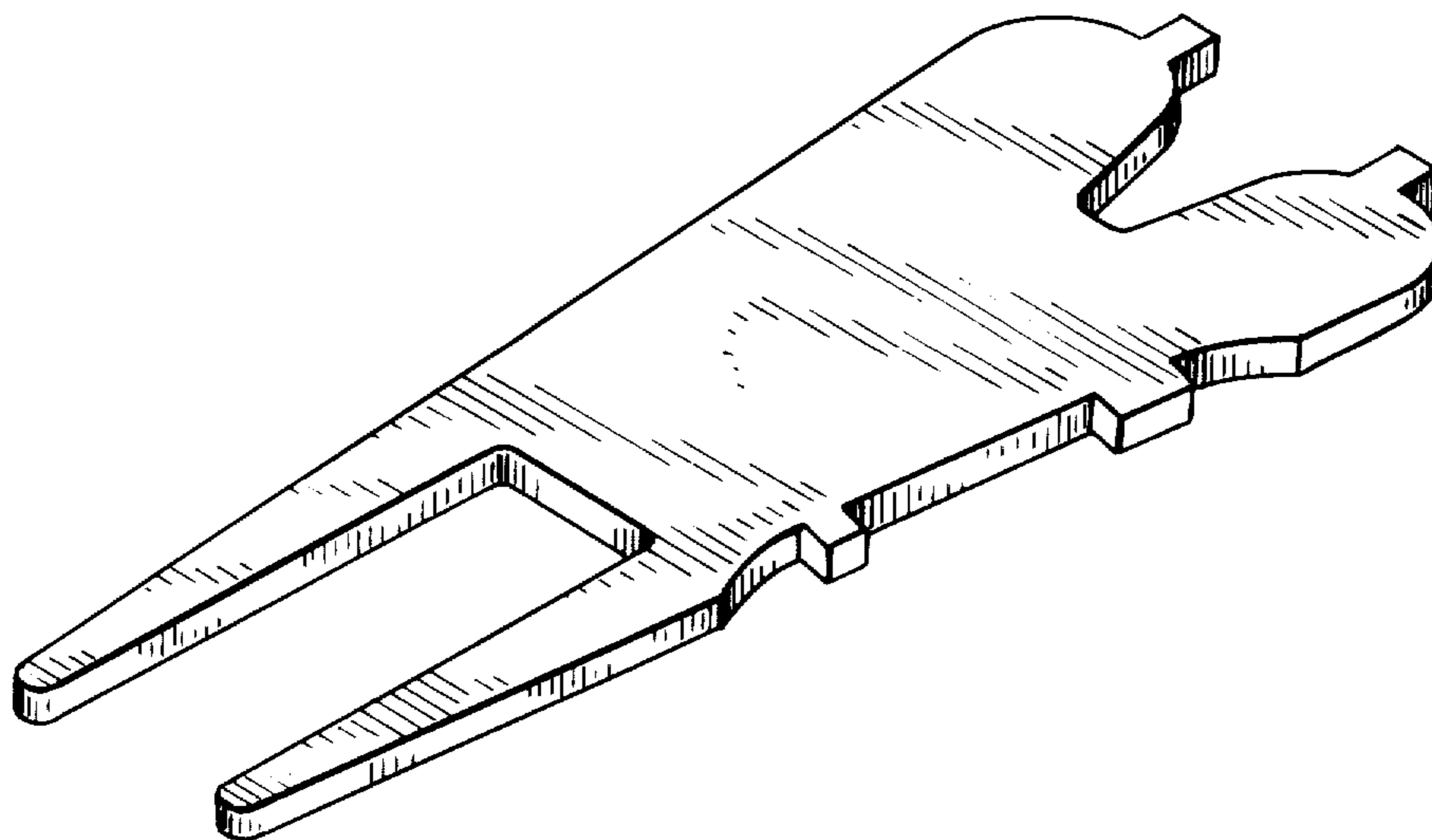
FIG. 3 is a side elevational view from one side;

FIG. 4 is an elevational view from the other side thereof;

FIG. 5 is an elevational view of the end appearing at the left of FIG. 3; and

FIG. 6 is an elevational view of the end appearing at the right of FIG. 3.

The characteristic feature of my design resides in the particular configuration of the sighting notches shown in combination with the divot tool.



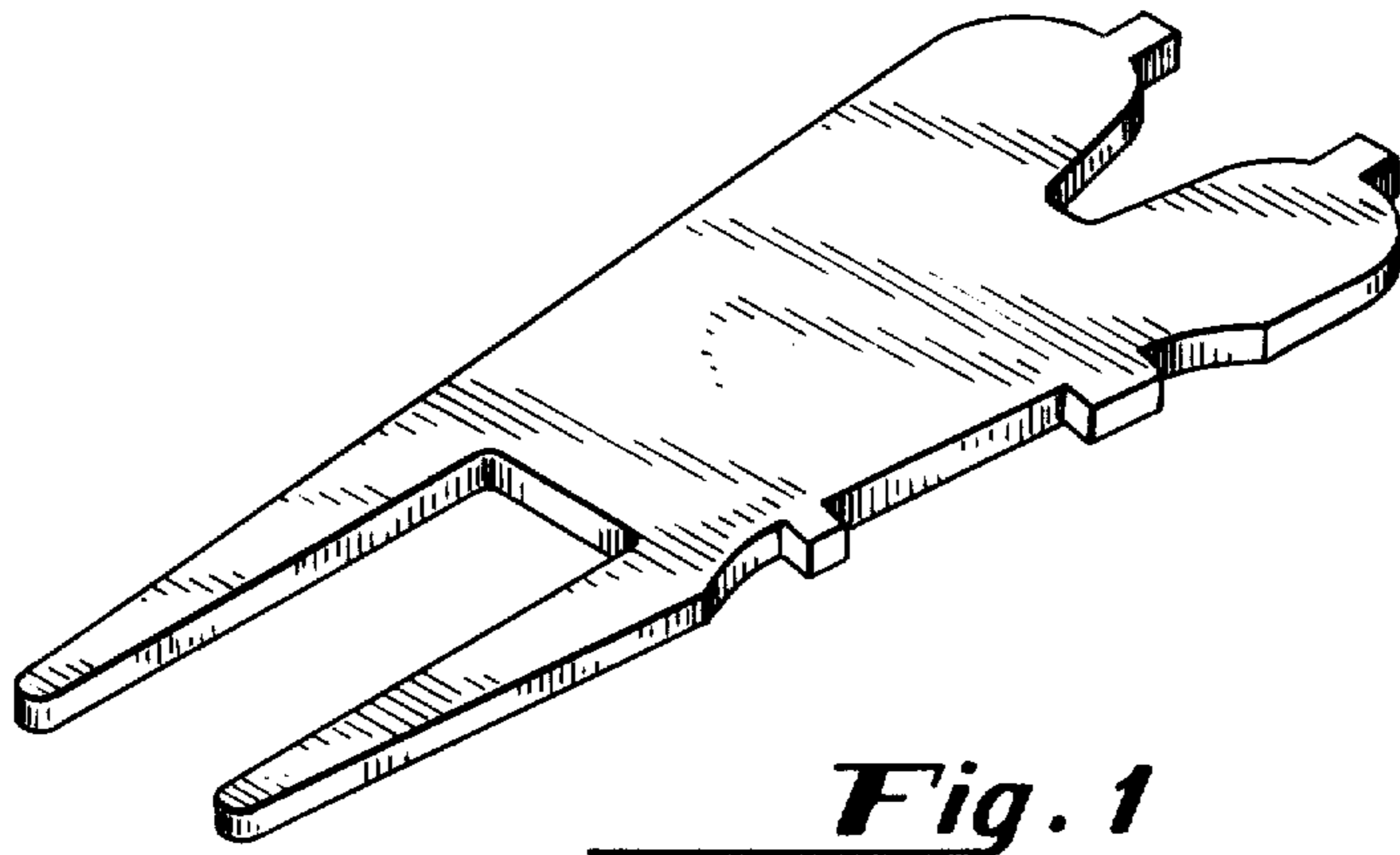


Fig. 1

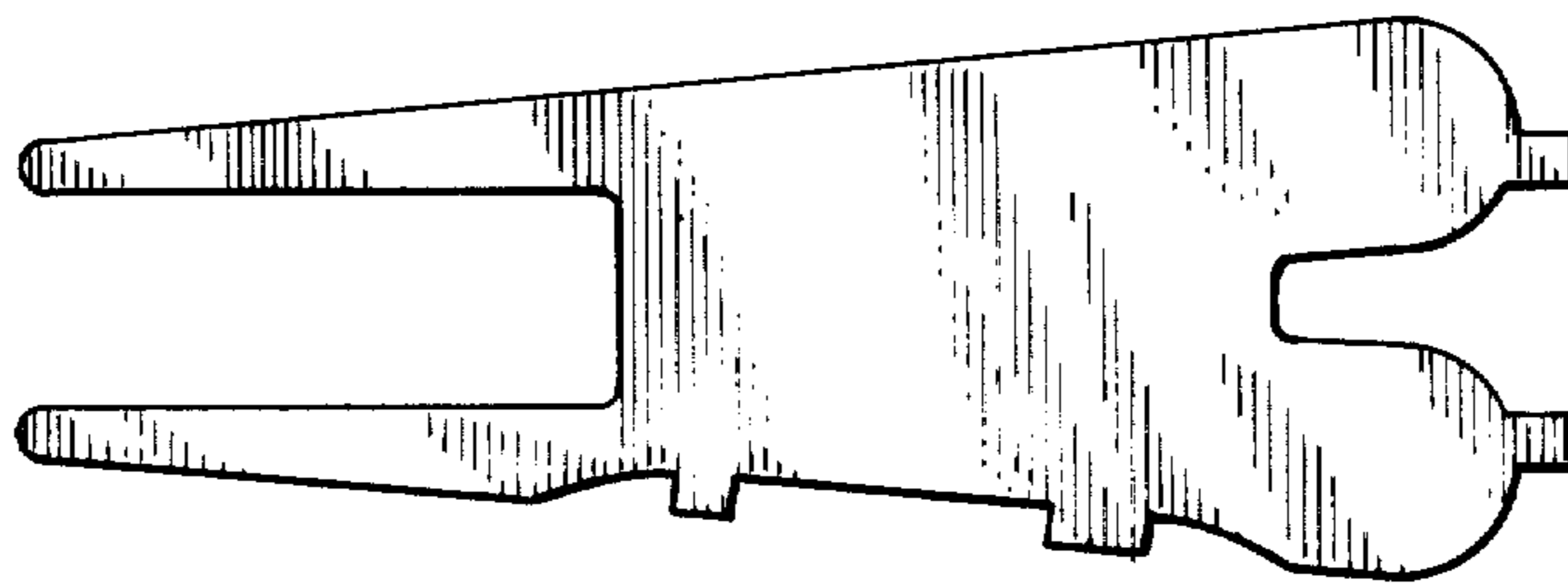


Fig. 2



Fig. 3

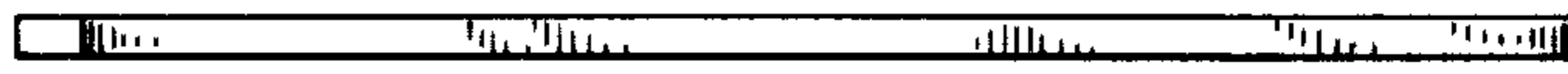


Fig. 4



Fig. 5



Fig. 6