

[54] BUILDING BRICK

[76] Inventor: Paul Thomas Hynes, 9 Trevor St., Ulverstone, Tasmania, Australia

[**] Term: 14 Years

[21] Appl. No.: 564,840

[22] Filed: Apr. 3, 1975

[30] Foreign Application Priority Data

Oct. 7, 1974 Australia 65833/74

[51] Int. Cl. D25-01

[52] U.S. Cl. D25/87

[58] Field of Search D18/2 R, 2 B; 52/311, 52/312, 313, 314, 315, 604, 605, 615, 590; D25/80, 87, 88, 91, 92

[56] References Cited

U.S. PATENT DOCUMENTS

783,452	2/1905	Morenus	D18/2 R
1,186,673	6/1916	Mallet	D18/2 R
2,610,503	9/1952	Hall	D18/2 R
2,853,872	9/1958	Samuel	D18/2 R

D. 198,527 6/1964 Long D18/2 R

Primary Examiner—A. Hugo Word
Attorney, Agent, or Firm—Donald D. Jeffery

[57] CLAIM

The ornamental design for a building brick, as shown and described.

DESCRIPTION

FIG. 1, is a perspective view from the top at one end of a building brick showing my new design;

FIG. 2, is an underside perspective view from the other end of the brick;

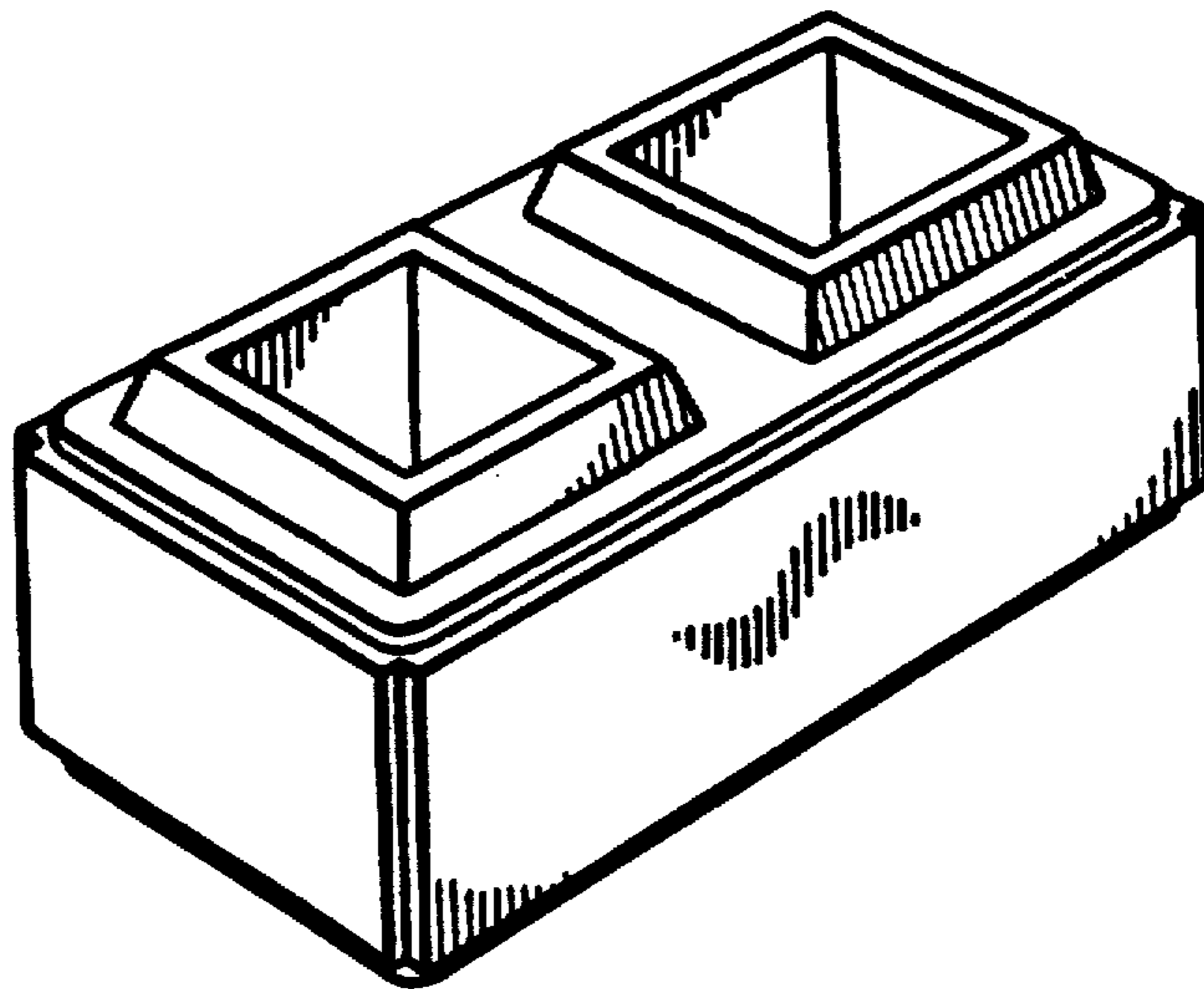
FIG. 3, is a top plan view;

FIG. 4, is an underside plan view;

5, is a side elevation; and

FIG. 6, is an end elevation.

The characteristic features of my design reside in the provision of square beveled projections on the upper face of the brick and complementary beveled recesses on the under surface and with two apertures through the body of the brick each connecting a beveled projection with a beveled recess in the under surface.



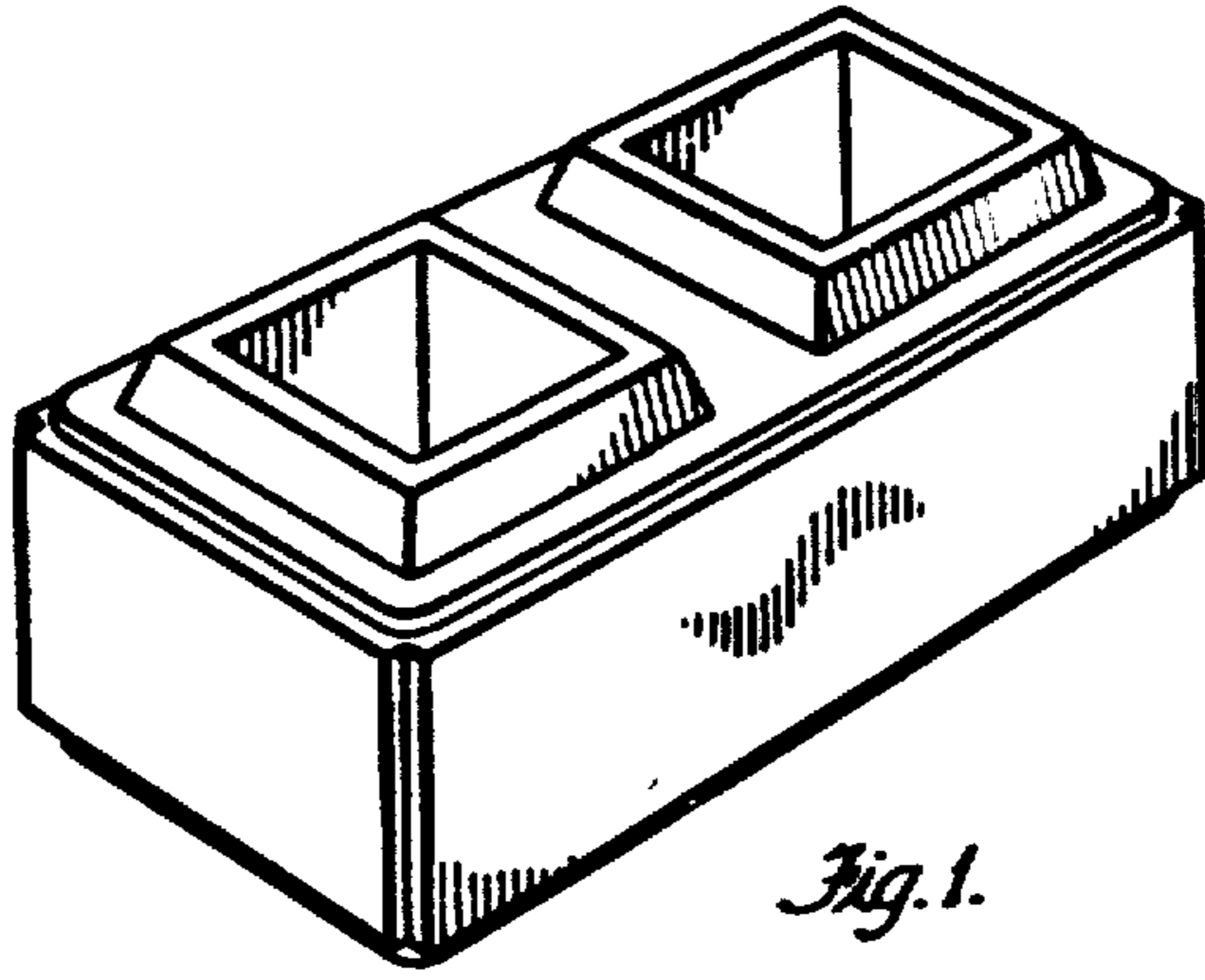


Fig. 1.

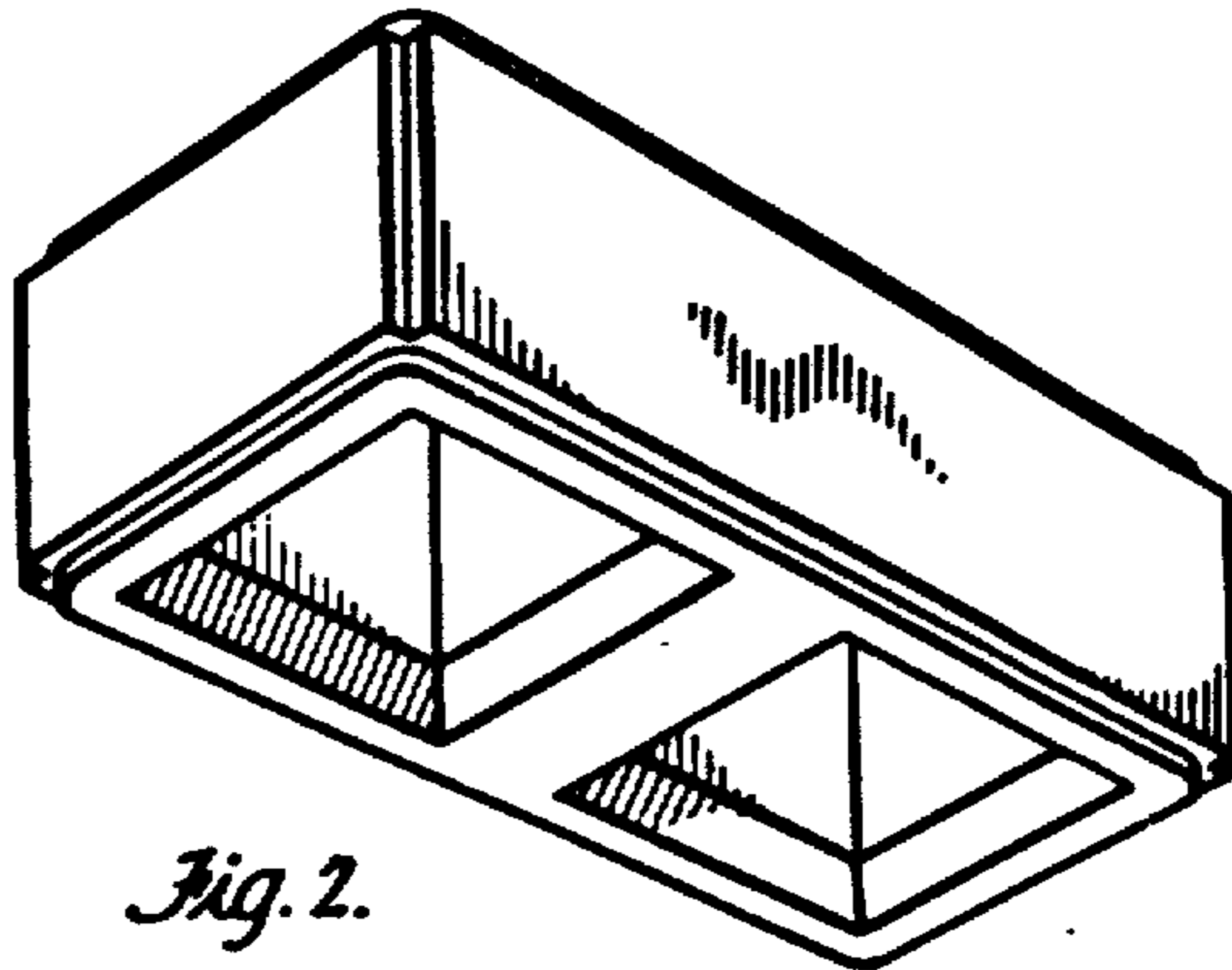


Fig. 2.

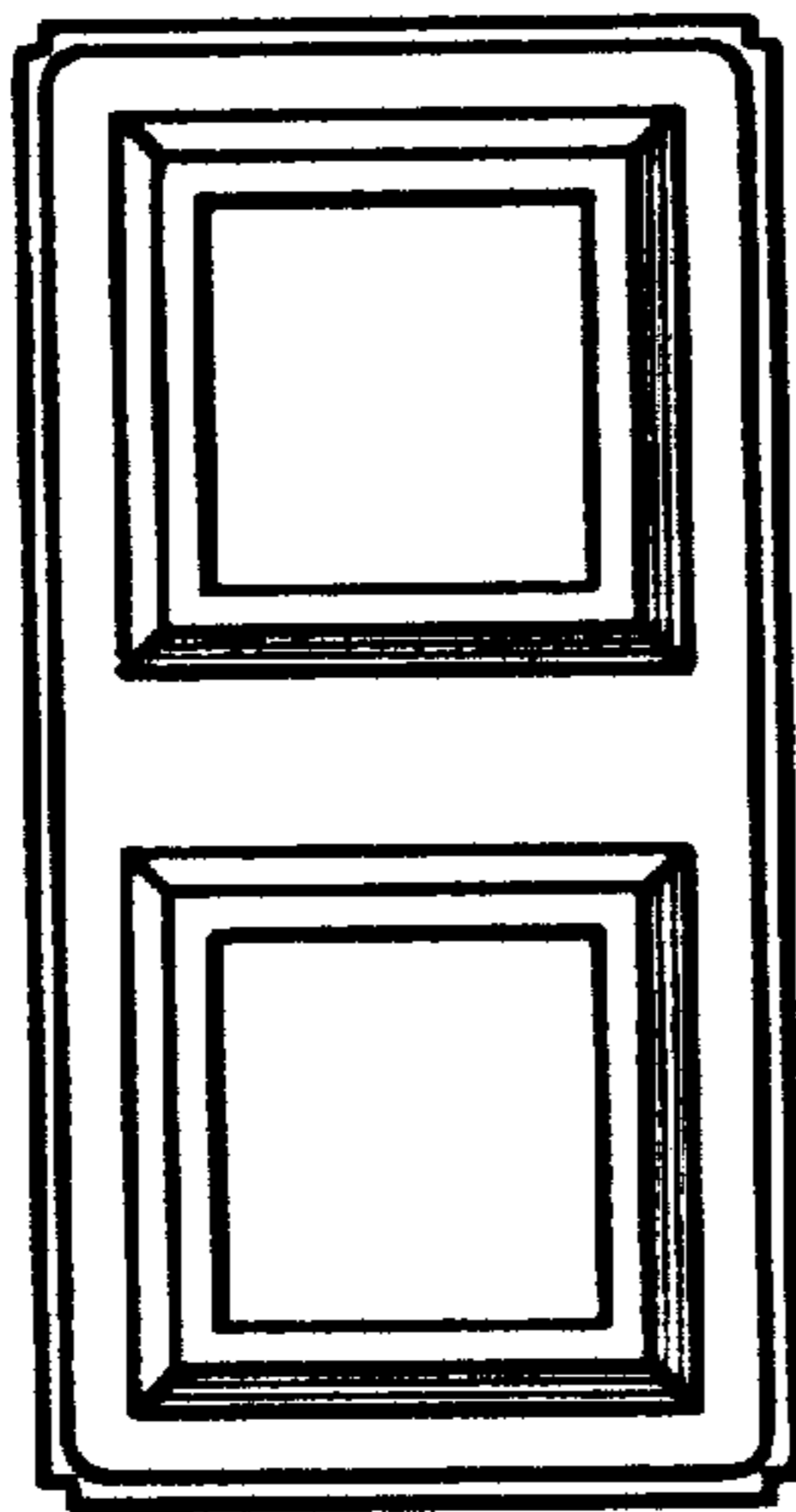


Fig. 3.

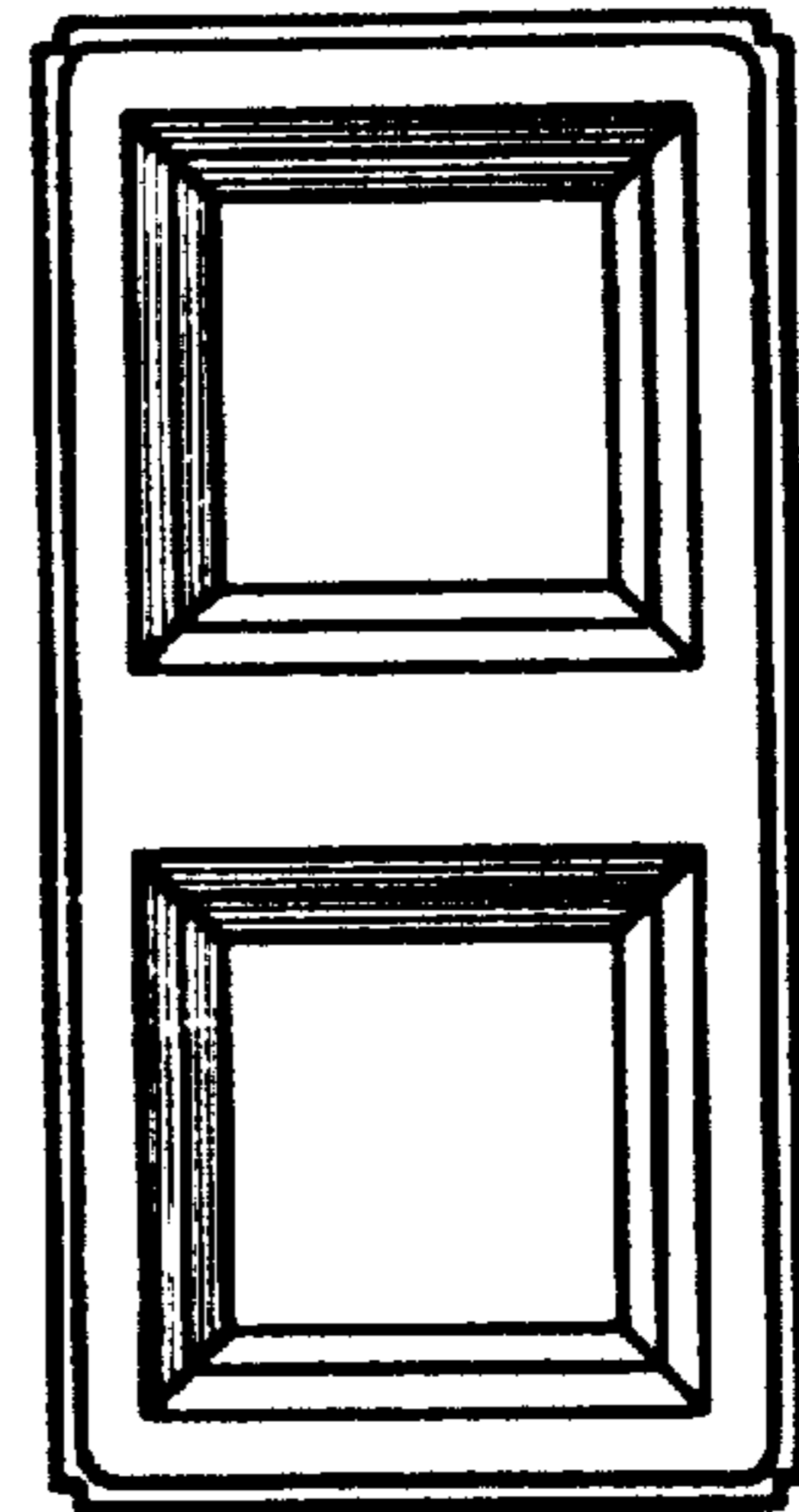


Fig. 4.

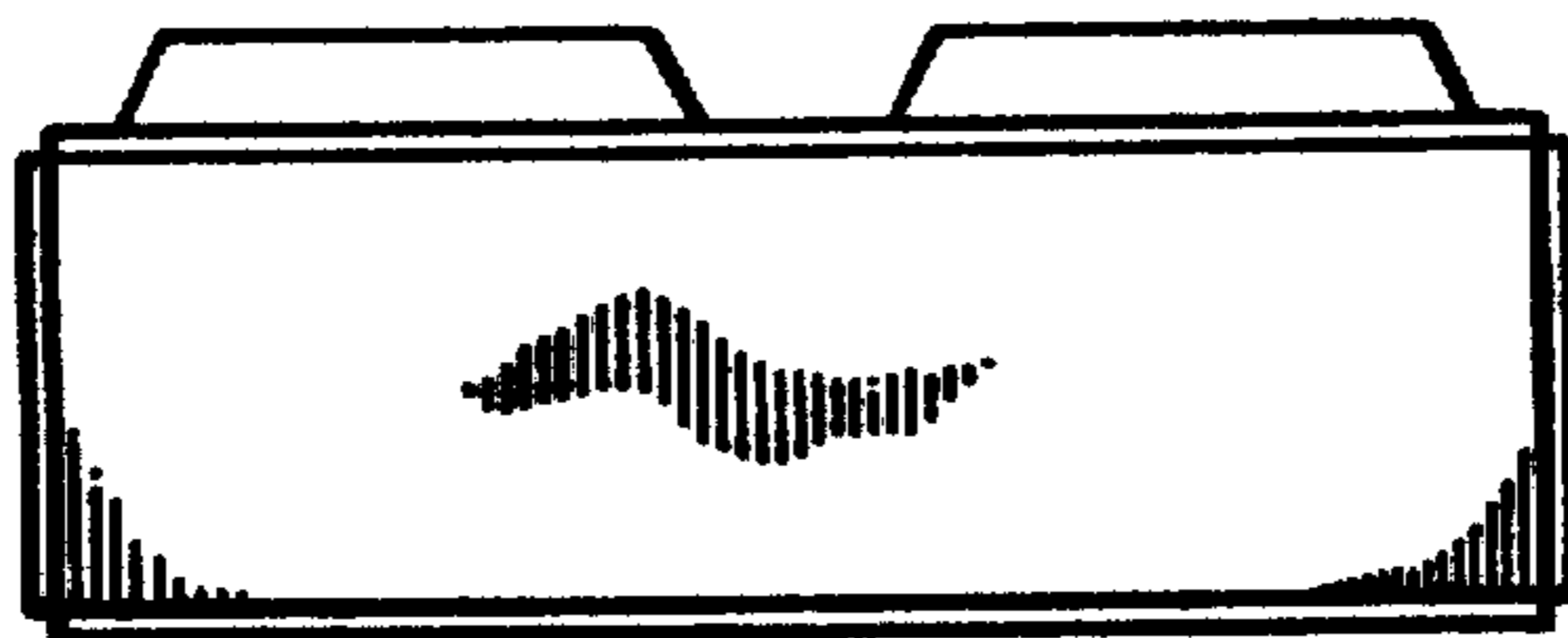


Fig. 5.

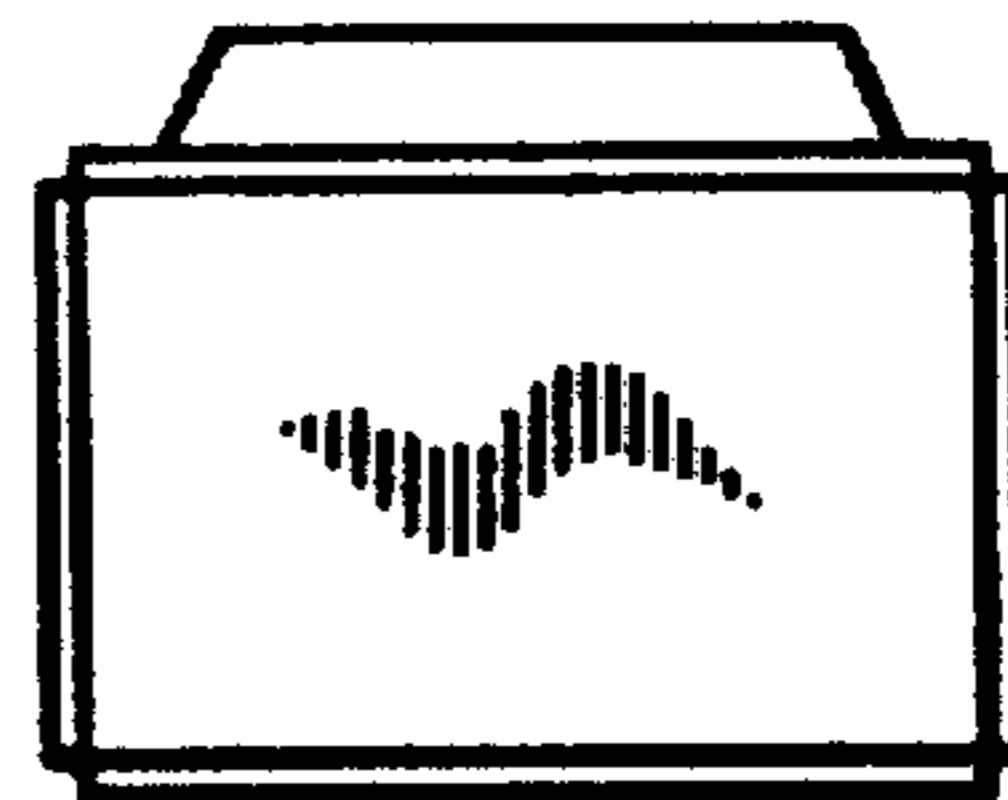


Fig. 6.