

[54] TOOTH FOR POWER DIGGER  
 [76] Inventor: Gerald D. Edwards, Rte. 1, Box 15-A, Dubberly, La. 71024  
 [\*\*] Term: 14 Years  
 [21] Appl. No.: 604,476  
 [22] Filed: Aug. 13, 1975  
 [51] Int. Cl. .... D15-04  
 [52] U.S. Cl. .... D15/29  
 [58] Field of Search ..... D39/1 R; 37/141 R, 141 T, 37/142 R, 142 A; D15/29

3,685,177 8/1972 Hahn et al. .... 37/141 R  
 D. 215,953 11/1969 Edwards et al. .... D39/1 R  
 D. 228,936 10/1973 Dahlberg et al. .... D39/1 R

Primary Examiner—Wallace R. Burke  
 Assistant Examiner—James M. Gandy  
 Attorney, Agent, or Firm—Frederick W. Turnbull

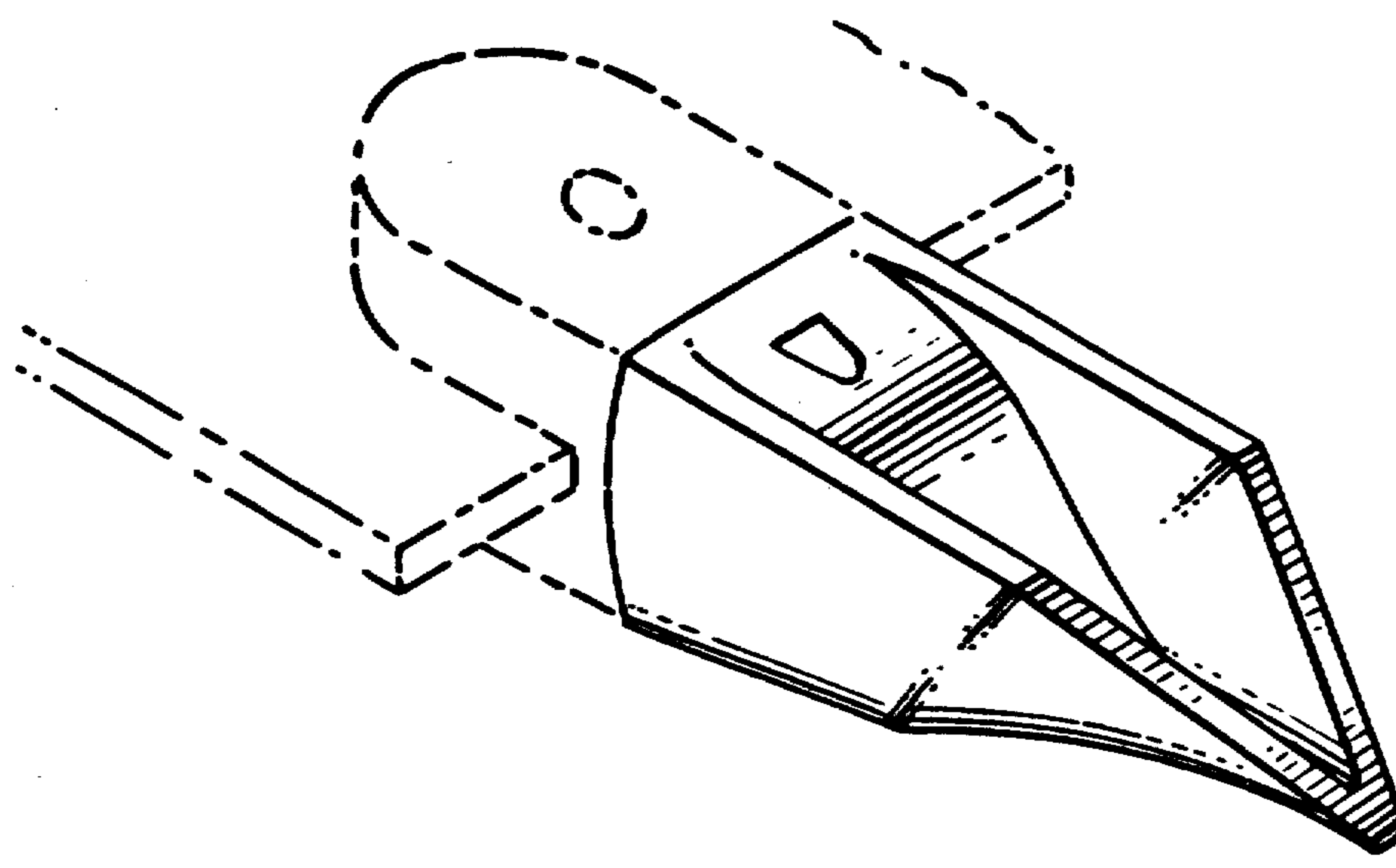
[57] CLAIM

The ornamental design for a tooth for power digger, as shown and described.

DESCRIPTION

FIG. 1 is a perspective view of a tooth for power diggers showing my new design; the broken lines being for illustrative purposes only;  
 FIG. 2 is a side elevational view thereof;  
 FIG. 3 is a front elevational view thereof;  
 FIG. 4 is a top plan view thereof; and  
 FIG. 5 is a rear elevational view thereof.

[56] References Cited  
 U.S. PATENT DOCUMENTS  
 3,002,574 10/1961 Padrick ..... 37/142 R UX  
 3,834,567 9/1974 Miller ..... 37/141 T  
 3,055,128 9/1962 Edwards ..... 37/142 R  
 3,063,176 11/1962 Larson ..... D39/1 R



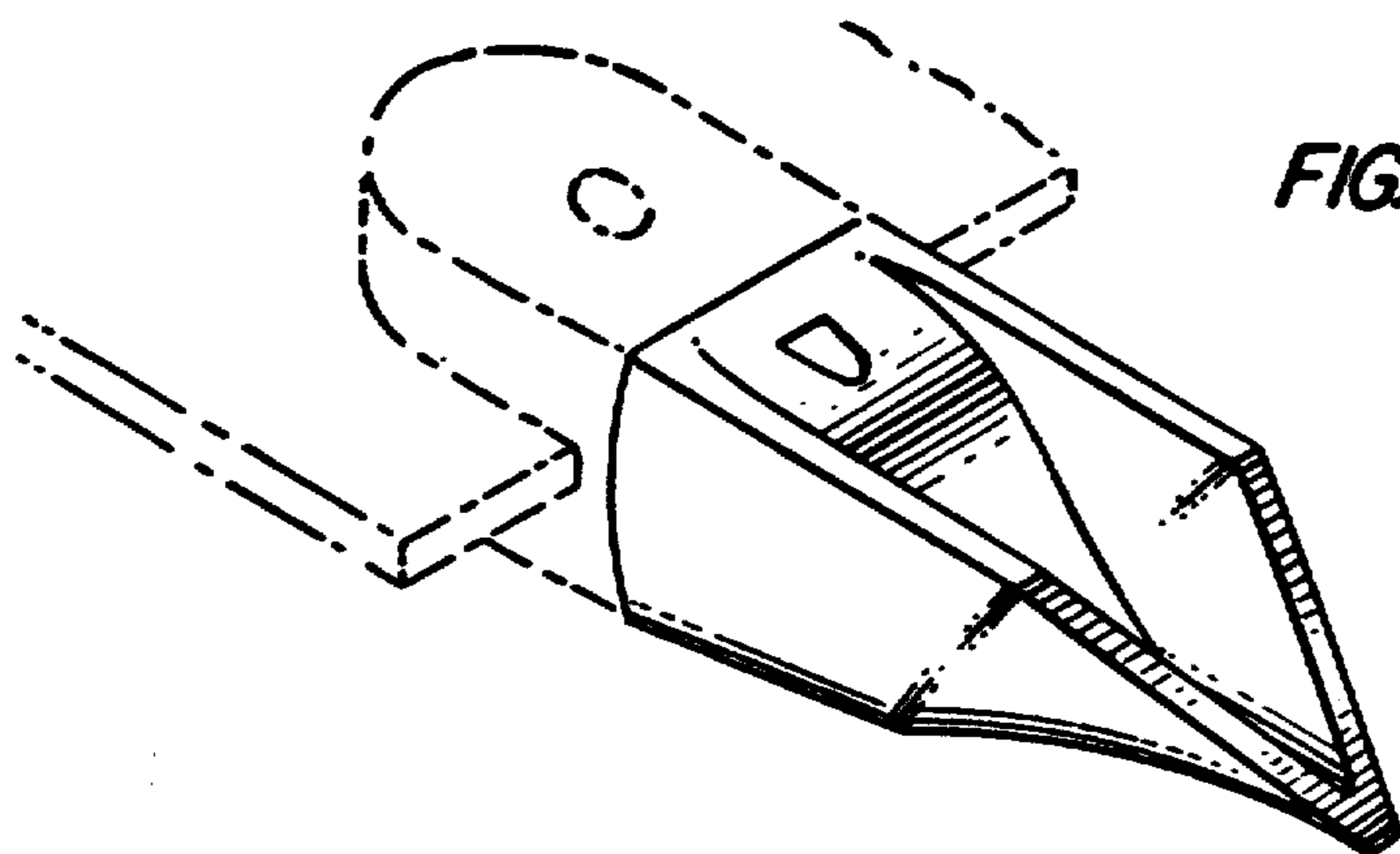


FIG. 1.

FIG. 2.

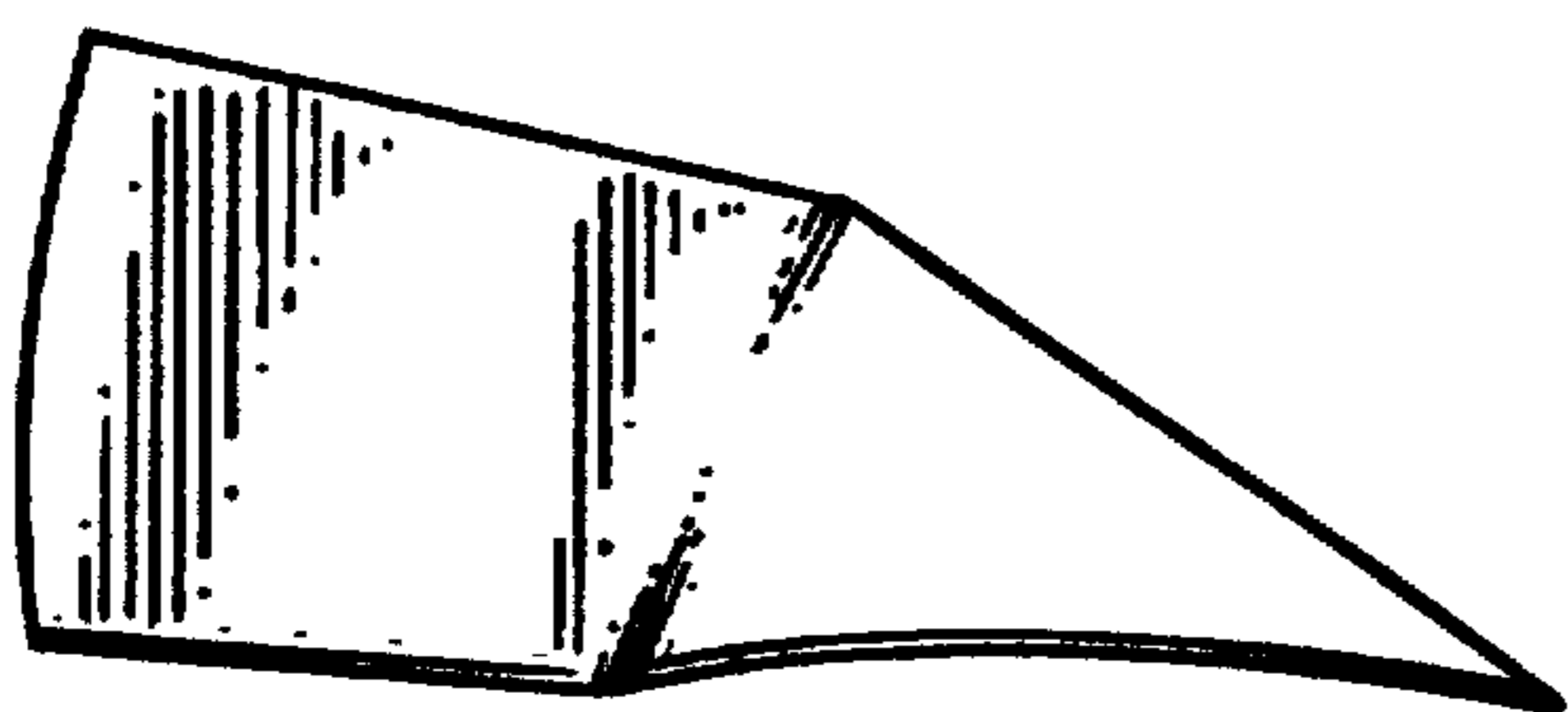


FIG. 3.

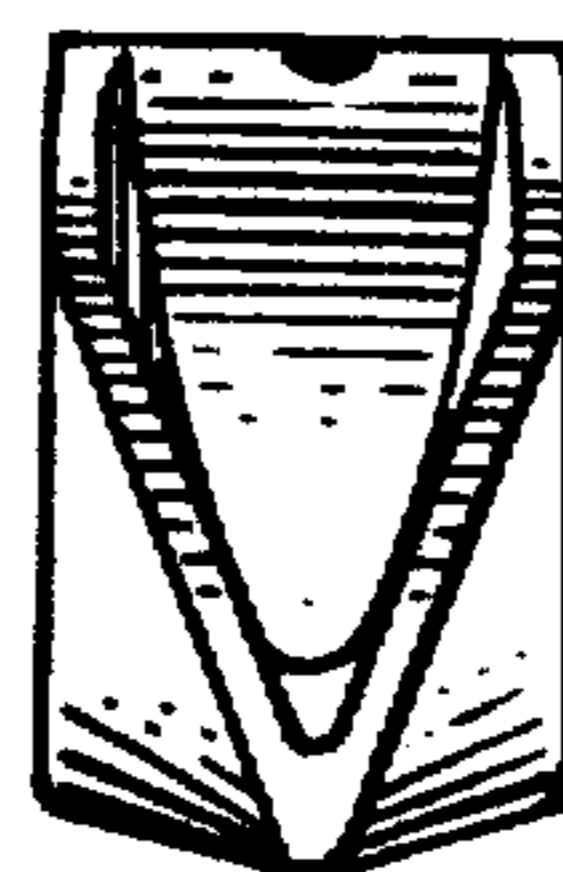


FIG. 4.

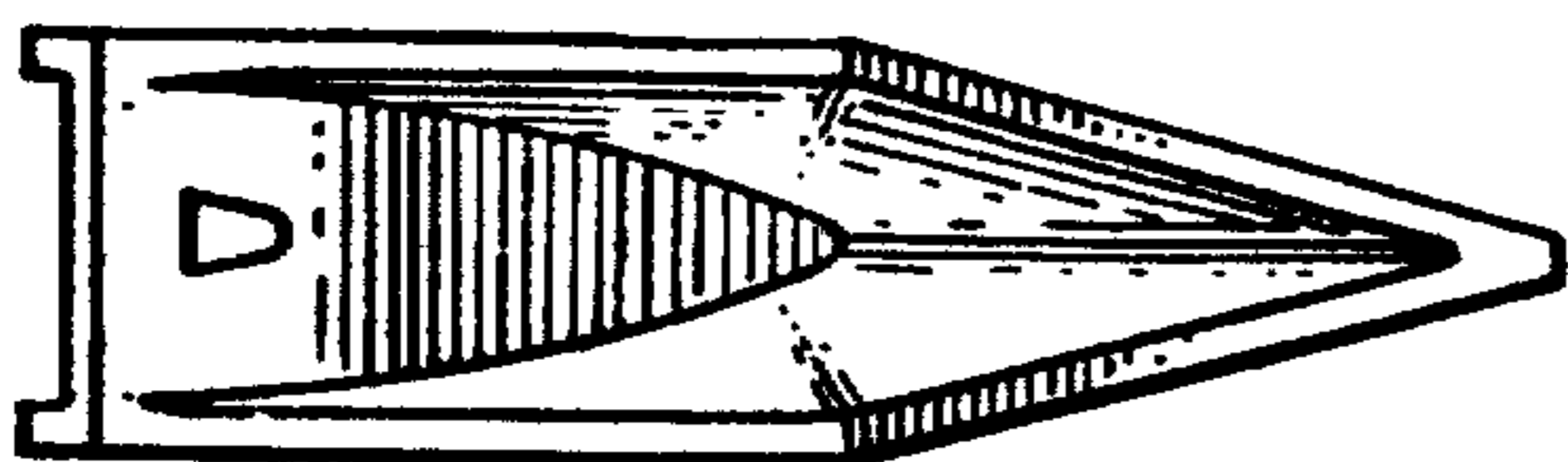


FIG. 5.

