

[54] **SPRAY ETCHER FOR WORK PIECES IN WHICH THE WORK PIECES FIRST MOVE INTO THE ETCHER IN ONE DIRECTION AND THEN LEAVE THE ETCHER IN A REVERSE DIRECTION**

[75] **Inventors:** Burke Leon, Phoenix; Victor Johansen, Tempe; Peter Rose, Phoenix; Gary Rollh, Tempe, all of Ariz.

[73] **Assignee:** Phillip A. Hunt Chemical Corporation, Palisades Park, N.J.

[**] **Term:** 14 Years

[21] **Appl. No.:** 623,742

[22] **Filed:** Oct. 20, 1975

[51] **Int. Cl.** D15-99

[52] **U.S. Cl.** D15/199

[58] **Field of Search** D55/1 R

[56]

References Cited

U.S. PATENT DOCUMENTS

D. 184,262 1/1959 Martz D55/1 R
D. 232,189 7/1974 Goffredo D55/1 R

Primary Examiner—Alan P. Douglas
Attorney, Agent, or Firm—Morris Kirschstein

[57]

CLAIM

The ornamental design for a spray etcher for work pieces in which the work pieces first move into the etcher in one direction and then leave the etcher in a reverse direction, substantially as shown.

DESCRIPTION

FIG. 1 is a front perspective view of a spray etcher for work pieces in which the work pieces first move into the etcher in one direction and then leave the etcher in a reverse direction showing our new design; and FIG. 2 is a rear perspective view of the etcher shown in FIG. 1.

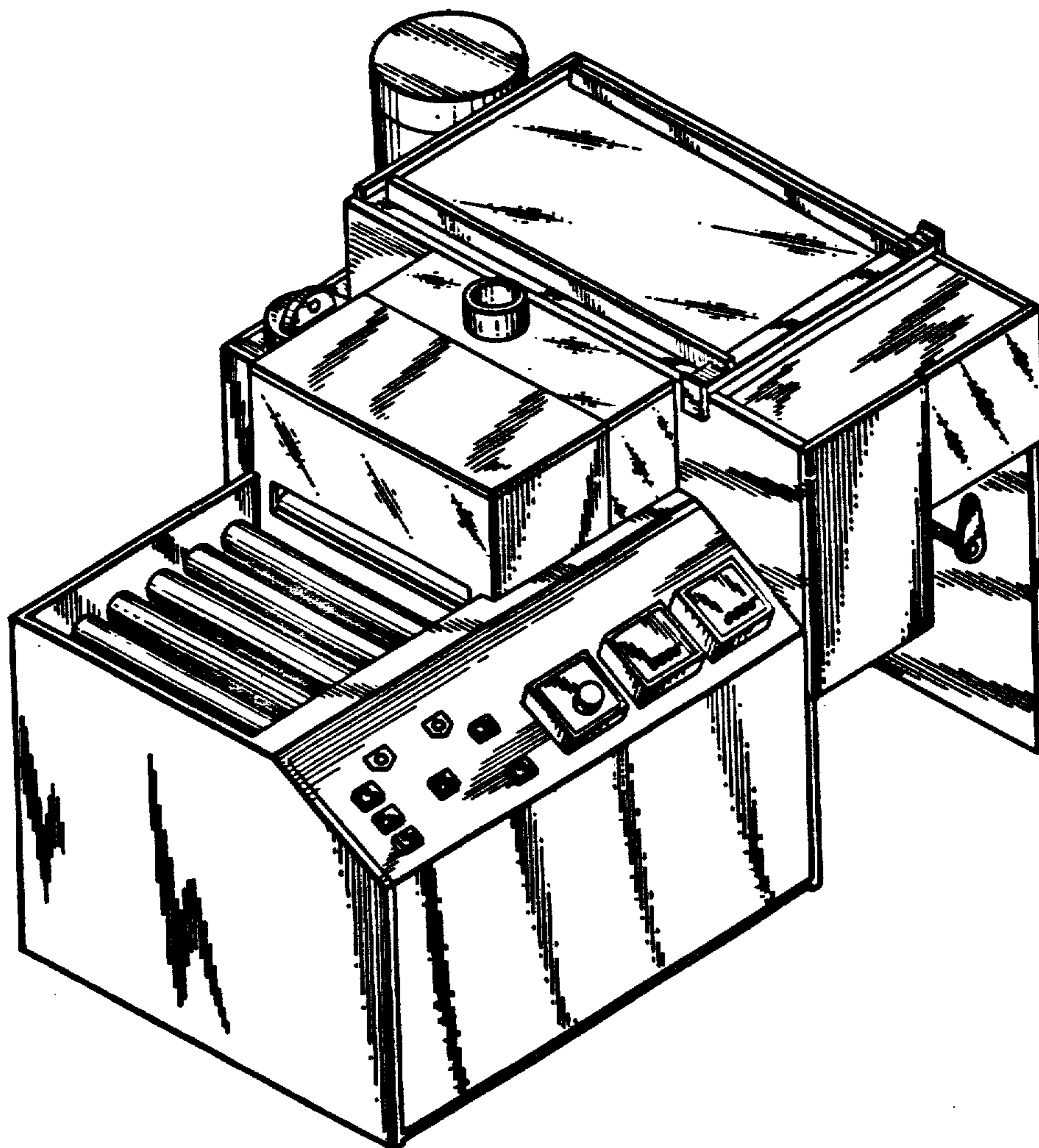


FIG. 1

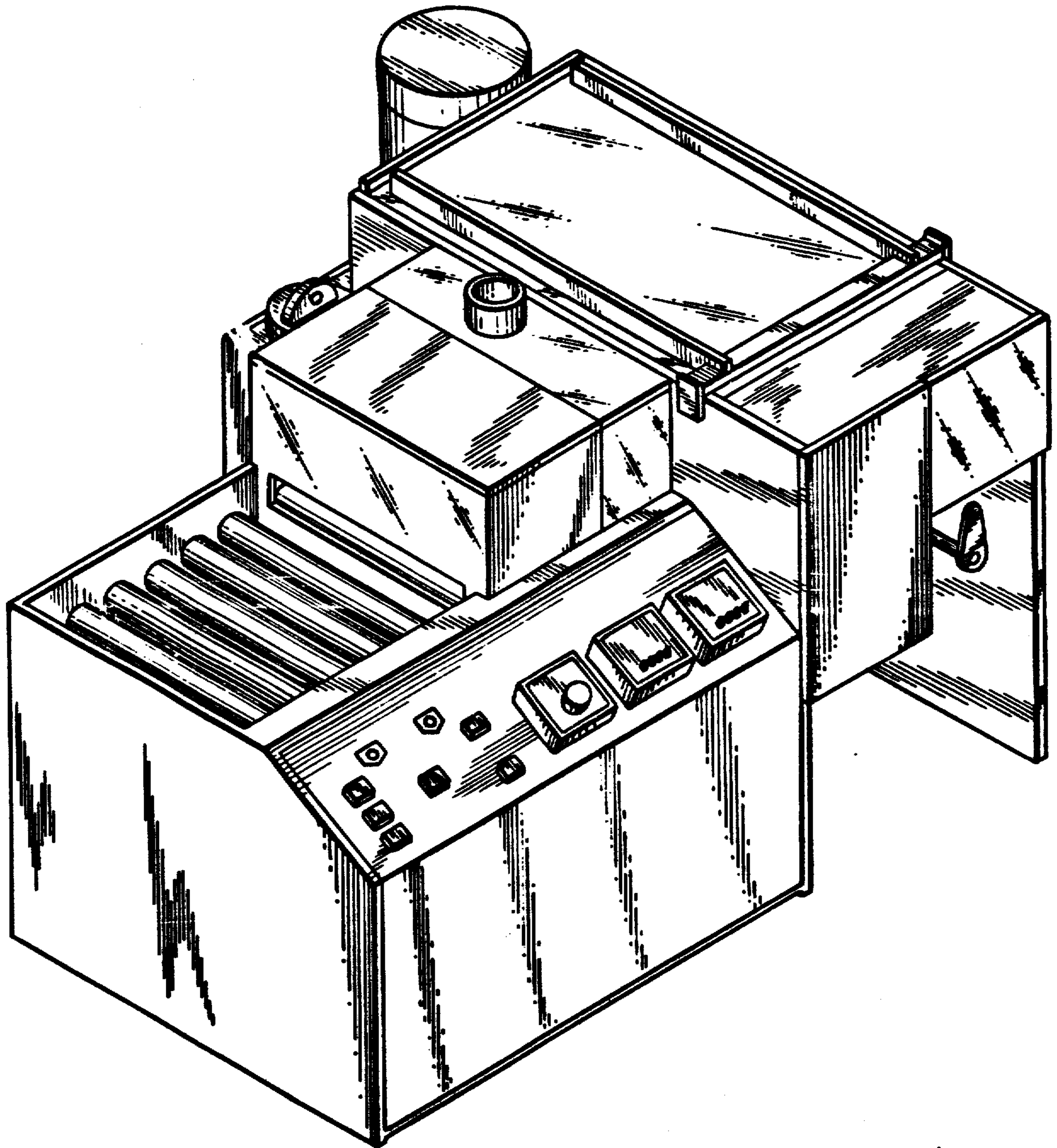


FIG. 2

