

[54] SEWING MACHINE

[75] Inventor: Tiber Arvai, Paris, France

[73] Assignee: Tokyo Juki Kogyo Kabushiki Kaisha, Chofu, Japan

[**] Term: 14 Years

[21] Appl. No.: 607,813

[22] Filed: Aug. 25, 1975

[51] Int. Cl. D15-06

[52] U.S. Cl. D15/69

[58] Field of Search D70/1, 2 A

[56] References Cited

U.S. PATENT DOCUMENTS

D. 179,873 3/1957 Yamada D70/1

D. 190,258 5/1961 Kawaguchi et al. D70/1

Primary Examiner—Joel Stearman
Assistant Examiner—Josephine Lloyd
Attorney, Agent, or Firm—Eric H. Waters

[57] CLAIM

The ornamental design for a sewing machine, as shown.

DESCRIPTION

FIG. 1 is a top plan view of a sewing machine showing my new design;
FIG. 2 is an elevational view taken from one side;
FIG. 3 is an elevational view from one end;
FIG. 4 is an elevational view from the other side;
FIG. 5 is an elevational view from the other end; and
FIG. 6 is a bottom plan view thereof.

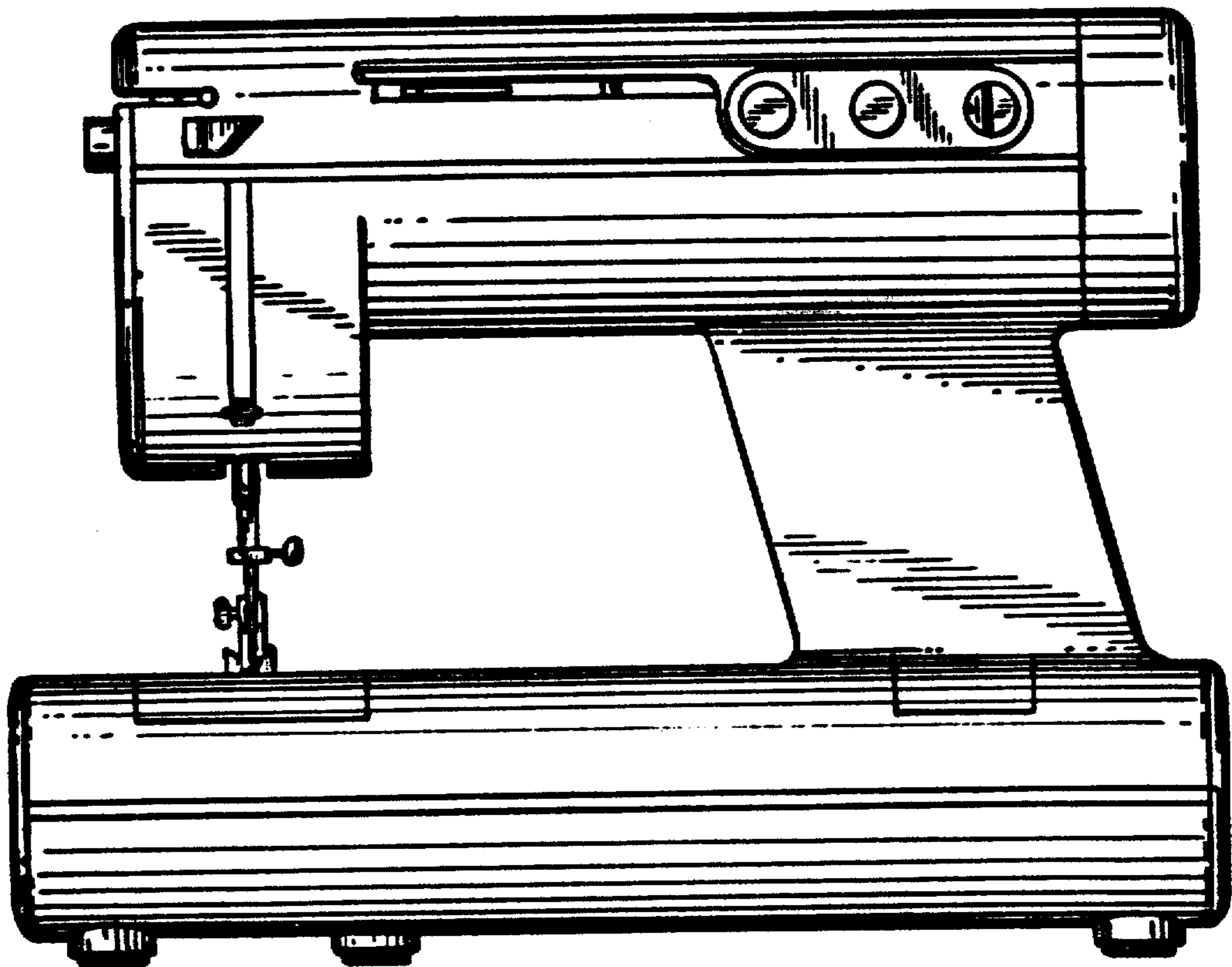


FIG. 1

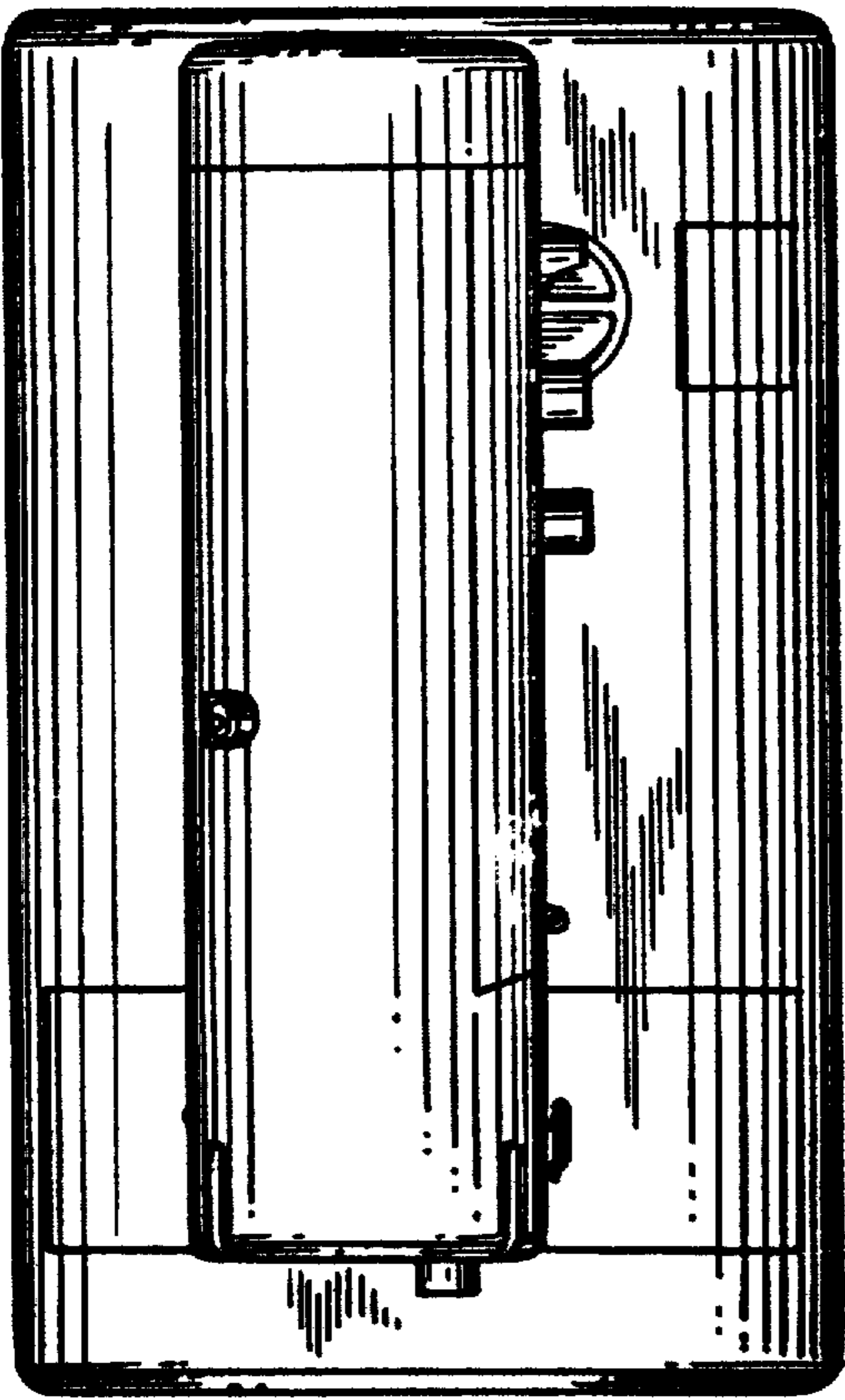


FIG. 2

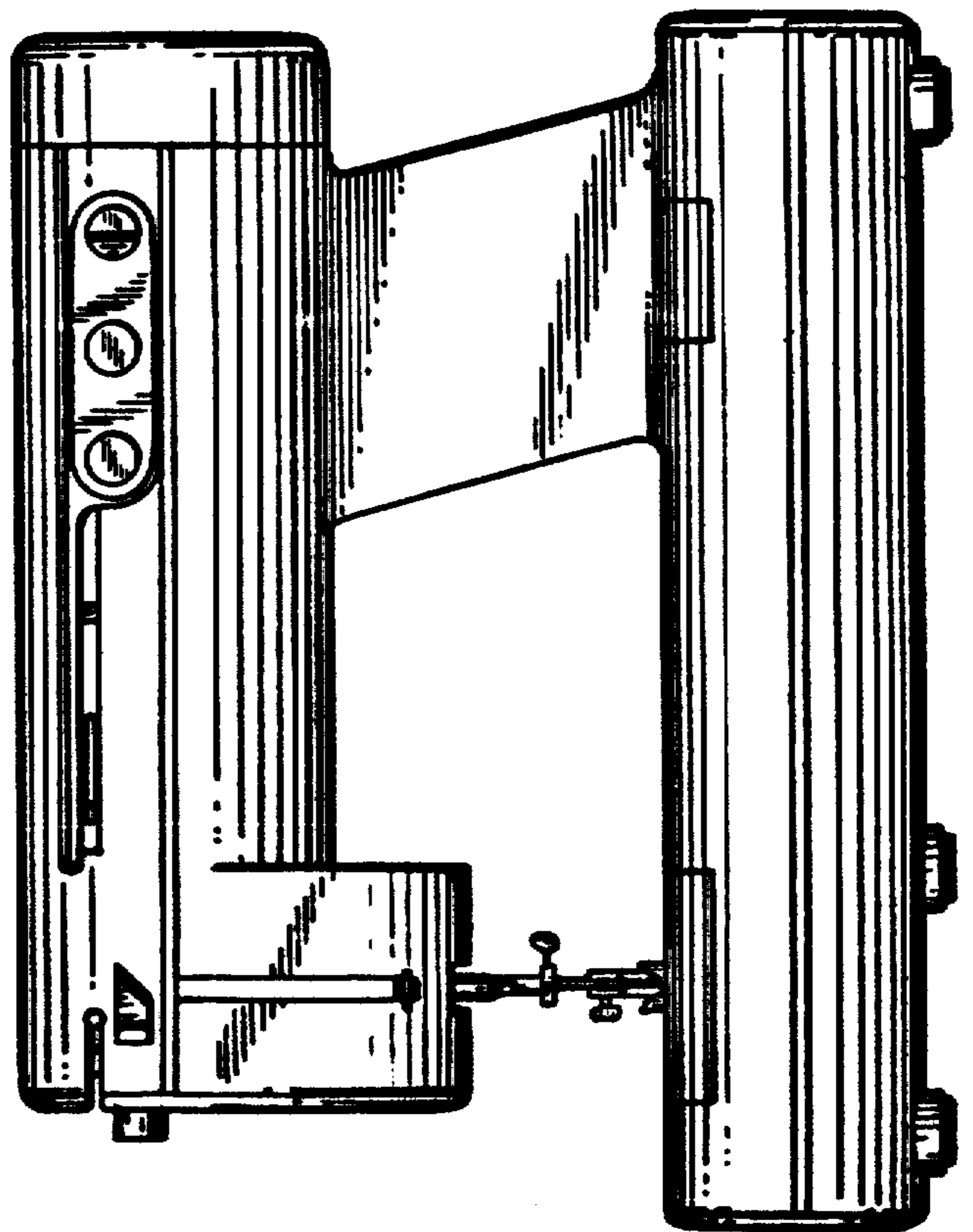
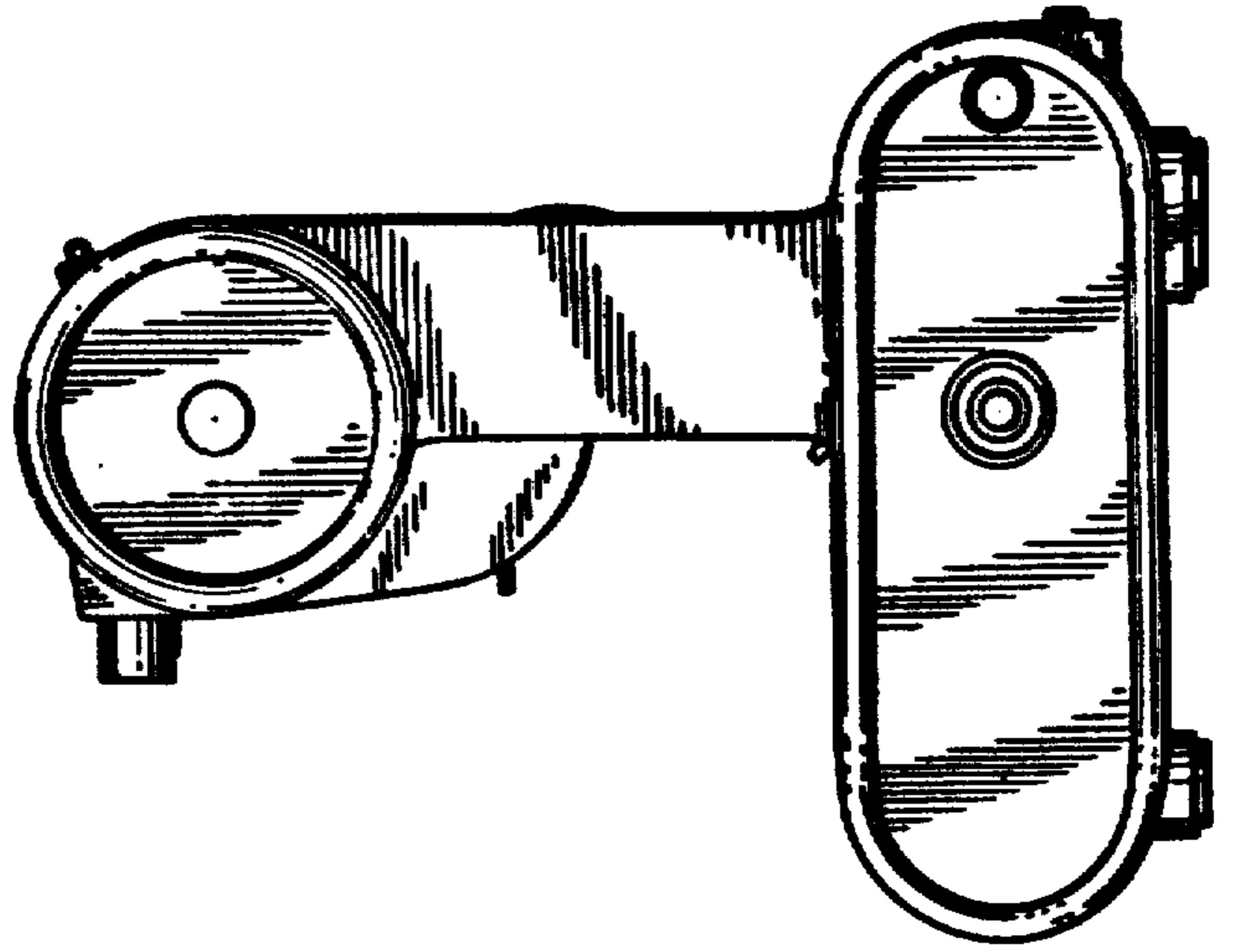


FIG. 3



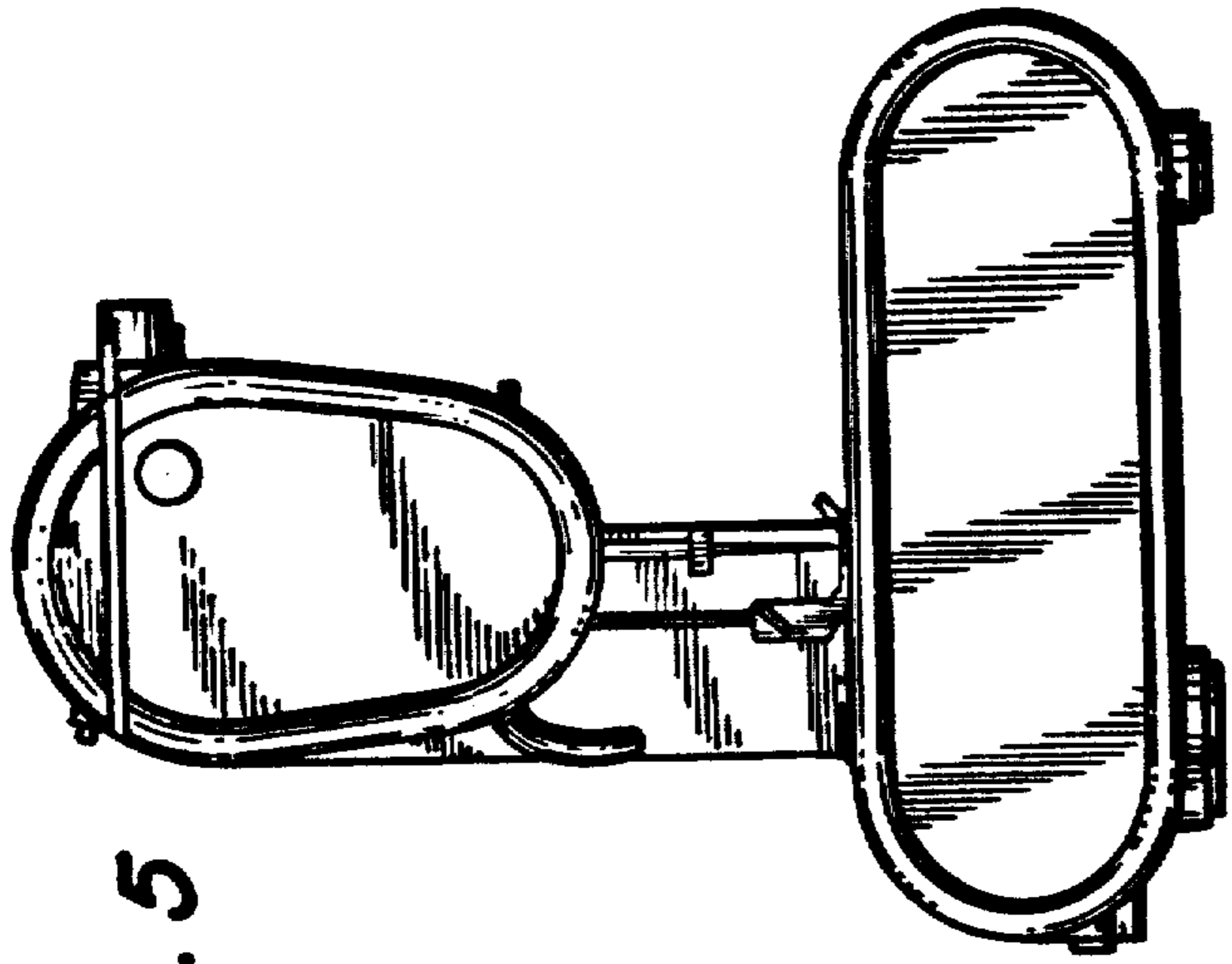


FIG. 5

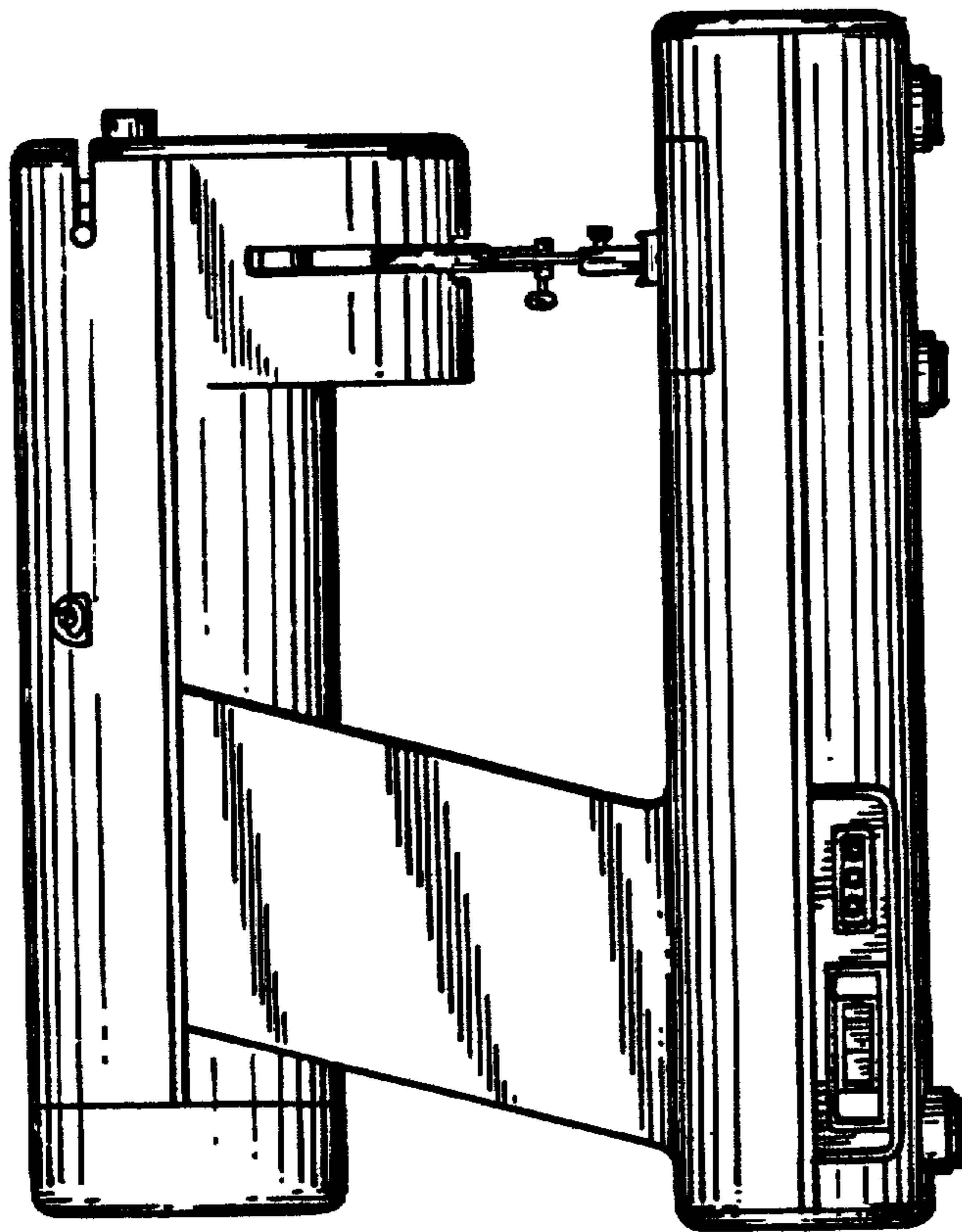


FIG. 4

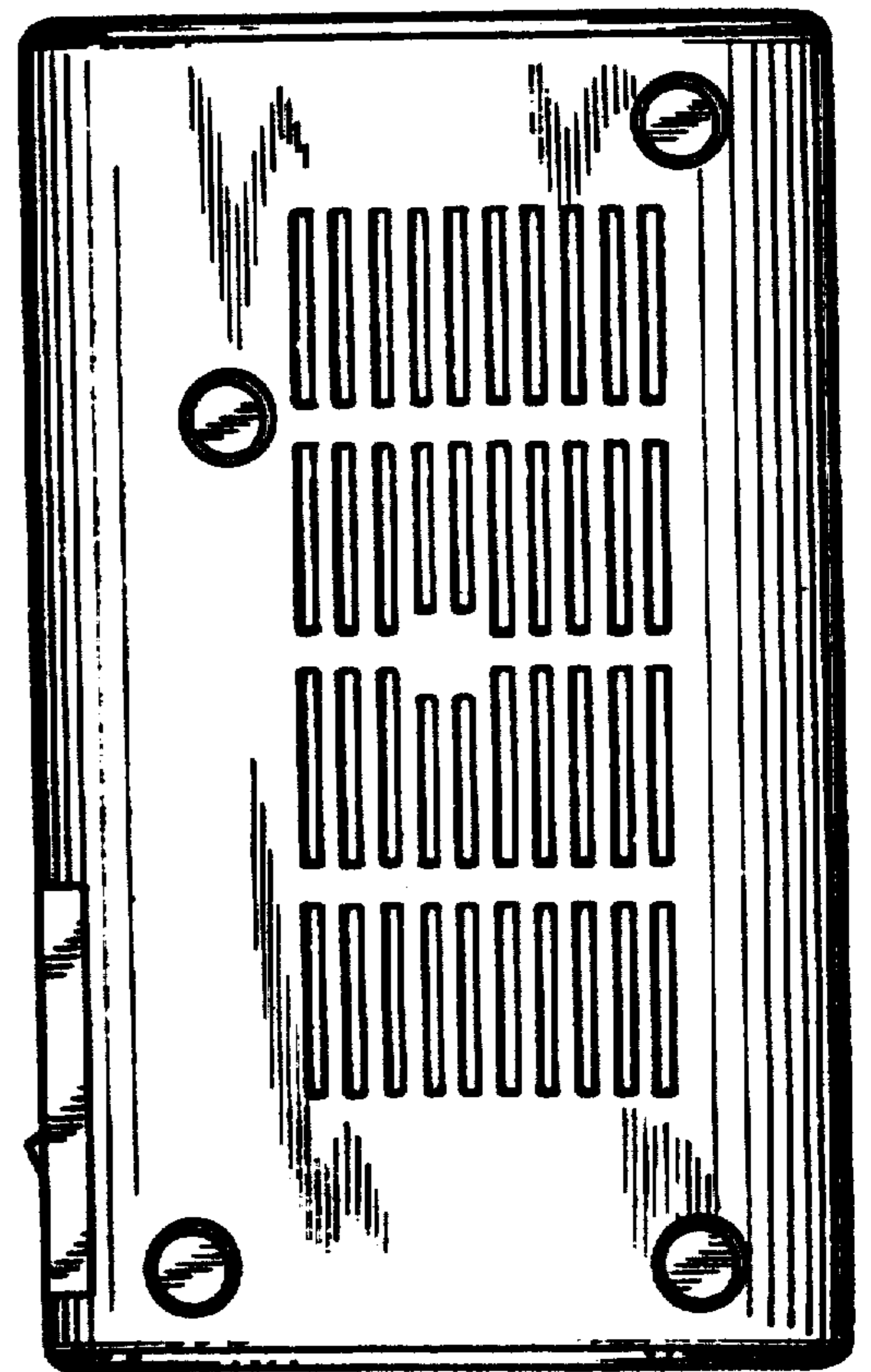


FIG. 6