

[54] VISOR FOR VEHICLES OR THE LIKE

[76] Inventor: Rickey W. Gafnea, 1643 Cherry Ave., Long Beach, Calif. 90813

[**] Term: 14 Years

[21] Appl. No.: 591,849

[22] Filed: June 30, 1975

[51] Int. Cl. D12-16

[52] U.S. Cl. D12/191

[58] Field of Search D12/191; 296/95, 96, 296/97 R, 97 B, 97 C, 97 D, 97 G, 97 H, 97 K

[56] References Cited

U.S. PATENT DOCUMENTS

D. 59,350	10/1921	Hillman	D12/191
D. 152,738	2/1949	Riemann	D12/191
D. 156,373	12/1949	Ross	D12/191
D. 157,555	3/1950	Abrams	D12/191

D. 162,831 4/1951 Huntoon D12/191

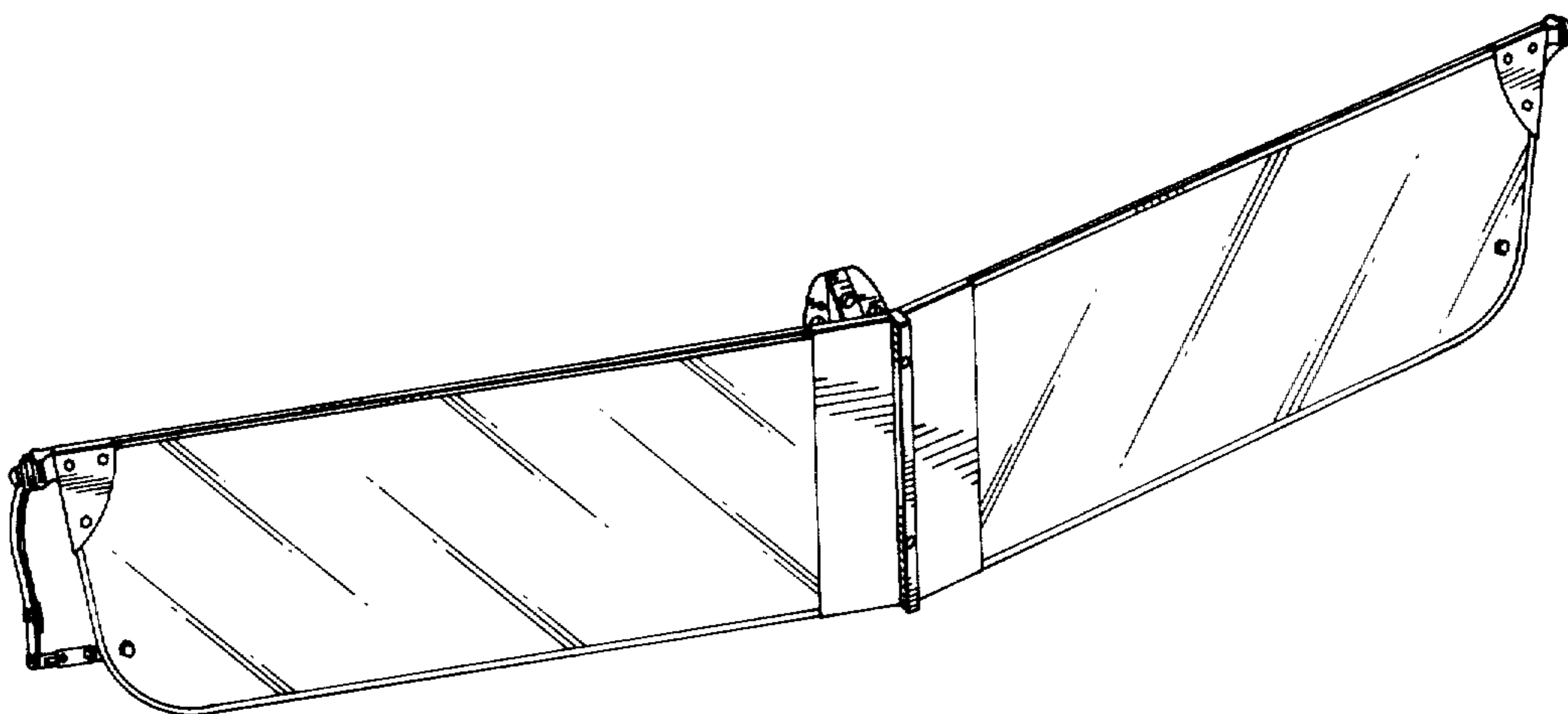
Primary Examiner—Wallace R. Burke
Assistant Examiner—James M. Gandy
Attorney, Agent, or Firm—Francis A. Utecht

[57] CLAIM

The ornamental design for a visor for vehicles or the like, substantially as shown.

DESCRIPTION

FIG. 1 is a perspective view of a visor for vehicles or the like showing my new design;
FIG. 2 is a top plan view thereof;
FIG. 3 is a bottom plan view thereof;
FIG. 4 is a front elevational view thereof;
FIG. 5 is a rear elevational view thereof; and
FIG. 6 is a left side elevational view thereof, the right side being a mirror image of the left side shown herein.



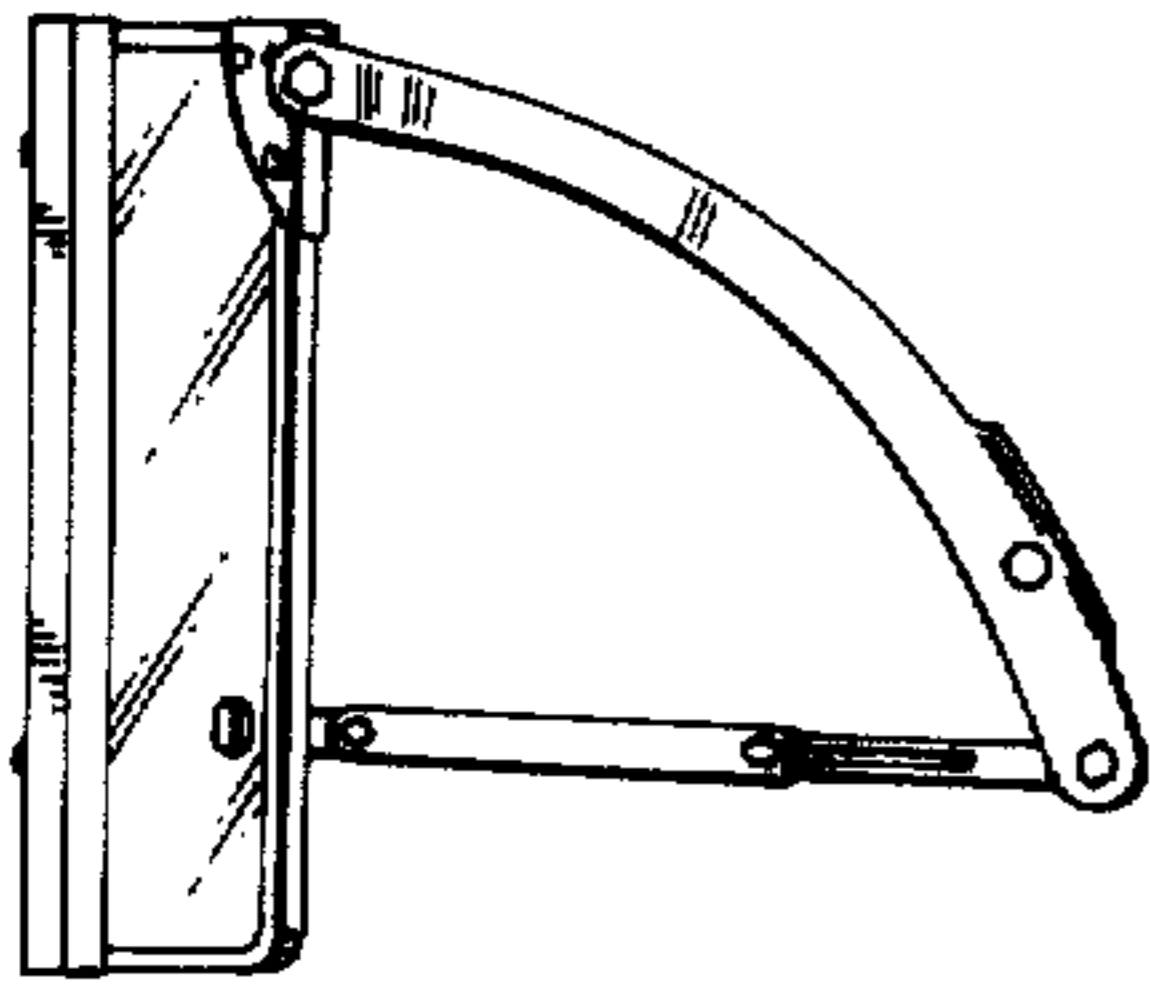


FIG. 6

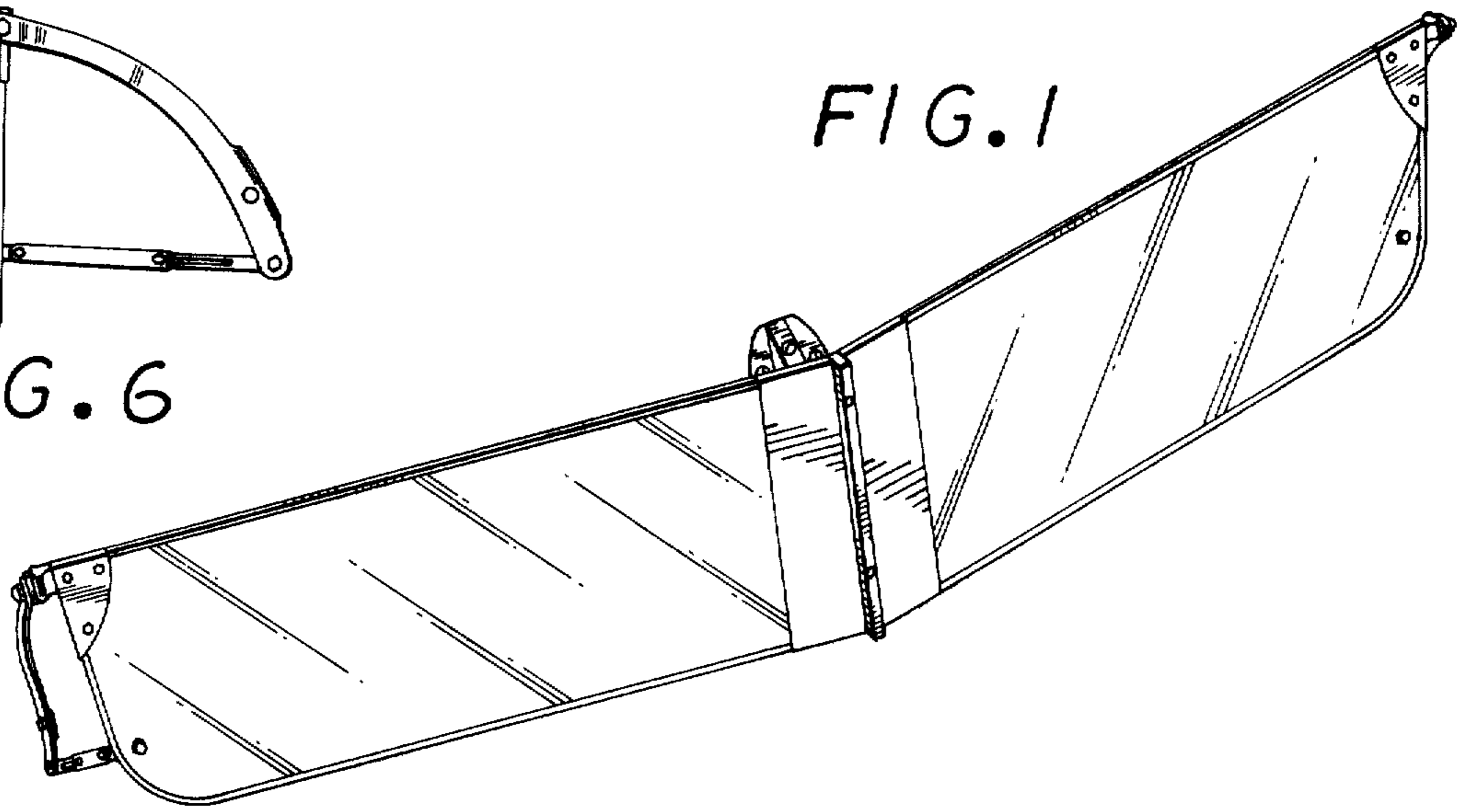


FIG. 1

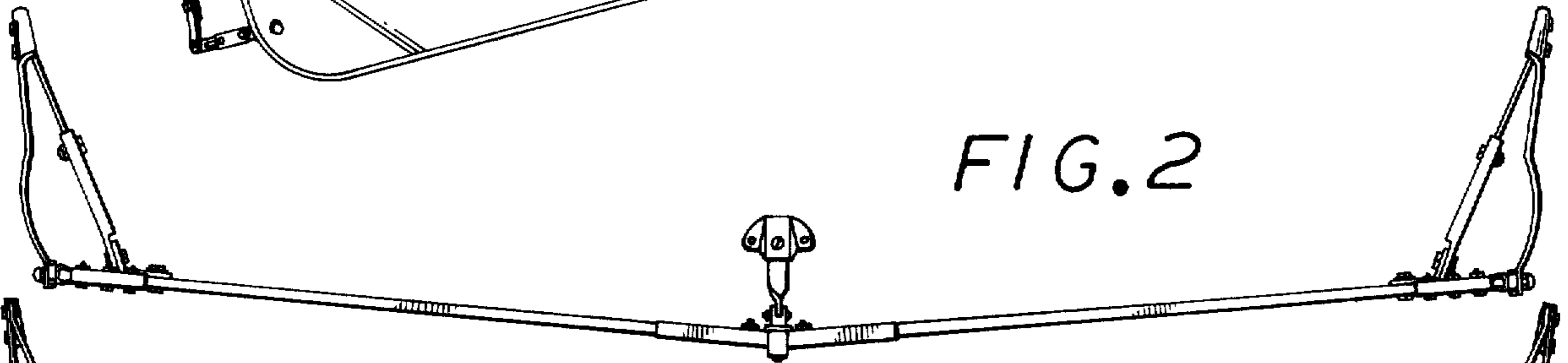


FIG. 2

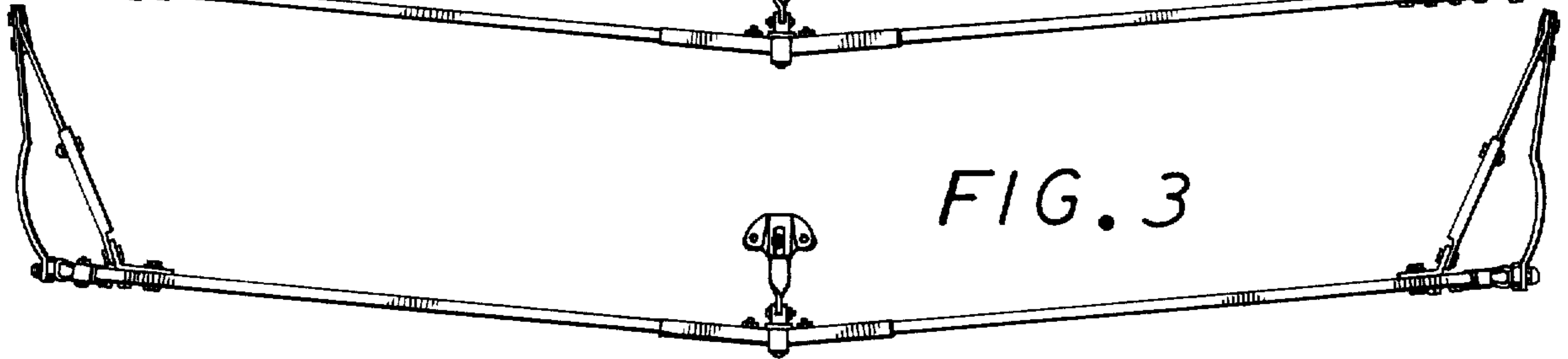


FIG. 3

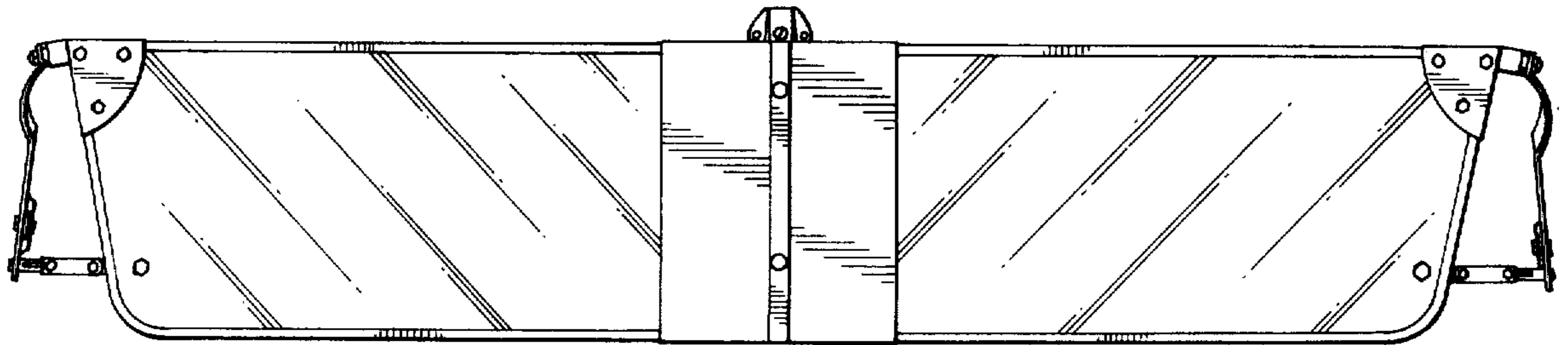


FIG. 4

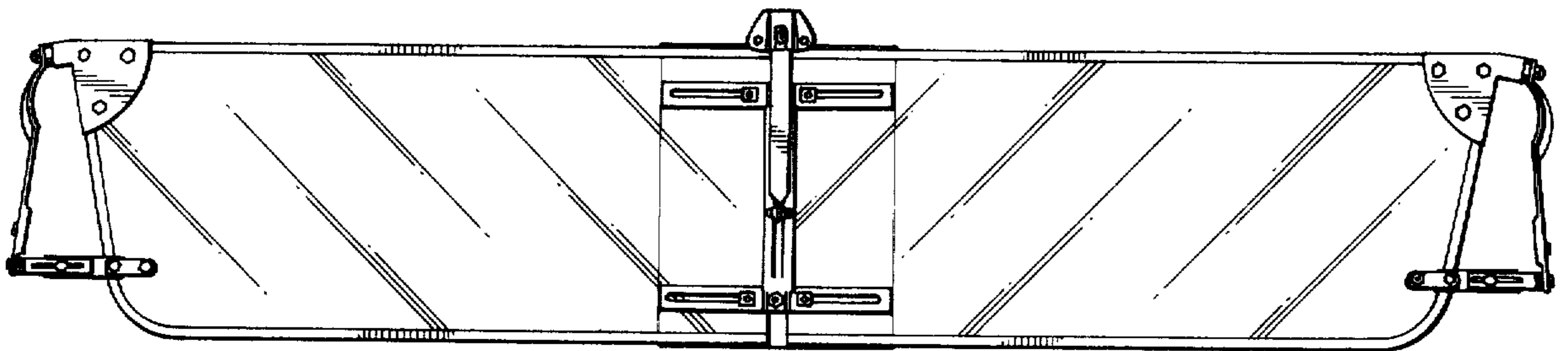


FIG. 5