

[54] SPARE TIRE MOUNT FOR TRAILERS

[76] Inventor: James A. Driscoll, 1219 Garfield, Sand Springs, Okla. 74063

[**] Term: 14 Years

[21] Appl. No.: 622,100

[22] Filed: Oct. 14, 1975

[51] Int. Cl. D12-16

[52] U.S. Cl. D12/202

[58] Field of Search D12/202; 224/42.06, 224/42.24, 42.25, 42.26, 42.12; 70/259, 260

[56] References Cited

U.S. PATENT DOCUMENTS

1,519,751	12/1924	Baker	70/259
1,844,035	2/1932	Fournet	224/42.24
3,482,749	12/1969	Cooper	224/42.24
3,804,308	4/1974	Bodde	224/42.06

D. 206,185	11/1966	Davis	D12/202
D. 210,412	3/1968	Cooper	D12/202

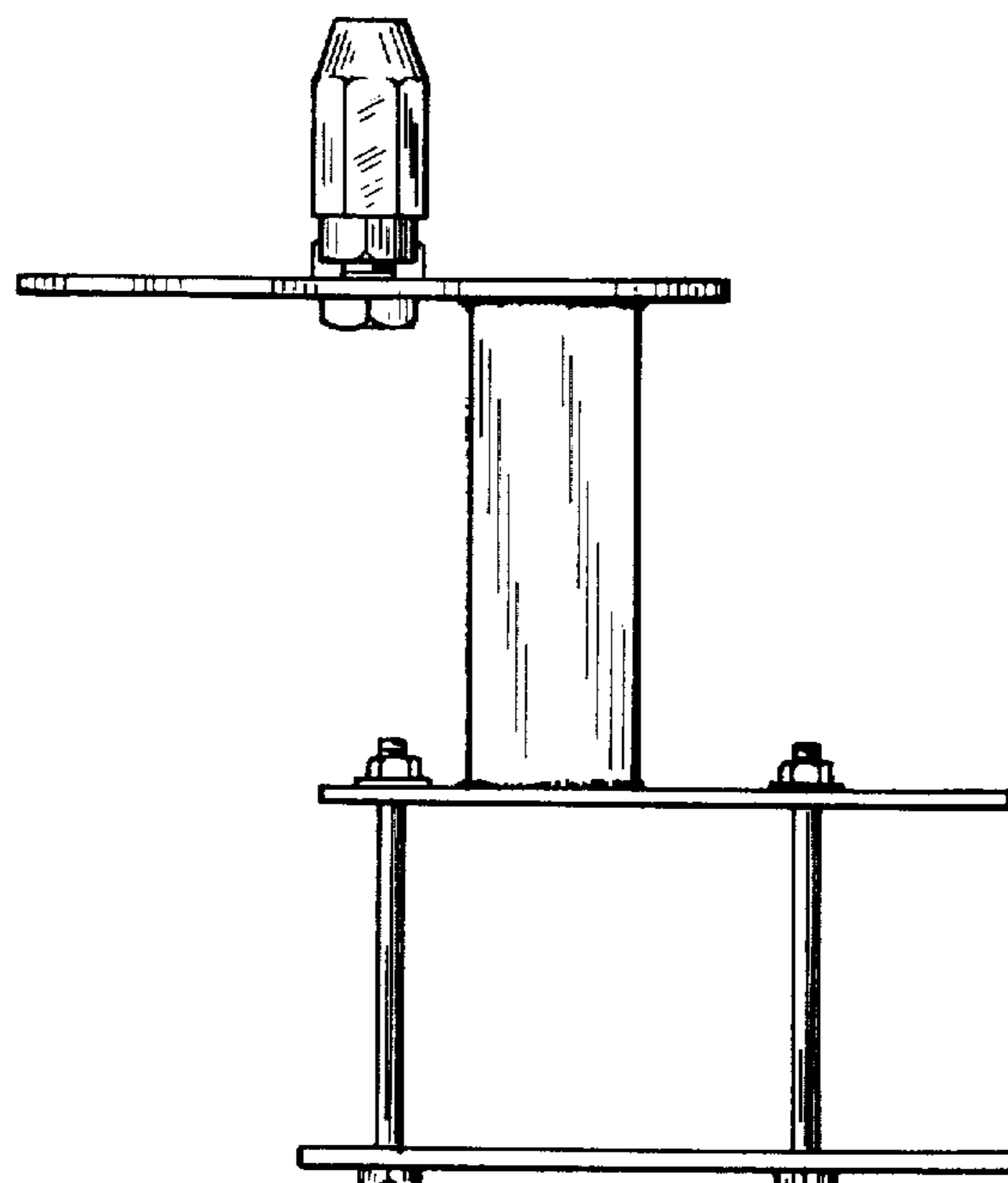
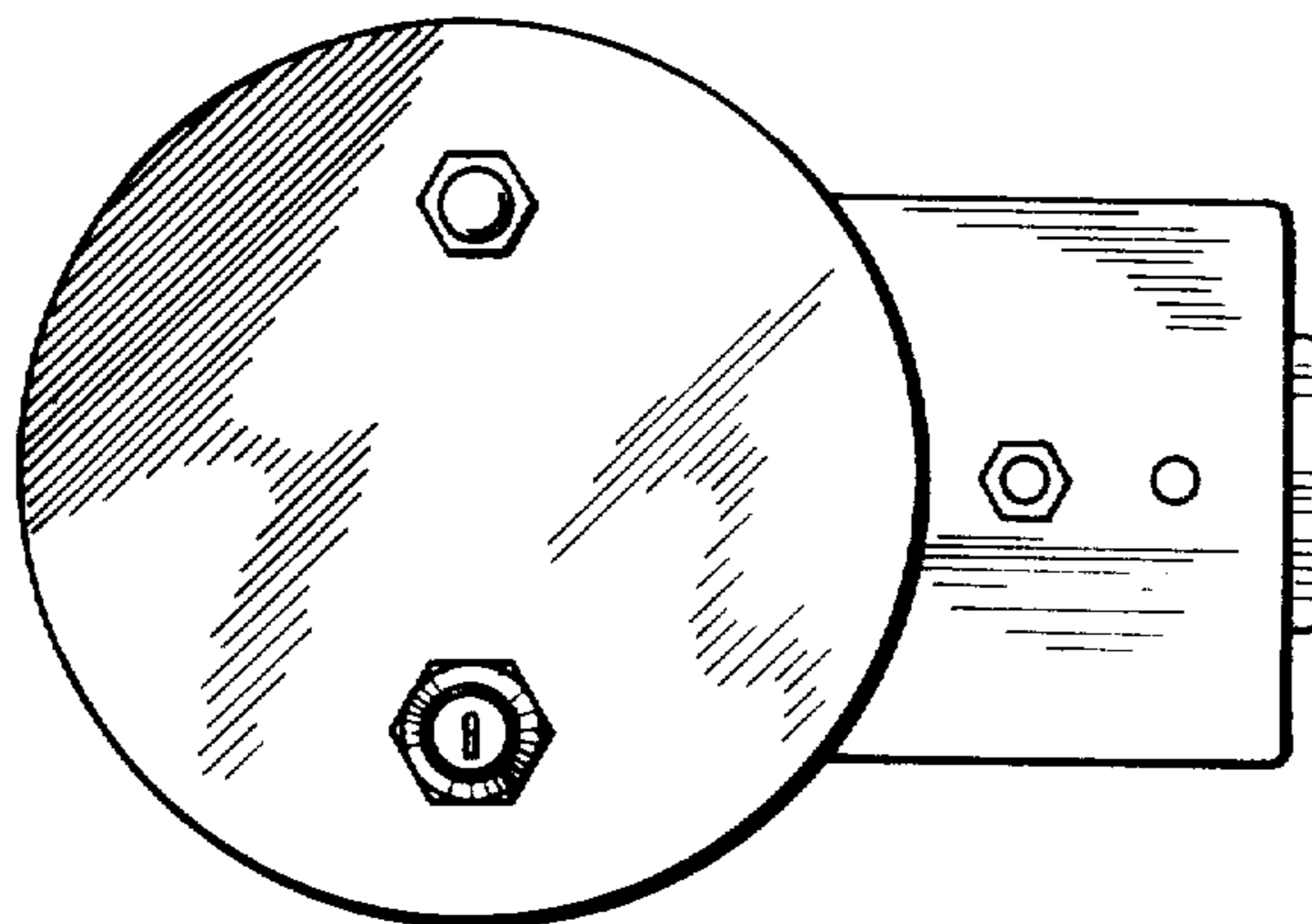
Primary Examiner—Wallace R. Burke
 Assistant Examiner—James M. Gandy
 Attorney, Agent, or Firm—Paul H. Johnson

[57] CLAIM

The ornamental design for a spare tire mount for trailers, substantially as shown.

DESCRIPTION

FIG. 1 is a front elevational view of a spare tire mount for trailers, showing my new design.
 FIG. 2 is a bottom plan view thereof.
 FIG. 3 is a top plan view thereof.
 FIG. 4 is a rear elevational view thereof.
 FIG. 5 is an elevational view of one side thereof.
 FIG. 6 is an elevational view of the other side thereof.



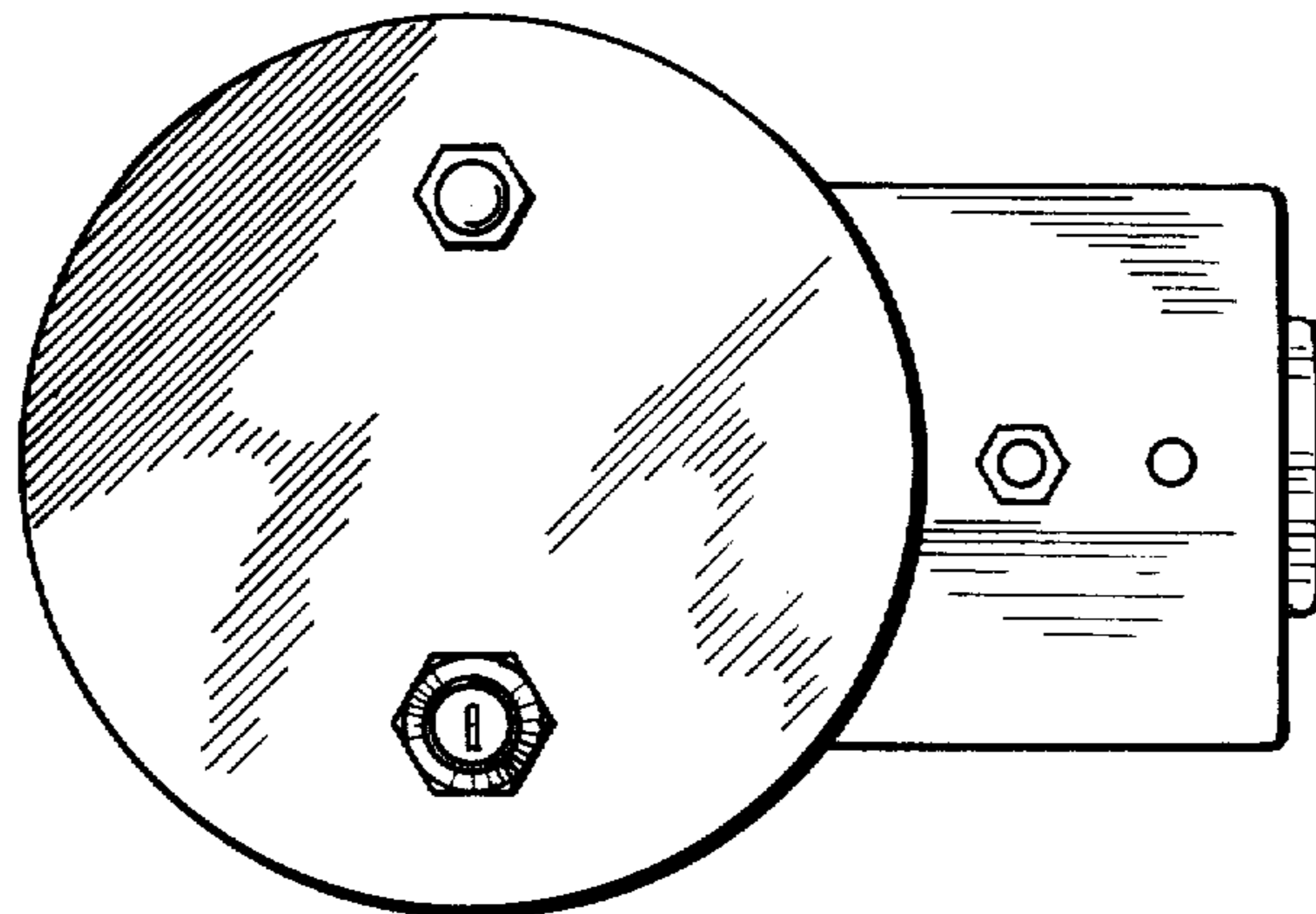


FIG. 1

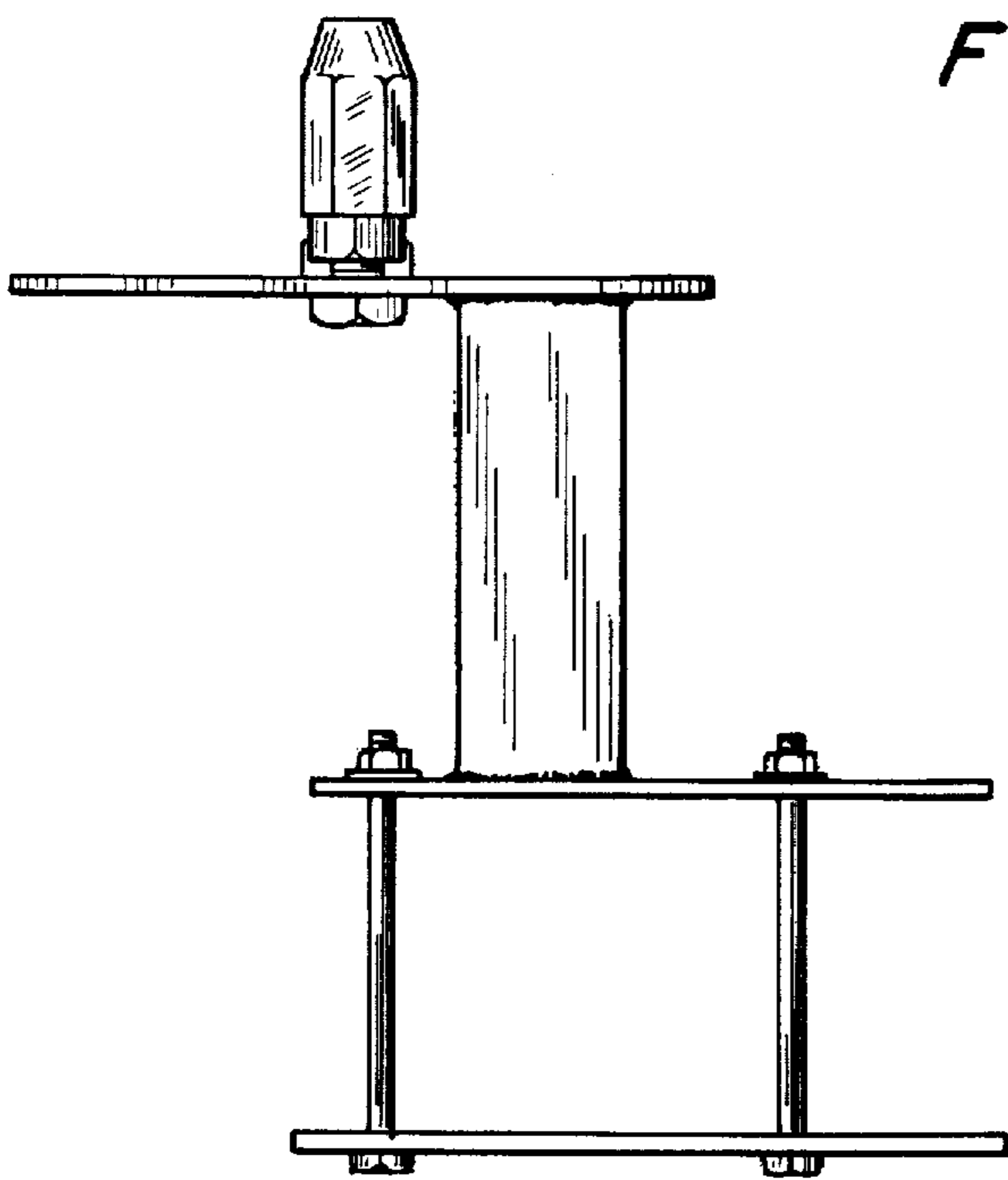


FIG. 2

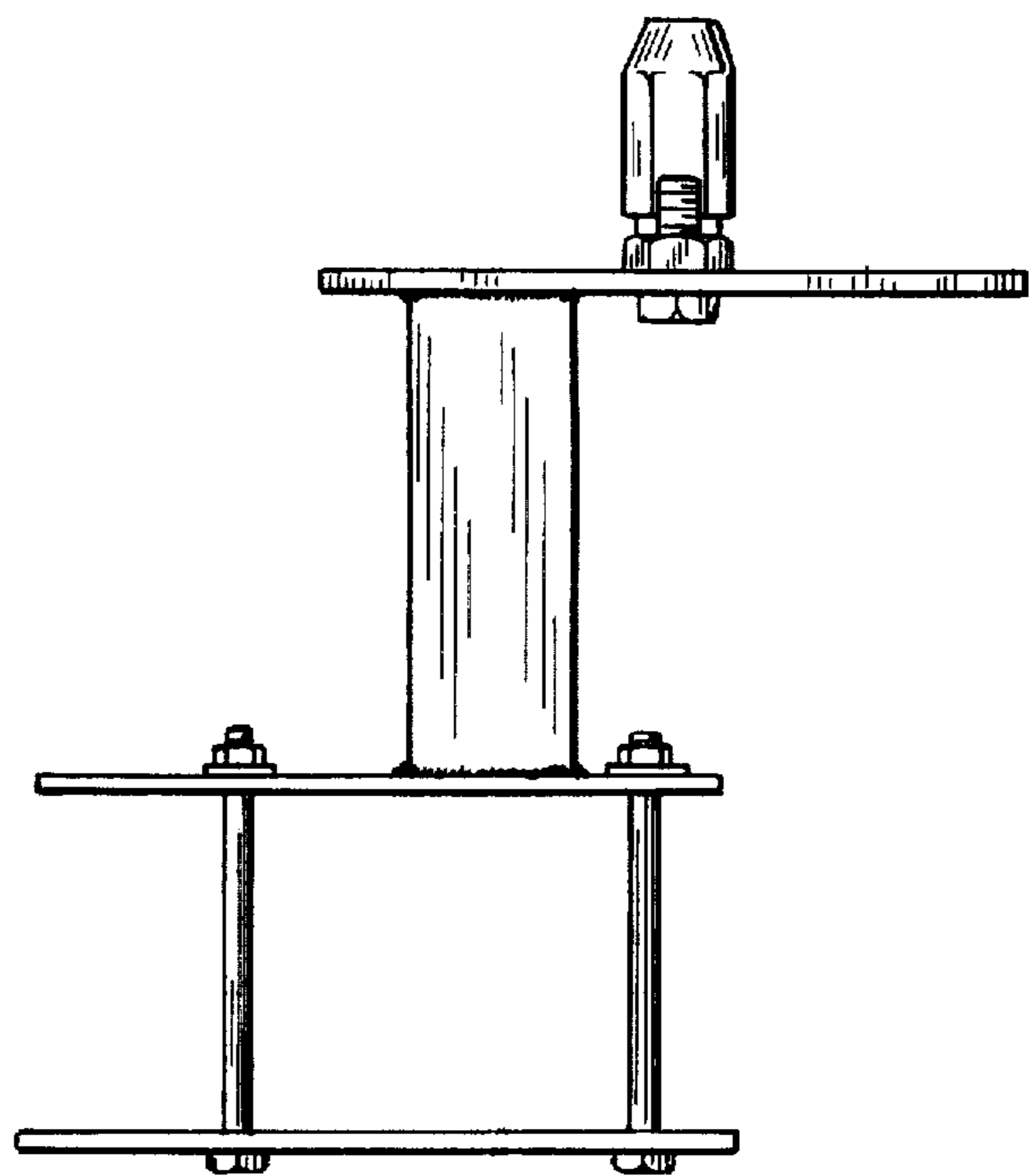


FIG. 3

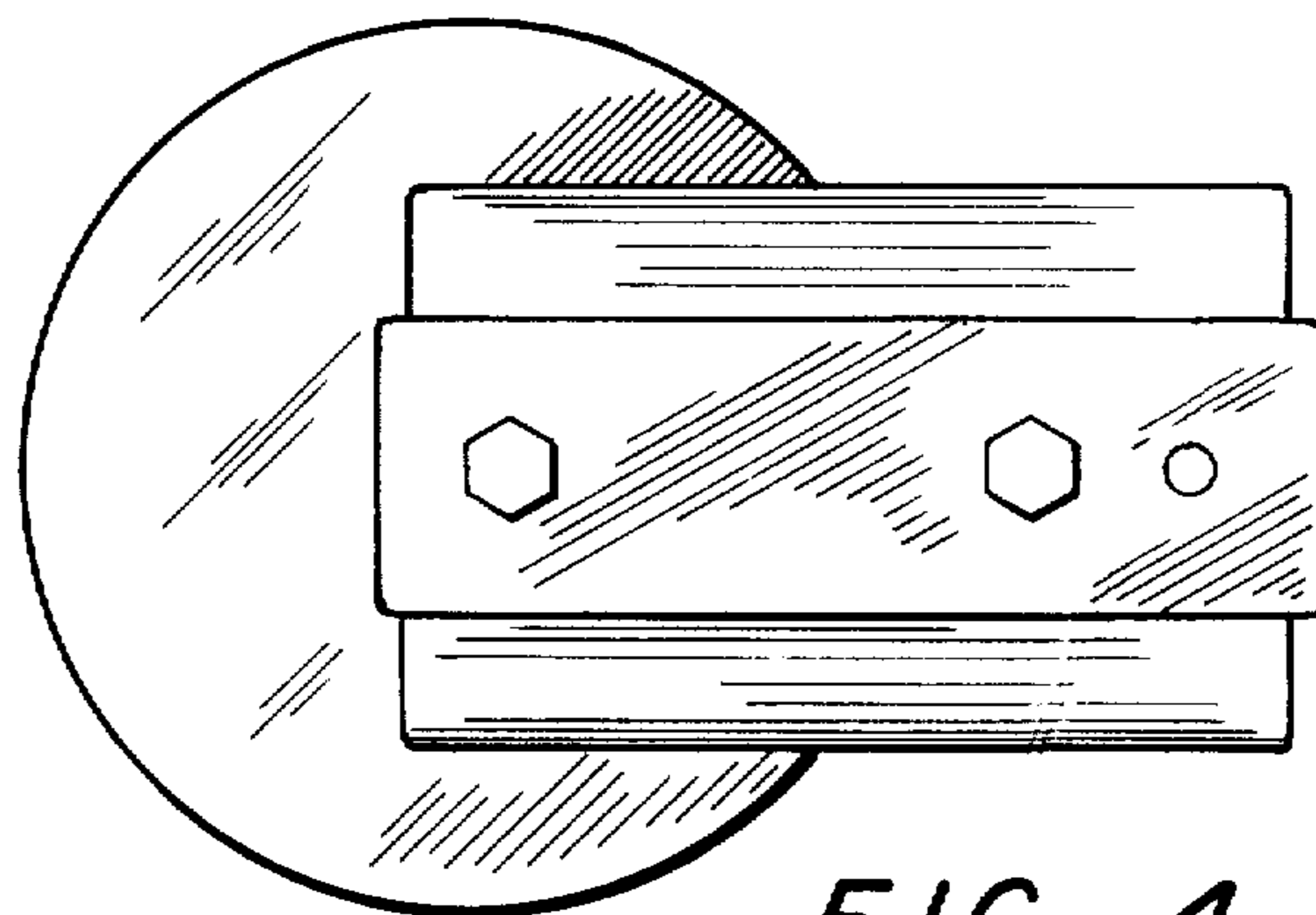


FIG. 4

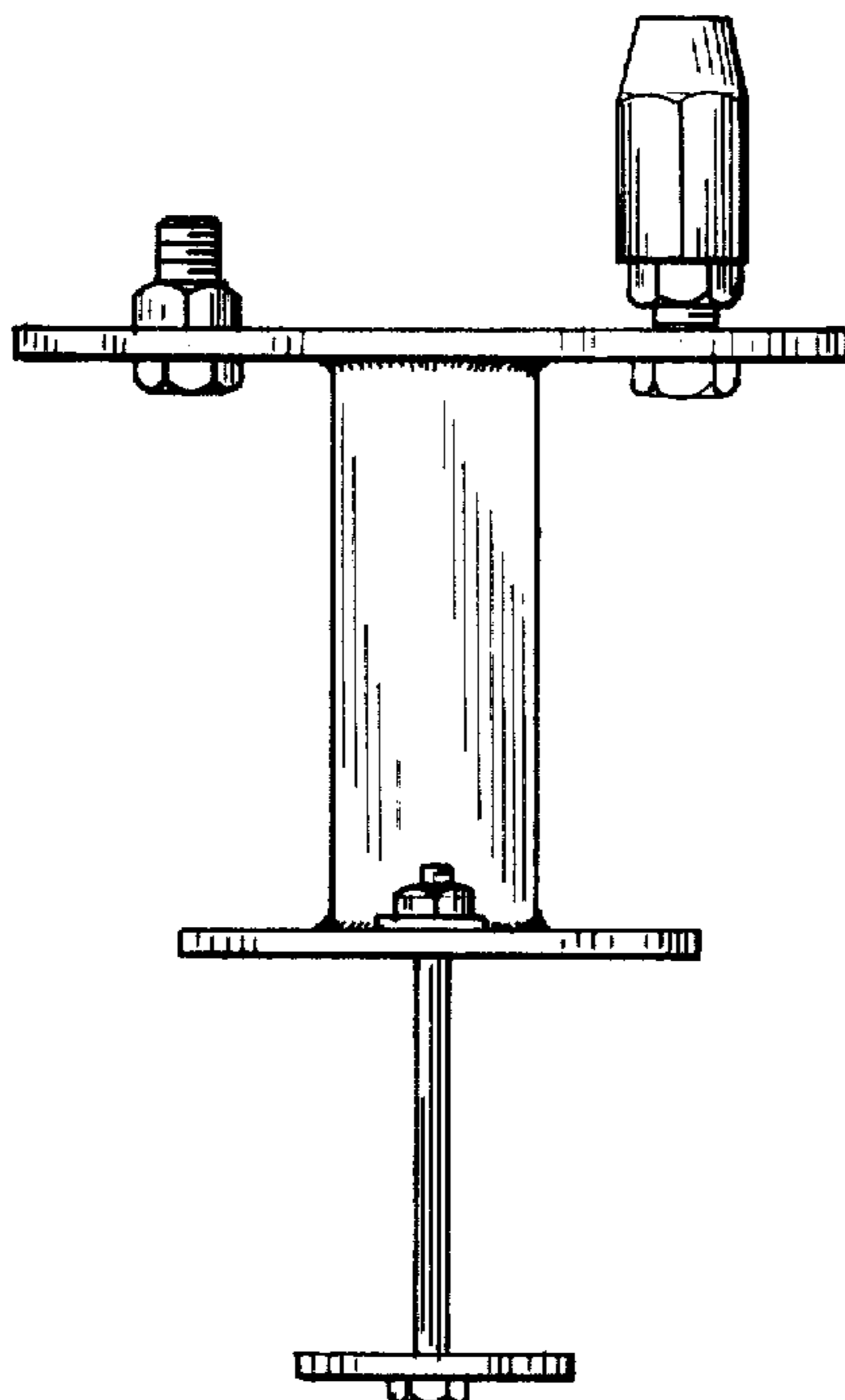


FIG. 5

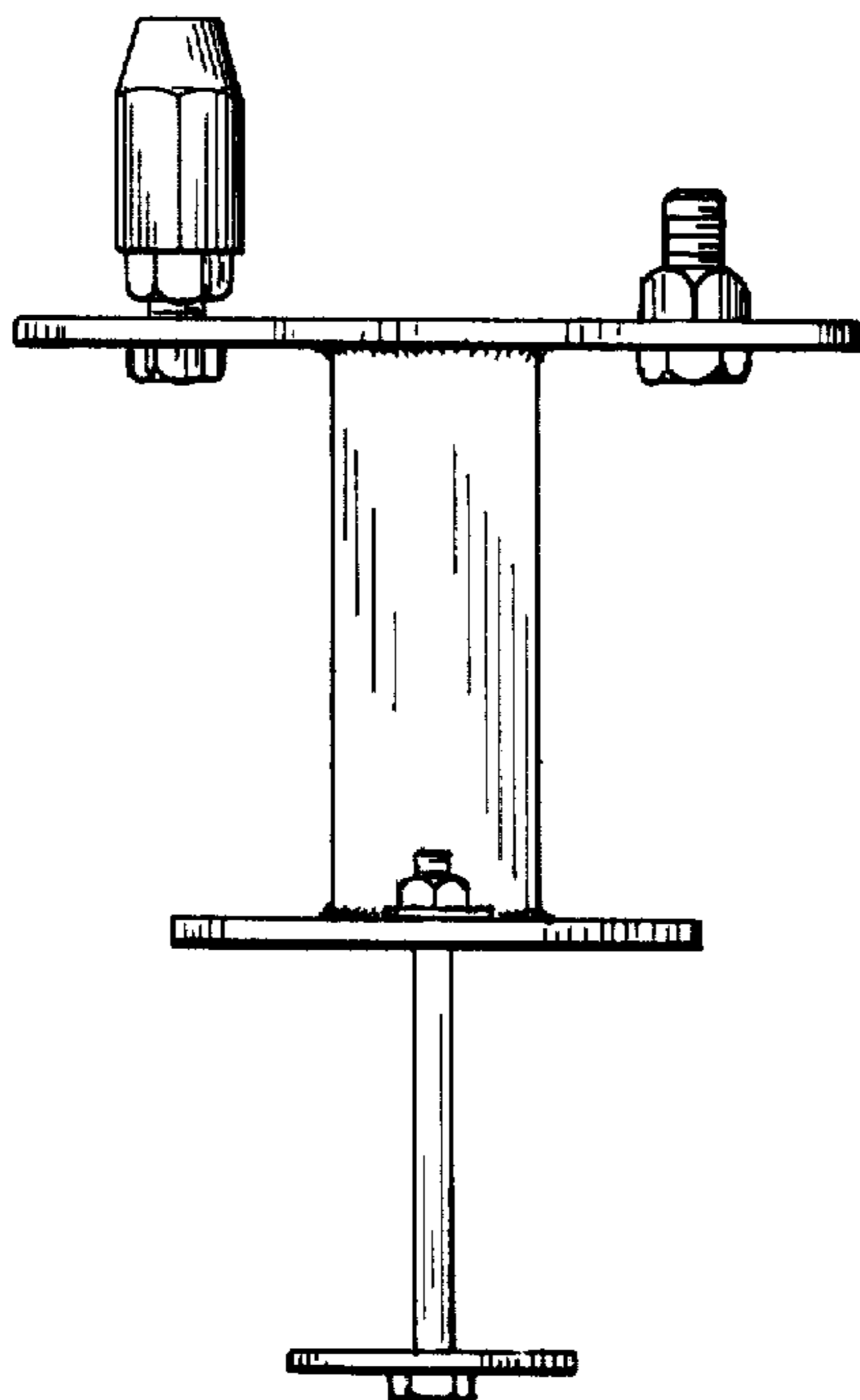


FIG. 6