

[54] **HEIGHT MEASURING DEVICE**

[75] Inventors: **William Y. Hutchinson, Chicago;**
Walter P. Kushmuk, Niles, both of
Ill.

[73] Assignee: **Continental Scale Corporation,**
Bridgeview, Ill.

[**] Term: **14 Years**

[21] Appl. No.: **604,359**

[22] Filed: **Aug. 13, 1975**

[51] Int. Cl. **D10-04**

[52] U.S. Cl. **D10/71**

[58] Field of Search **D10/61-62,**
D10/64-65, 70, 71, 80; 33/169 R

3,137,943 6/1964 Mechaneck D10/70 X
 3,808,694 5/1974 Hutchinson 33/169 R
 D. 172,139 5/1954 Giepen D10/71
 D. 177,541 4/1956 Wambach D10/64
 D. 210,411 3/1968 Joyce D10/71
 D. 232,759 9/1974 Hall D10/71

Primary Examiner—Nelson C. Holtje
Attorney, Agent, or Firm—Richard L. Johnston

[56] **References Cited**
 U.S. PATENT DOCUMENTS
 1,799,566 4/1931 Price 33/169 R

[57] **CLAIM**

The ornamental design for height measuring device, as shown and described.

DESCRIPTION

FIG. 1 is a front elevational view of the height measuring device showing our new design;
 FIG. 2 is a top plan view thereof;
 FIG. 3 is a right side elevational view thereof, the left side being a mirror image thereto.



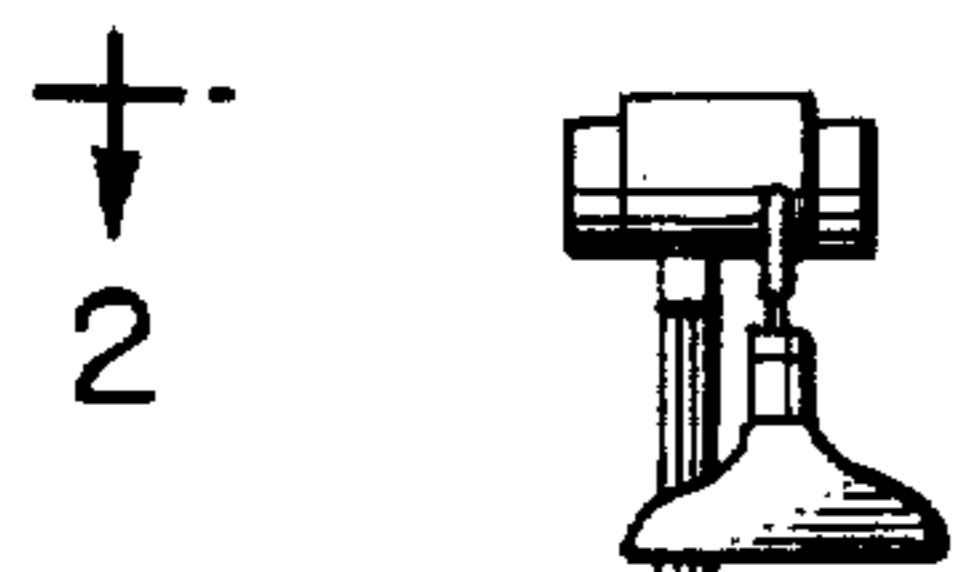


FIG. 1

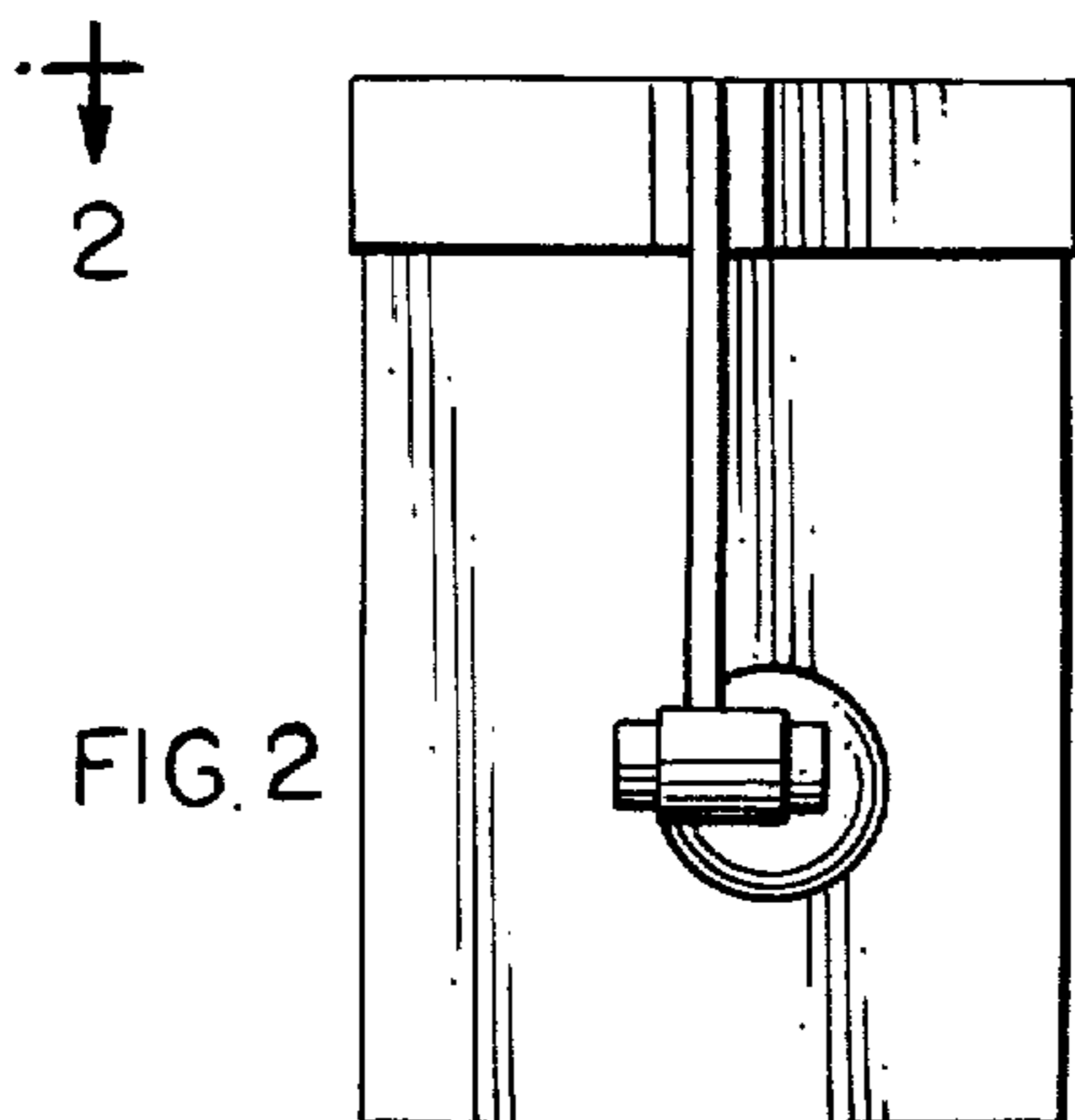


FIG. 2

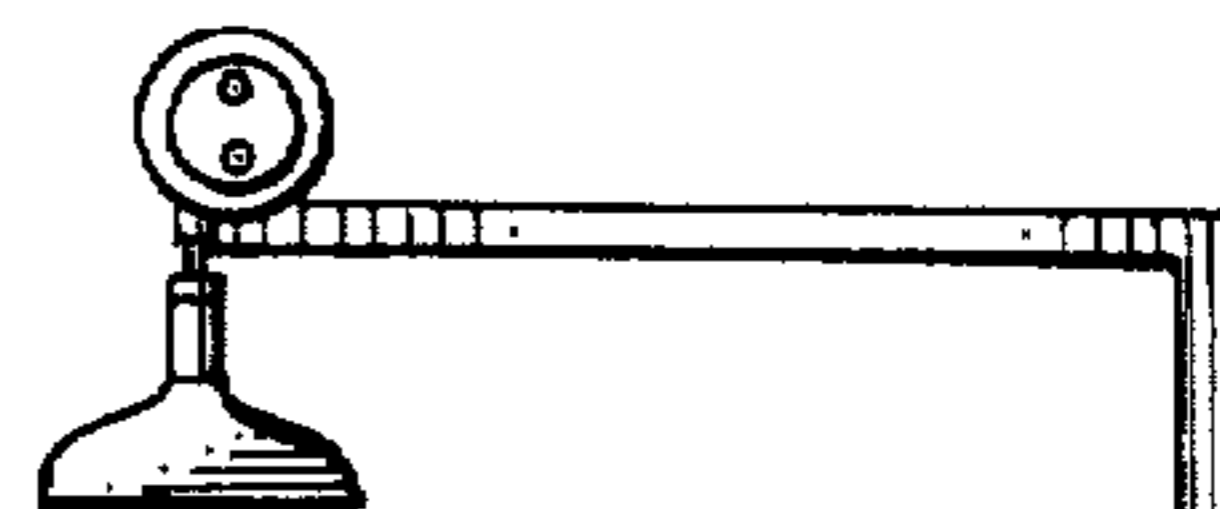


FIG. 3