

[54] END CLOSURE FOR A CONTAINER

[75] Inventor: Herman Rupert Markert, Hartsville, S.C.

[73] Assignee: Sonoco Products Company, Hartsville, S.C.

[\*\*] Term: 14 Years

[21] Appl. No.: 639,785

[22] Filed: Dec. 11, 1975

[51] Int. Cl. .... D9-07

[52] U.S. Cl. .... D9/255

[58] Field of Search ..... 220/270-273;  
D9/255, 256, 253

[56] References Cited

U.S. PATENT DOCUMENTS

3,941,277 3/1976 McKinney ..... 220/273

D. 218,961 10/1970 Kennedy ..... D9/256  
D. 224,209 7/1972 Kinkel ..... D9/255  
D. 226,071 1/1973 Saunders ..... D9/255  
D. 226,073 1/1973 Westphal ..... D9/255

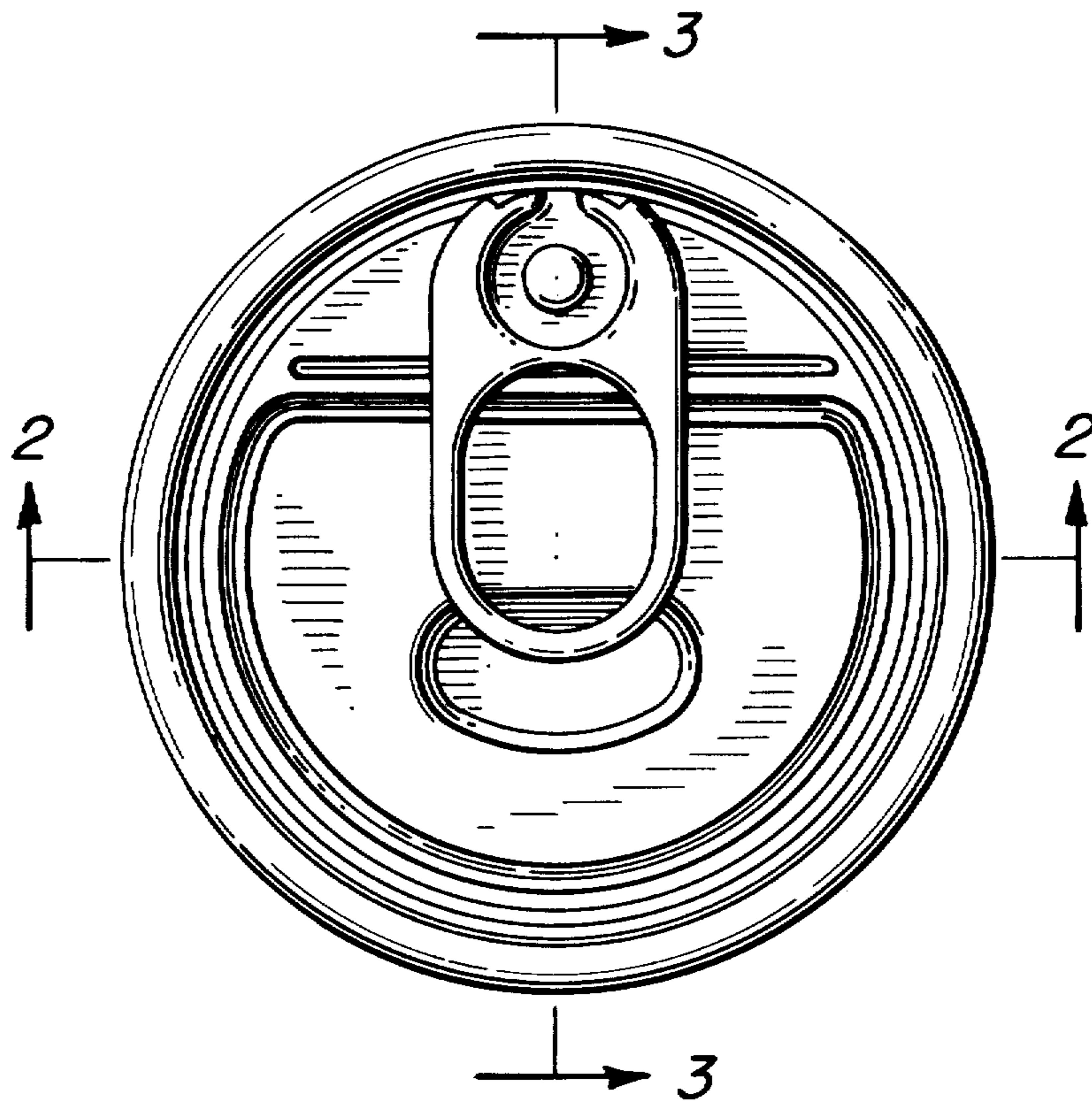
Primary Examiner—Robert C. Spangler  
Attorney, Agent, or Firm—Robert I. Dennison

[57] CLAIM

The ornamental design for an end closure for a container, substantially as shown.

DESCRIPTION

FIG. 1 is a top plan view of an end closure for a container showing my new design;  
FIG. 2 is a sectional view taken along the lines 2—2 of FIG. 1;  
FIG. 3 is a sectional view taken along the lines 3—3 of FIG. 1; and  
FIG. 4 is a bottom view.



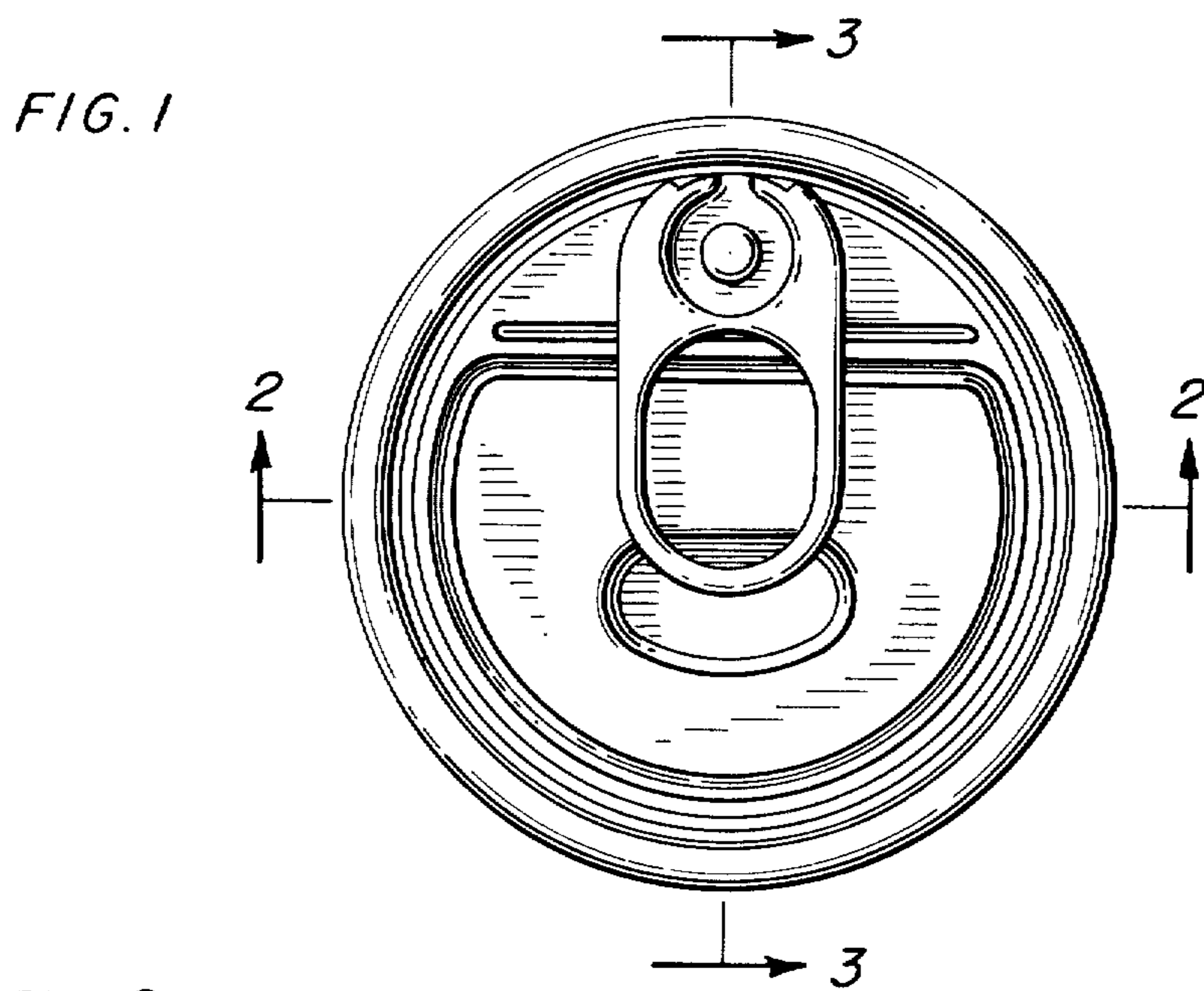


FIG. 2

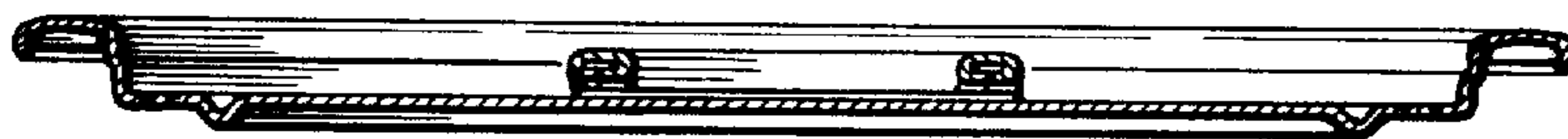


FIG. 3



FIG. 4

