

[54] BOTTLE OR SIMILAR ARTICLE
 [75] Inventors: **Wayne R. Hutter; John Andrew Miller**, both of Midland, Mich.
 [73] Assignee: **The Dow Chemical Company**, Midland, Mich.
 [**] Term: **14 Years**
 [21] Appl. No.: **608,861**
 [22] Filed: **Aug. 29, 1975**
 [51] Int. Cl. **D9-01**
 [52] U.S. Cl. **D9/53**
 [58] Field of Search **D9/38-53; 215/1 R, 1 C**

[56] **References Cited**
U.S. PATENT DOCUMENTS
 D. 208,011 6/1967 Swayze D9/44
 D. 222,335 10/1971 Beaver D9/47

D. 235,623 7/1975 Lloveras D9/42
 D. 237,255 10/1975 Plummer D9/52

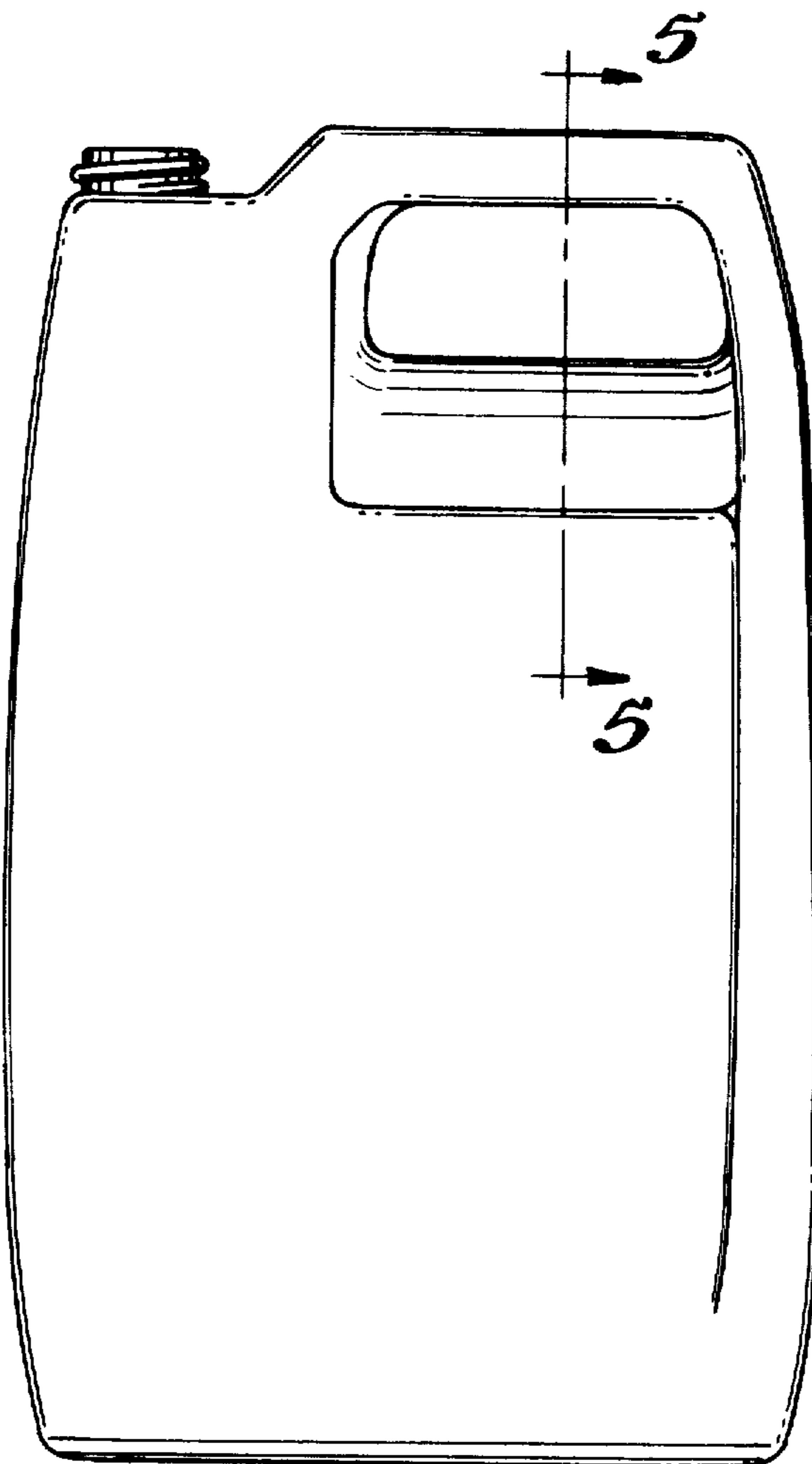
Primary Examiner—Robert C. Spangler
Attorney, Agent, or Firm—Merton B. Lilly

[57] **CLAIM**

The ornamental design for a bottle or similar article, as shown.

DESCRIPTION

FIG. 1 is a side elevation view of a bottle or similar article, showing our new design;
 FIG. 2 is an elevation view looking from the left of FIG. 1;
 FIG. 3 is an elevation view looking from the right of FIG. 1.
 FIG. 4 is a plan view; and
 FIG. 5 is a partial cross-sectional view taken along line 5-5 of FIG. 1.



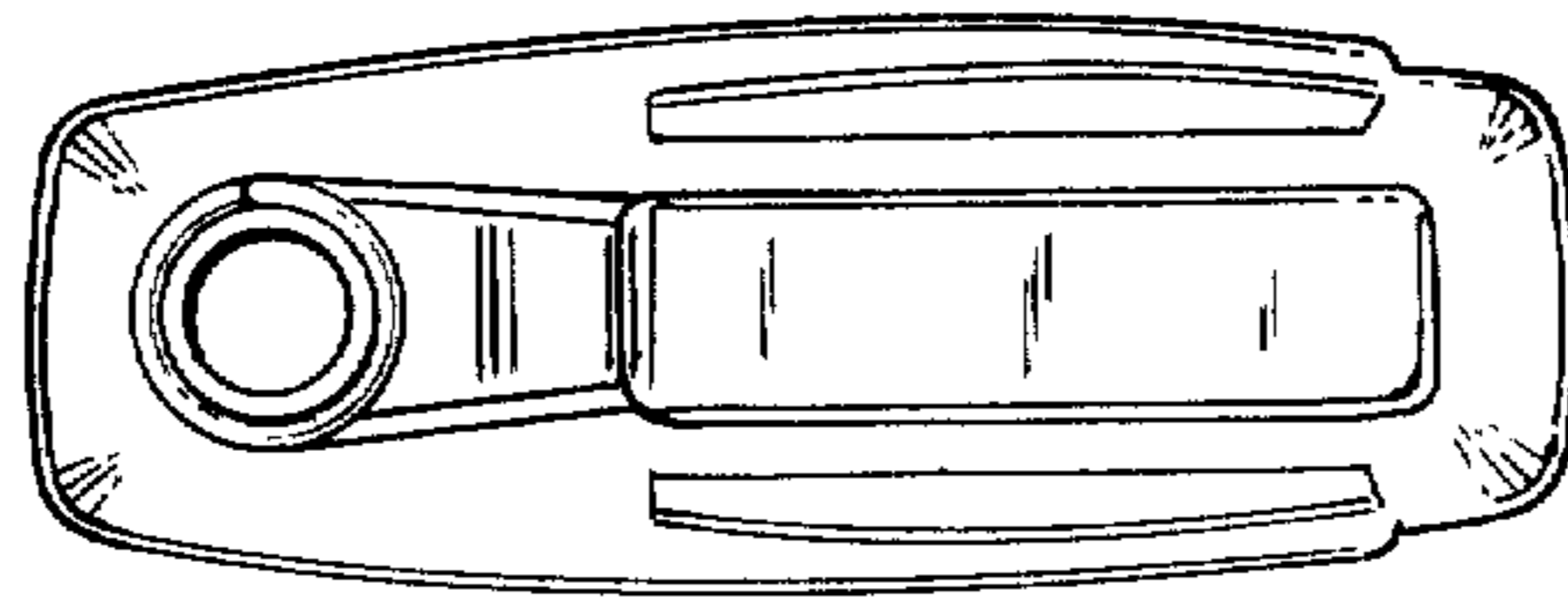


Fig. 4

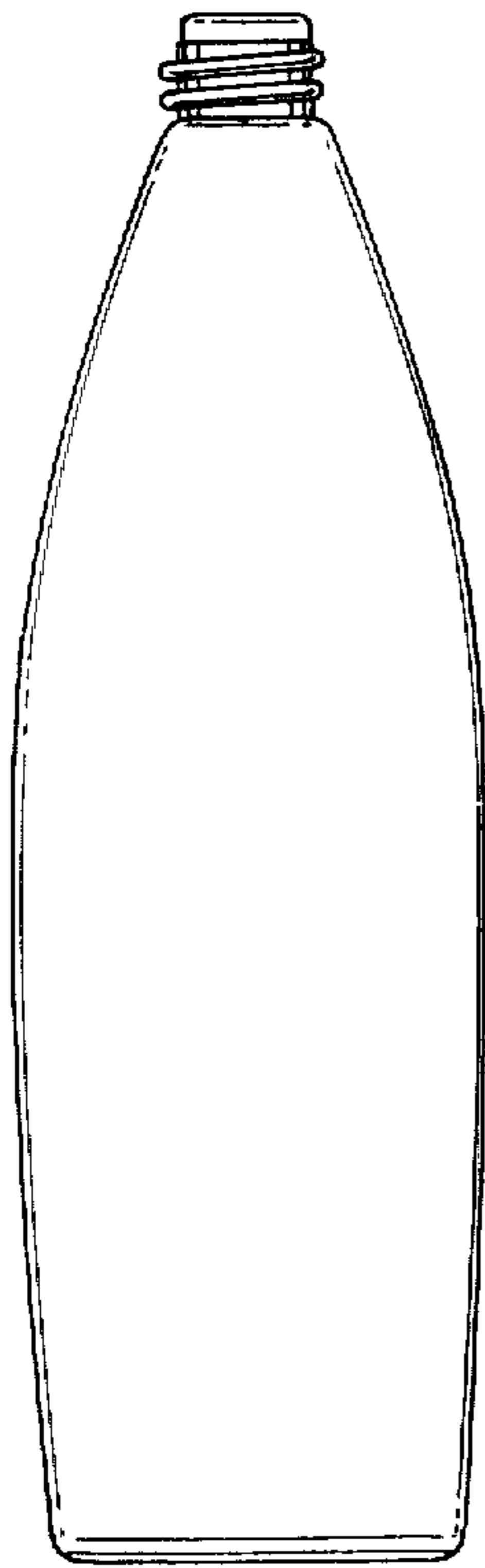


Fig. 2

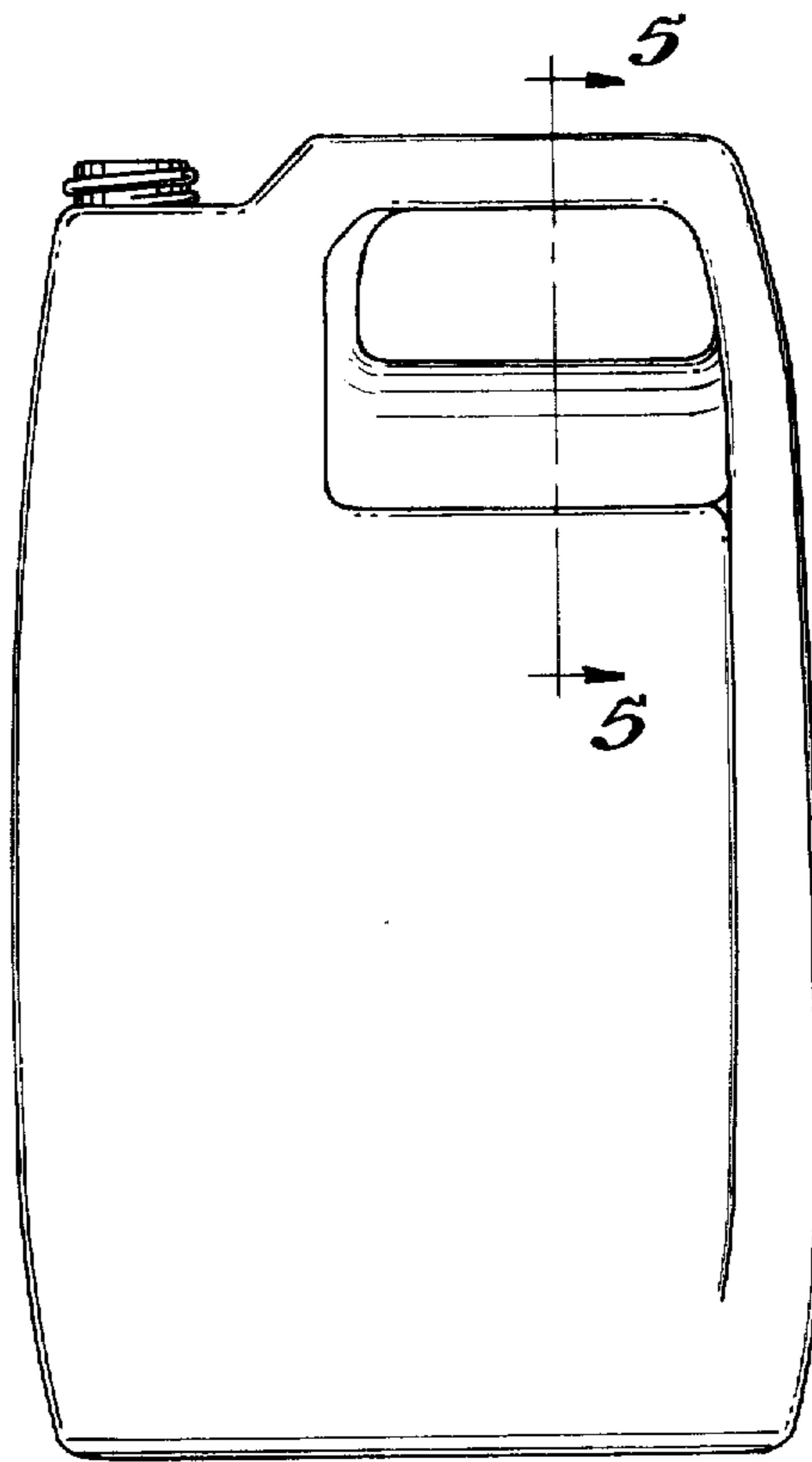


Fig. 1

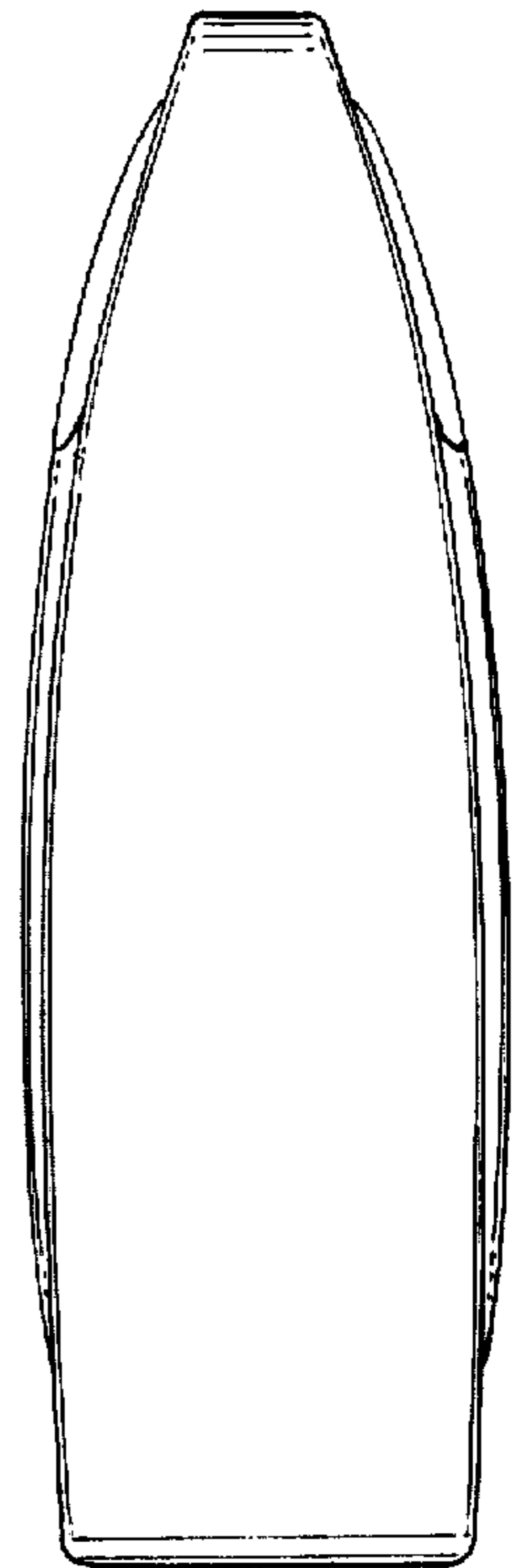


Fig. 3

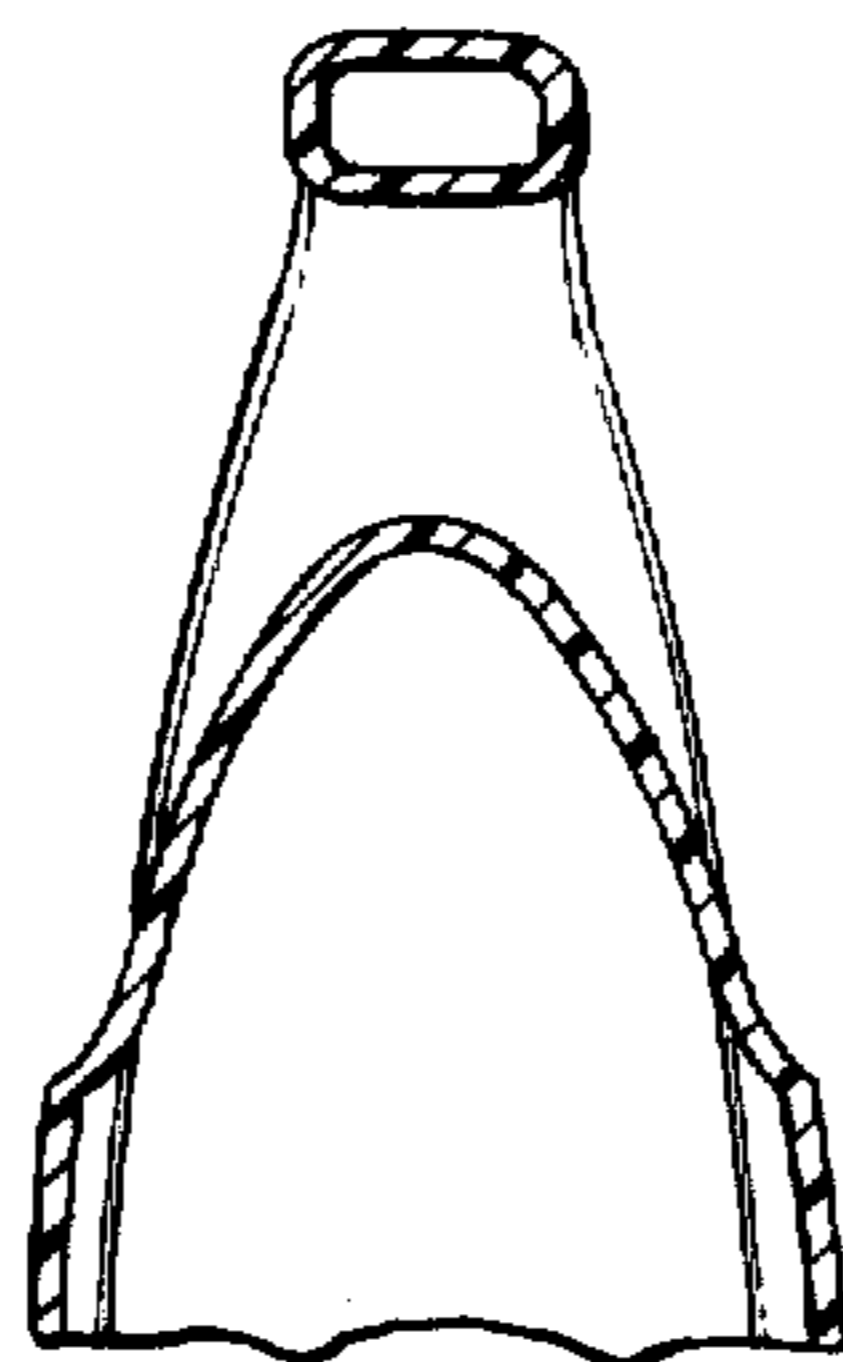


Fig. 5