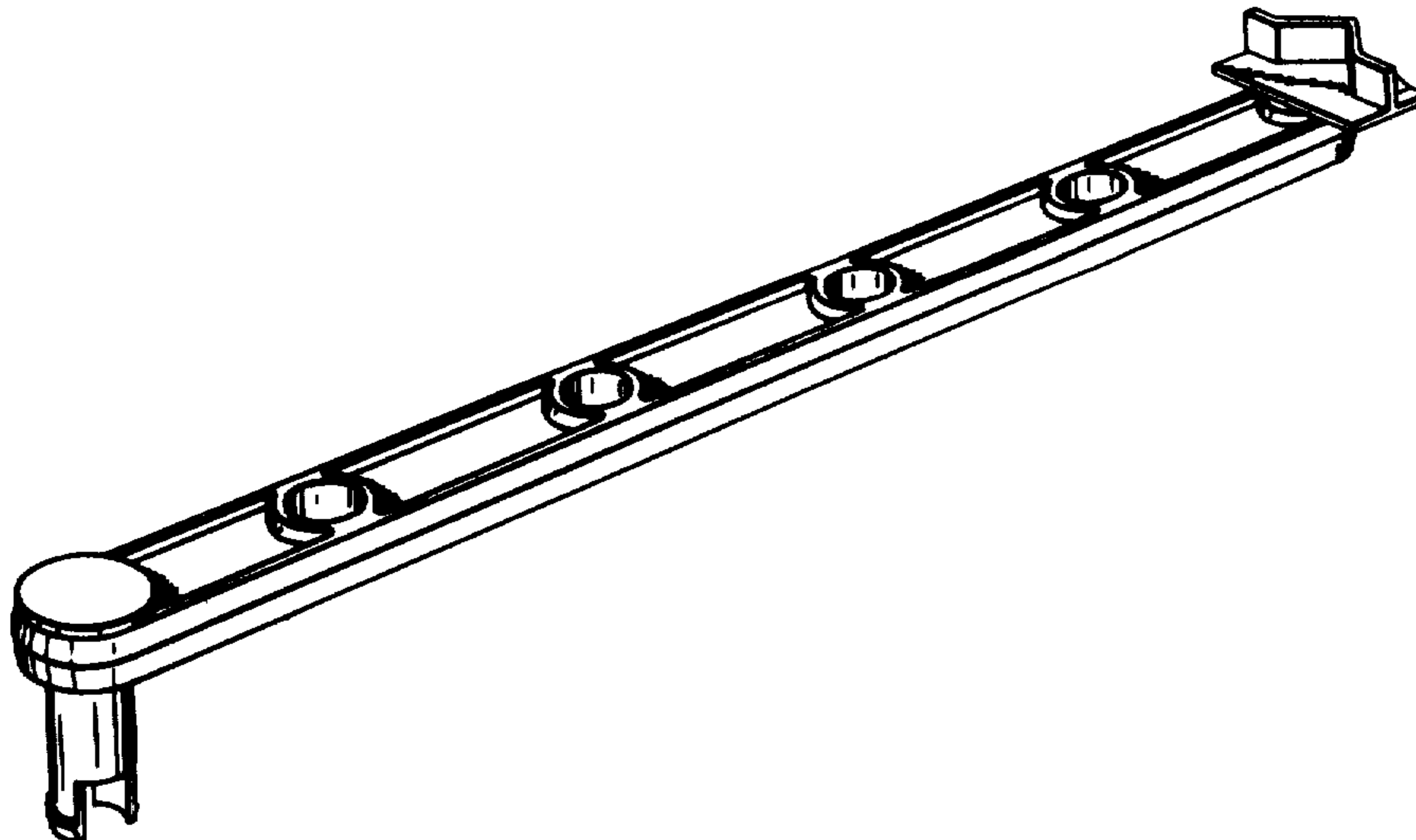


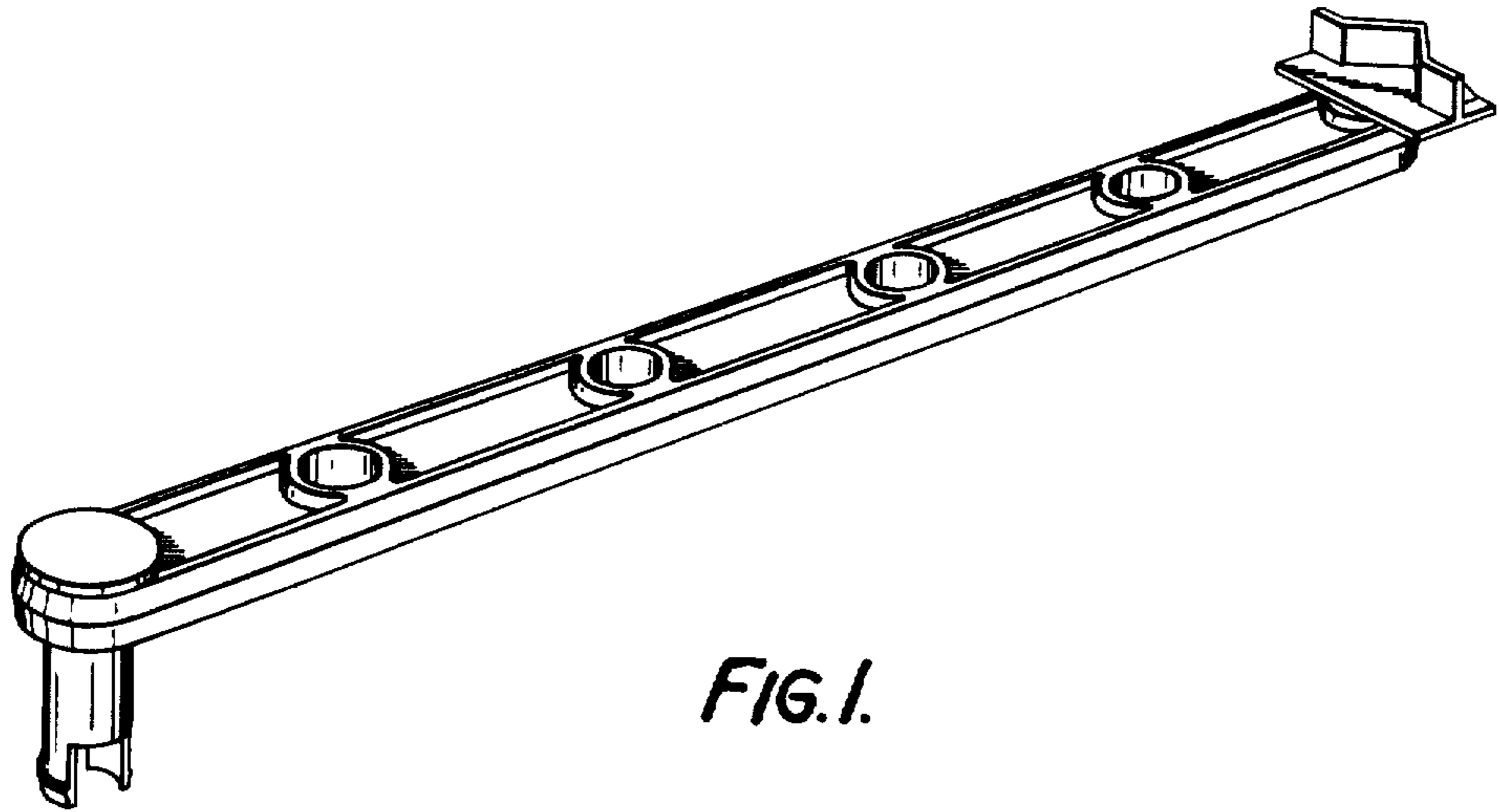
- [54] **EXTENSION ARM FOR A VISE**
- [75] **Inventor: Ronald Price Hickman, Waltham Abbey, England**
- [73] **Assignee: Hickman Designs Limited**
- [\*\*] **Term: 14 Years**
- [21] **Appl. No.: 637,158**
- [22] **Filed: Dec. 3, 1975**
- [30] **Foreign Application Priority Data**  
 Oct. 9, 1975 Canada ..... 0910752
- [51] **Int. Cl. .... D8-05**
- [52] **U.S. Cl. .... D8/74**
- [58] **Field of Search .... D8/74, 108**

- [56] **References Cited**  
**U.S. PATENT DOCUMENTS**  
 D. 176,649 1/1956 Yates ..... D8/74  
*Primary Examiner—Alan P. Douglas*  
*Attorney, Agent, or Firm—Granville M. Brumbaugh*

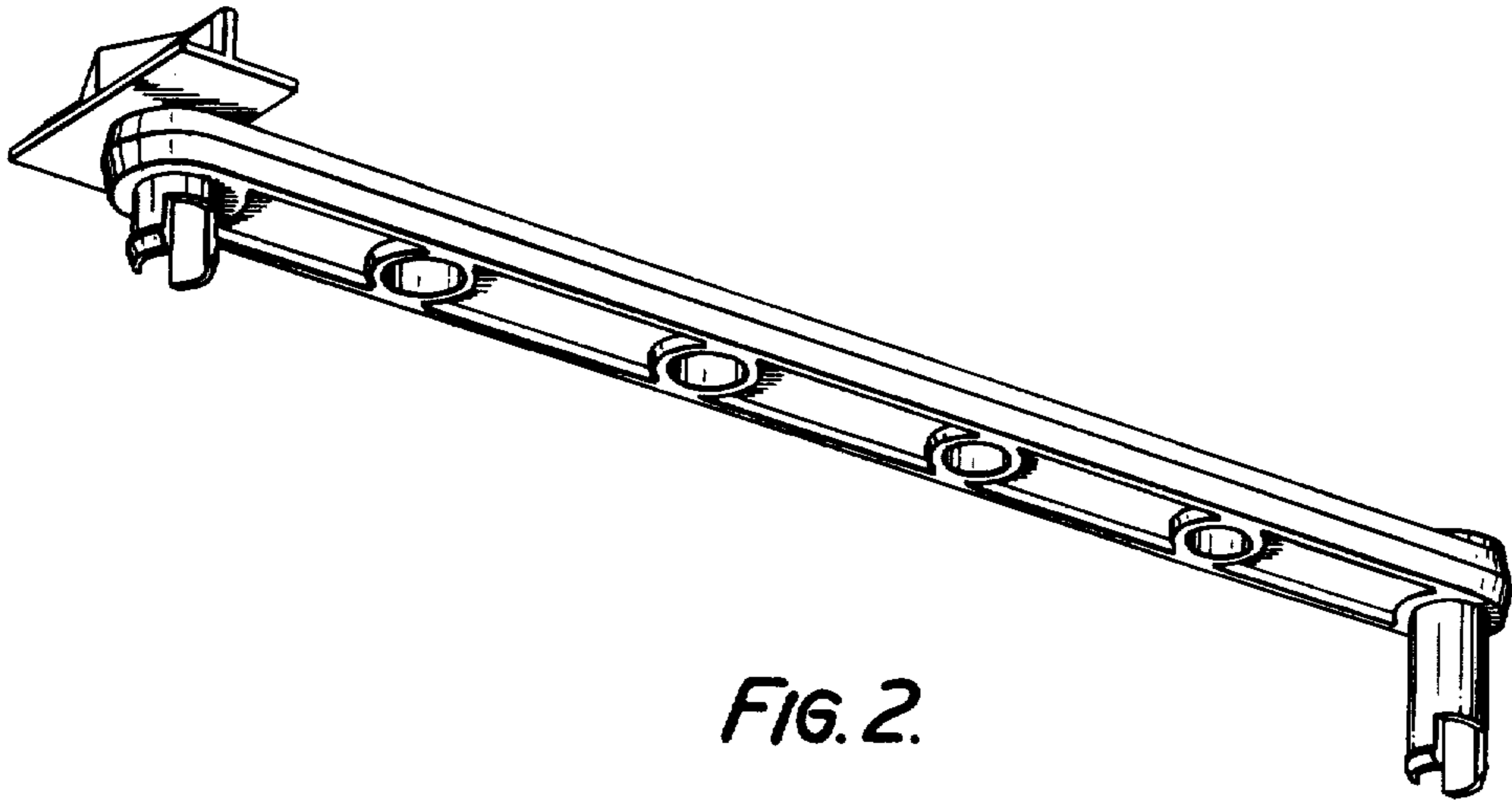
[57] **CLAIM**  
 The ornamental design for an extension arm for a vise, as shown and described.

**DESCRIPTION**  
 FIG. 1 is a perspective view from above of an extension arm for a vise showing a plug at one end for insertion into a vertical bore in the top of a vise jaw and showing at the other end a transferable plug having a jaw face at its top end;  
 FIG. 2 is a perspective view from beneath of the device shown in FIG. 1.





*FIG. 1.*



*FIG. 2.*