

[54] DRINKING STRAW

[76] Inventor: Robert K. Cloyd, 1309 Middleneck Drive, Apt. F, Salisbury, Md. 21801

[\*\*] Term: 14 Years

[21] Appl. No.: 579,586

[22] Filed: May 21, 1975

[51] Int. Cl. .... D7-06

[52] U.S. Cl. .... D7/42

[58] Field of Search ..... D7/42, 144; D45/19 Q, D45/19; D29/23 B, 28 A; 239/33; D94/3 D

[56] References Cited

U.S. PATENT DOCUMENTS

2,327,077	8/1943	Teetor	.....	D7/42 X
D. 39,034	1/1908	Rossi	.....	D45/19 Q
D. 169,240	4/1953	Dinhofer	.....	D7/42
D. 182,721	5/1958	Howes	.....	D7/42

OTHER PUBLICATIONS

Charms by Marchal Jewelers, 3-31-53, p. 38, Horse & Stirrup, middle row.

Primary Examiner—Winifred E. Herrmann  
Attorney, Agent, or Firm—Clarence A. O'Brien;  
Harvey B. Jacobson

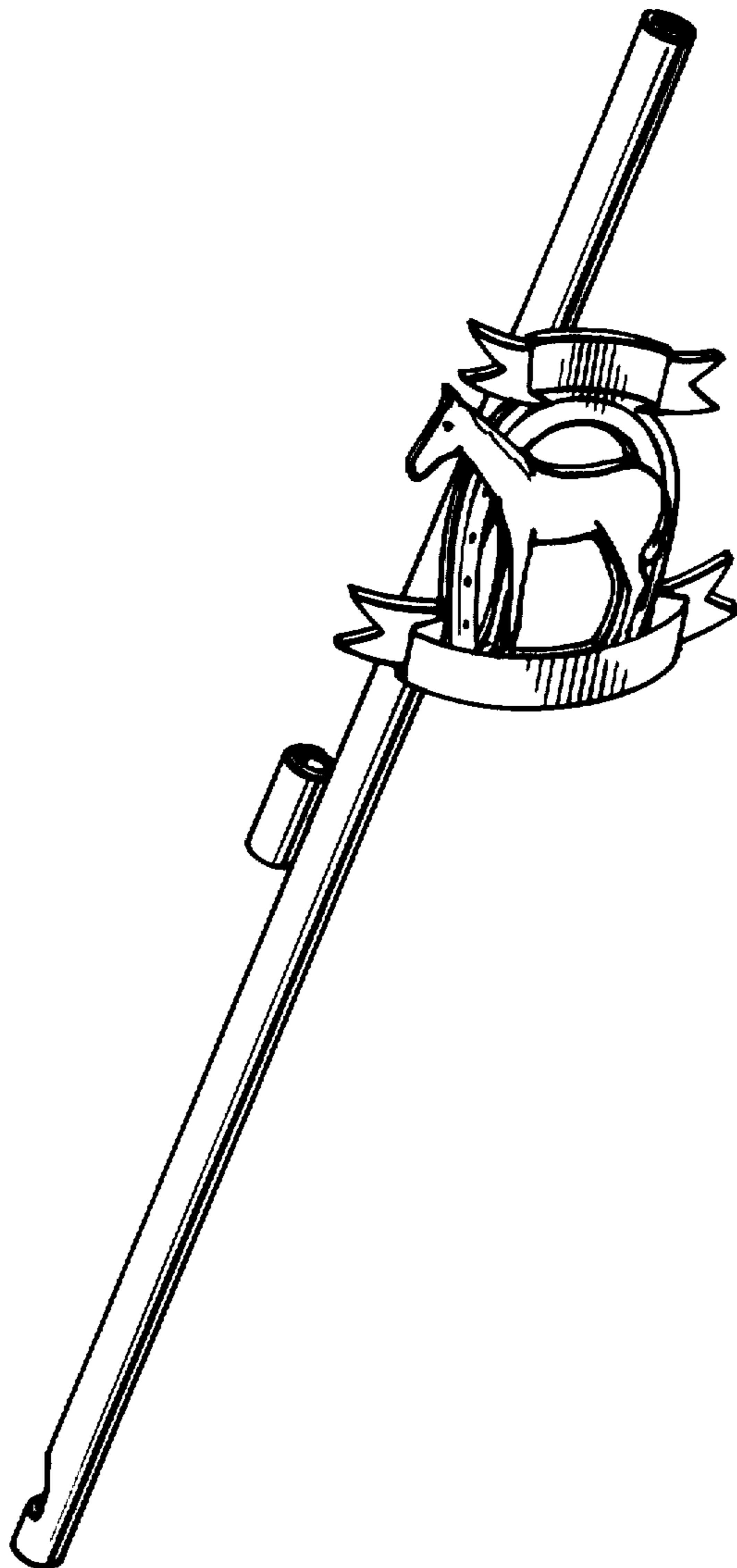
[57] CLAIM

The ornamental design for a drinking straw, substantially as shown and described.

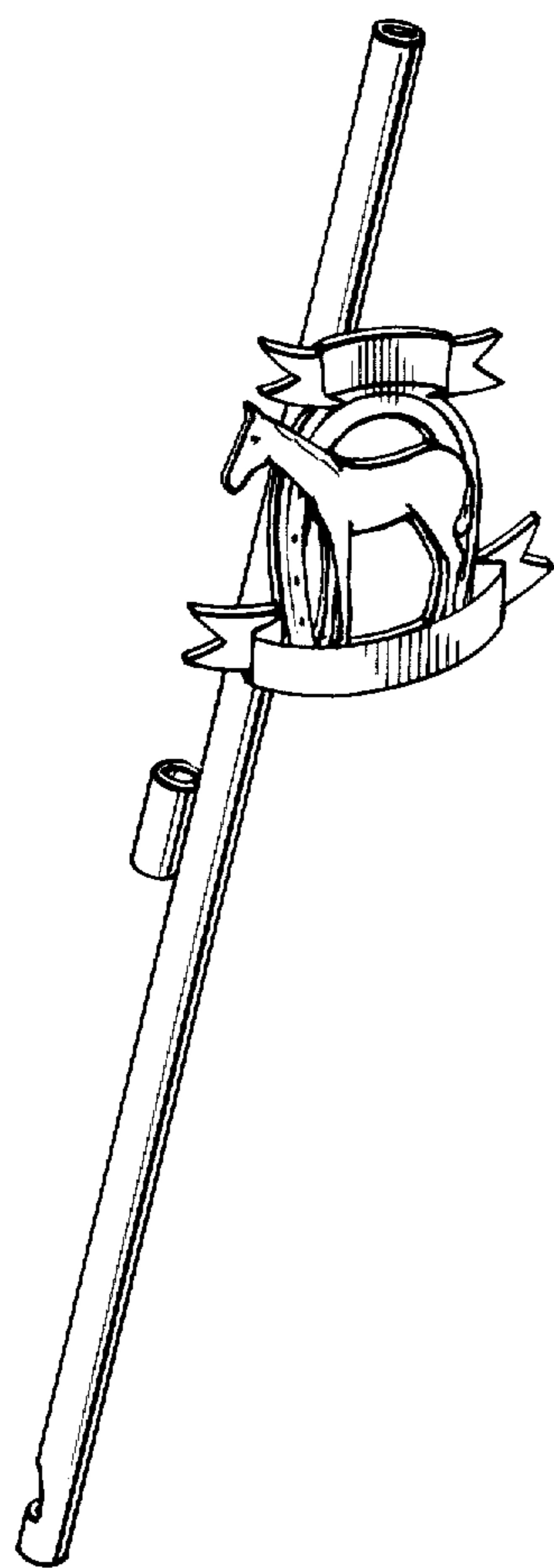
DESCRIPTION

FIG. 1 is a front perspective view of a drinking straw showing my new design;  
FIG. 2 is a front elevational view thereof;  
FIG. 3 is a side elevational view thereof;  
FIG. 4 is a top plan view thereof; and  
FIG. 5 is a bottom plan view thereof.

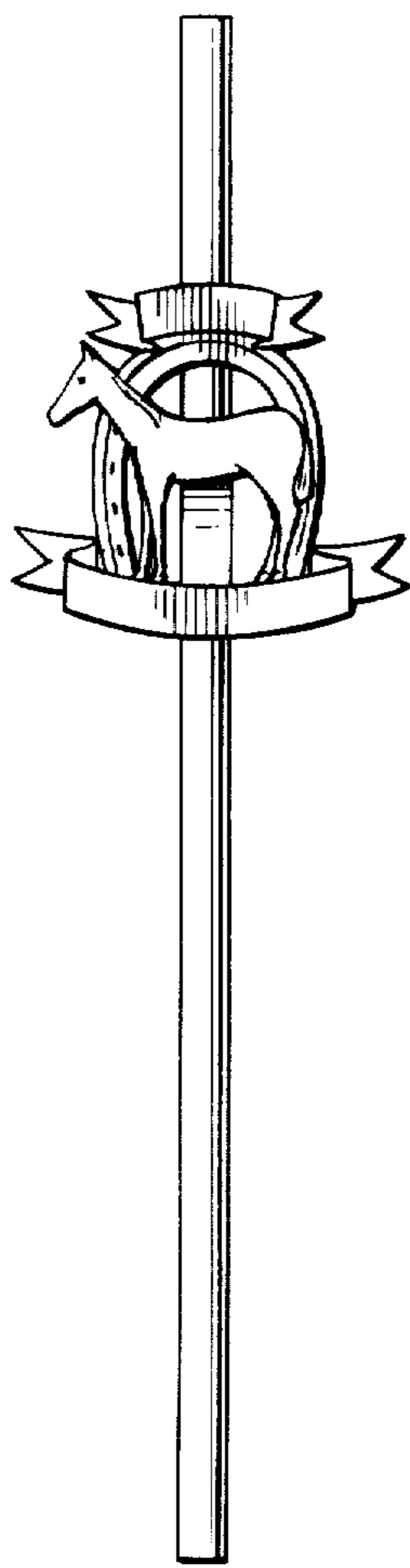
The rear of the straw is substantially plain and unornamented except for the inlet adjacent the bottom and the cylindrical holder adjacent the center. The rear surface of the horse and associated components is substantially plain and unornamented.



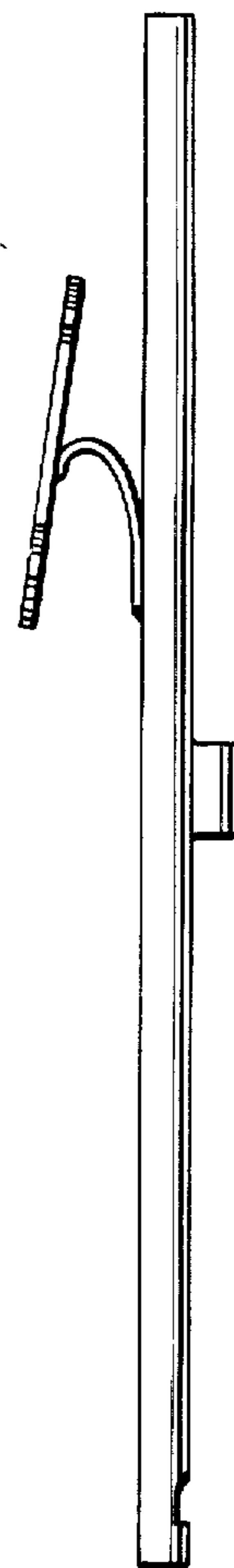
*Fig. 1*



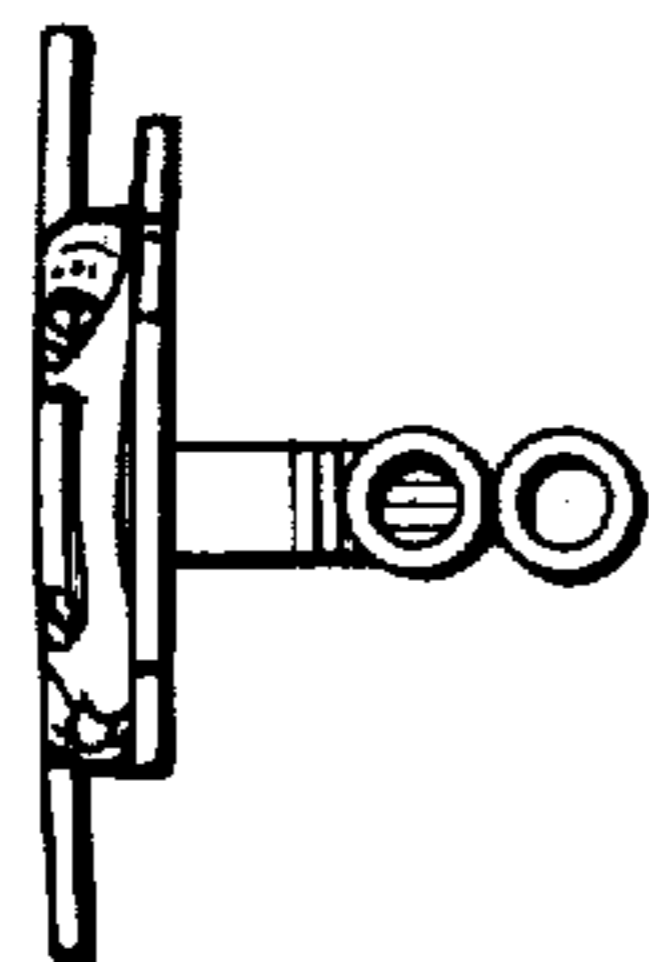
*Fig. 2*



*Fig. 3*



*Fig. 4*



*Fig. 5*

