

United States Patent [19]

Laroye

[11] **Des. 243,805**

[45]** **Mar. 29, 1977**

[54] **CHAIR**

[76] Inventor: **Eric Laroye, Koningstraat 14, Bus 2, Oostende, Belgium**

[**] Term: **14 Years**

[21] Appl. No.: **586,340**

[22] Filed: **June 12, 1975**

[51] Int. Cl. **D6-01**

[52] U.S. Cl. **D6/30**

[58] Field of Search **D6/47-78**

[56] **References Cited**

U.S. PATENT DOCUMENTS

D. 224,191 7/1972 Strassle D6/66

D. 235,286 6/1975 Martinelli D6/66 X
D. 235,709 7/1975 Schier D6/66

OTHER PUBLICATIONS

Design Catalog, Nov. 1970, p. 33, chair at left.
Domus, Nov. 1971, p. 28, chair top right by Rima.

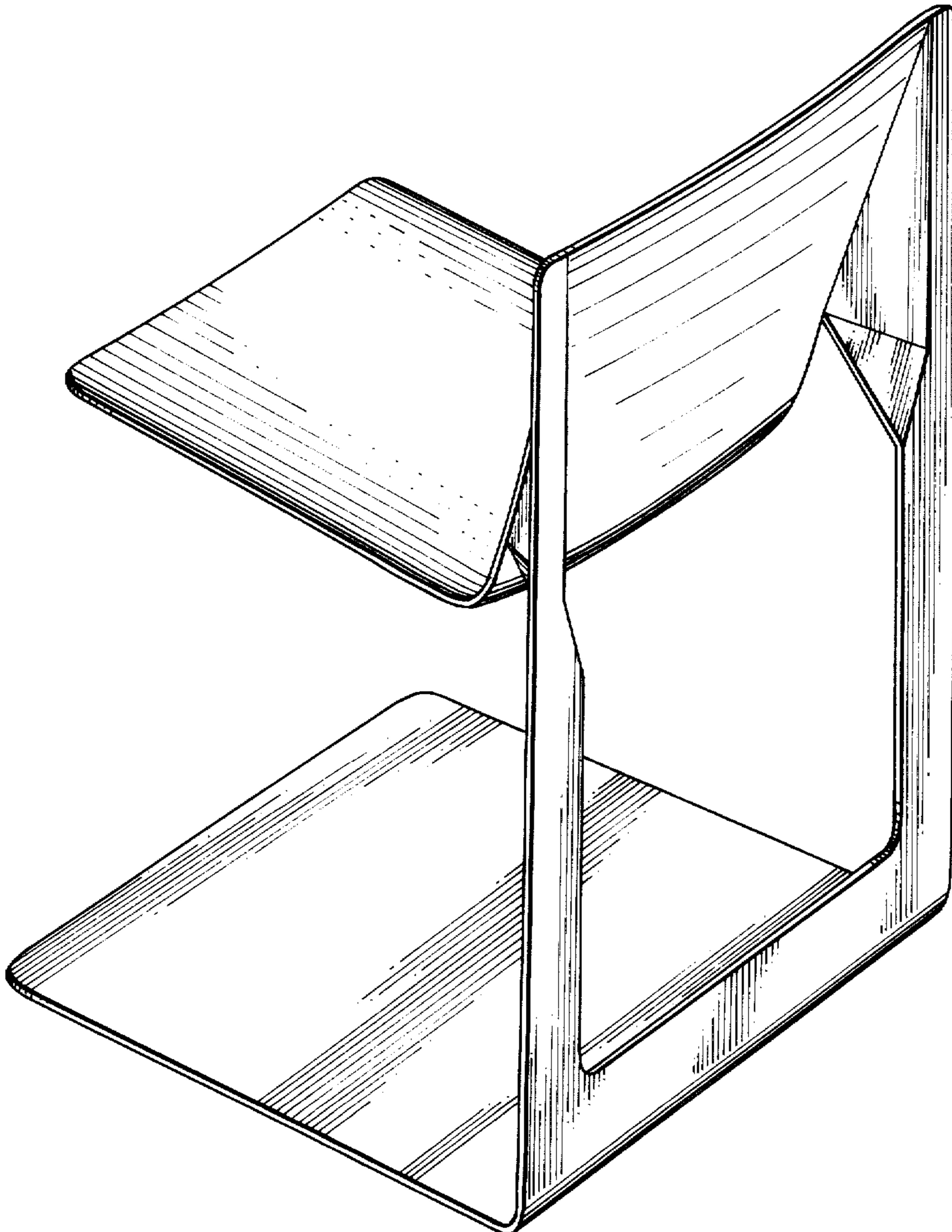
Primary Examiner—Bruce W. Dunkins
Attorney, Agent, or Firm—Albert C. Nolte, Jr.

[57] **CLAIM**

The ornamental design for a chair, as shown.

DESCRIPTION

The FIGURE is a perspective view of a chair showing my design.



U.S. Patent

March 29, 1977

Des. 243,805

