

[54] YARN HOLDER

[76] Inventor: Sylvia L. Samet, 910 Parkwood Circle, P.O. Box 2012, High Point, N.C. 27261

[**] Term: 14 Years

[21] Appl. No.: 611,184

[22] Filed: Sept. 8, 1975

[51] Int. Cl. D15-06

[52] U.S. Cl. D3/19 R

[58] Field of Search D86/10 C; D3/19 R, 19 A; 242/139

[56] References Cited

U.S. PATENT DOCUMENTS

2,501,211 3/1950 Cummings D3/19 A X
D. 236,529 8/1975 Courtney D47/5

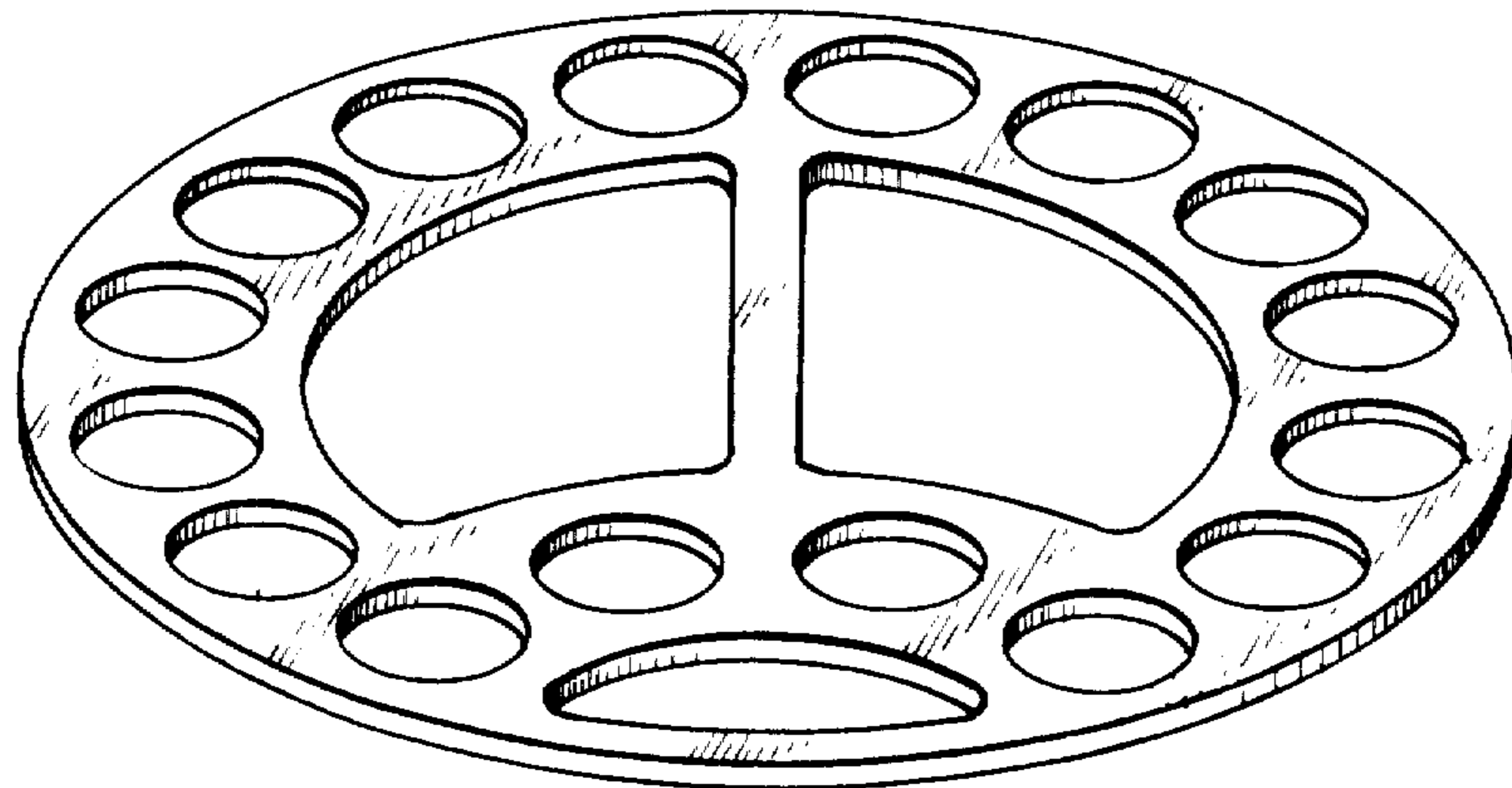
Primary Examiner—Joel Stearman
Assistant Examiner—Josephine Lloyd
Attorney, Agent, or Firm—David Rabin

[57] CLAIM

The ornamental design for a yarn holder, as shown and described.

DESCRIPTION

FIG. 1 is a front prospective view of a yarn holder showing my new design;
FIG. 2 is a top plan view; and
FIG. 3 is an edge elevational view.



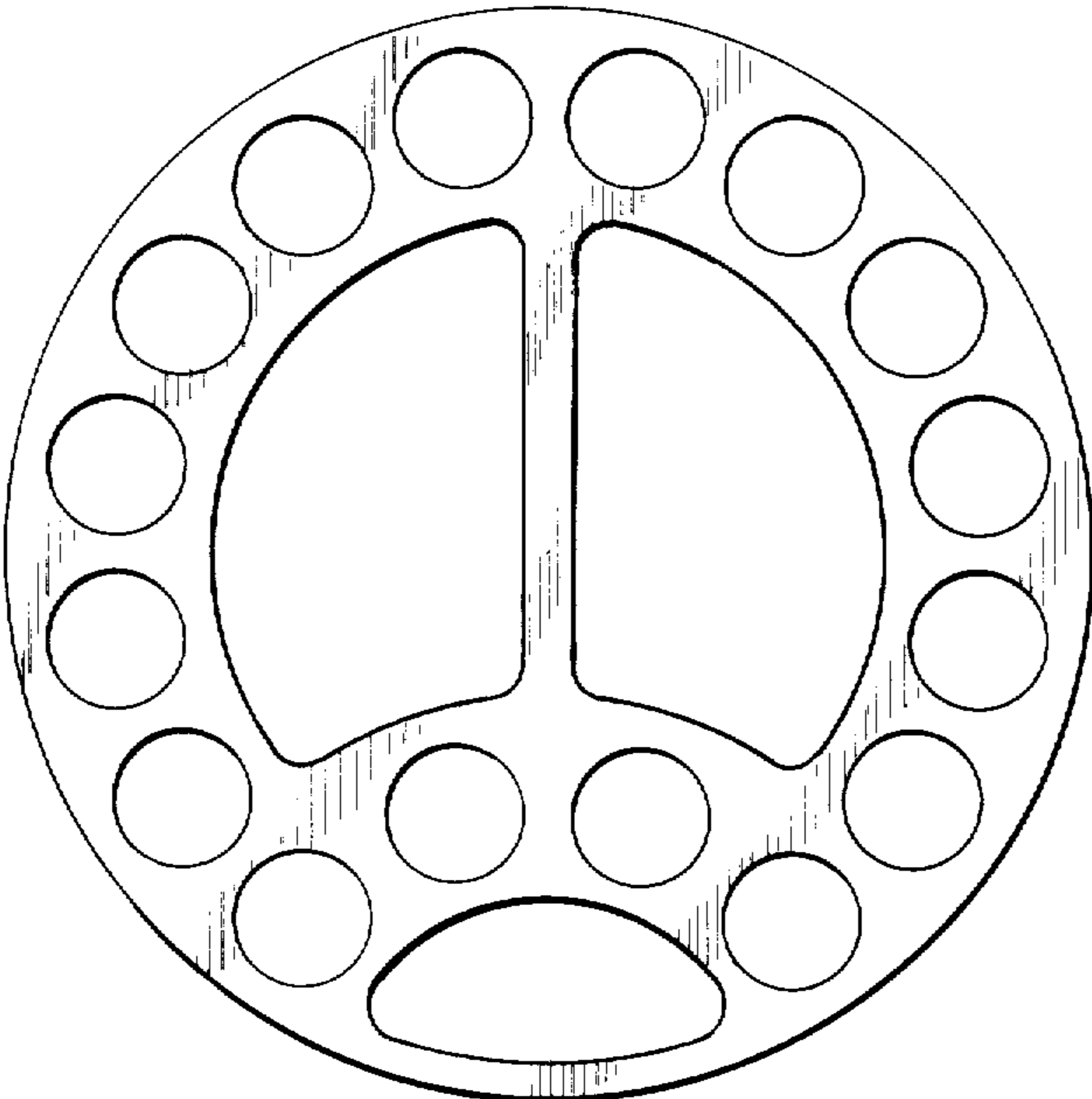


FIG. 2



FIG. 3

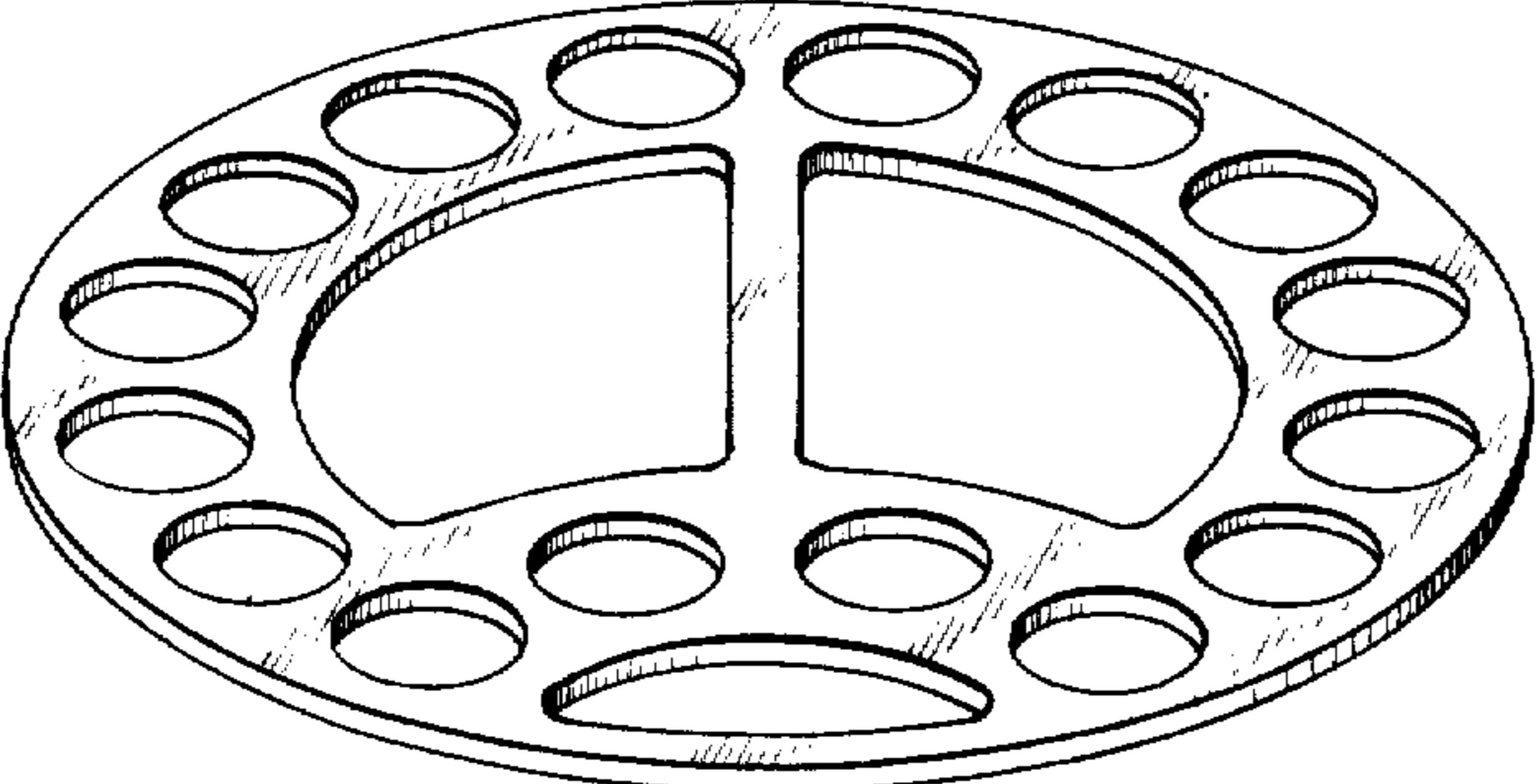


FIG. 1