

[54] PUMP
 [75] Inventor: Ramon Pareja, Minneapolis, Minn.
 [73] Assignee: Lear Siegler, Inc., Santa Monica, Calif.
 [**] Term: 14 Years
 [21] Appl. No.: 594,727
 [22] Filed: July 10, 1975
 [51] Int. CL D15-02
 [52] U.S. CL D15/7
 [58] Field of Search D65/1 R, 1 A; 417/534, 417/536; 92/171

3,472,171 10/1969 Sadler 417/536
 D. 100,476 7/1936 Murphy D65/1 R

Primary Examiner—James R. Largen
 Attorney, Agent, or Firm—Orrin M. Haugen

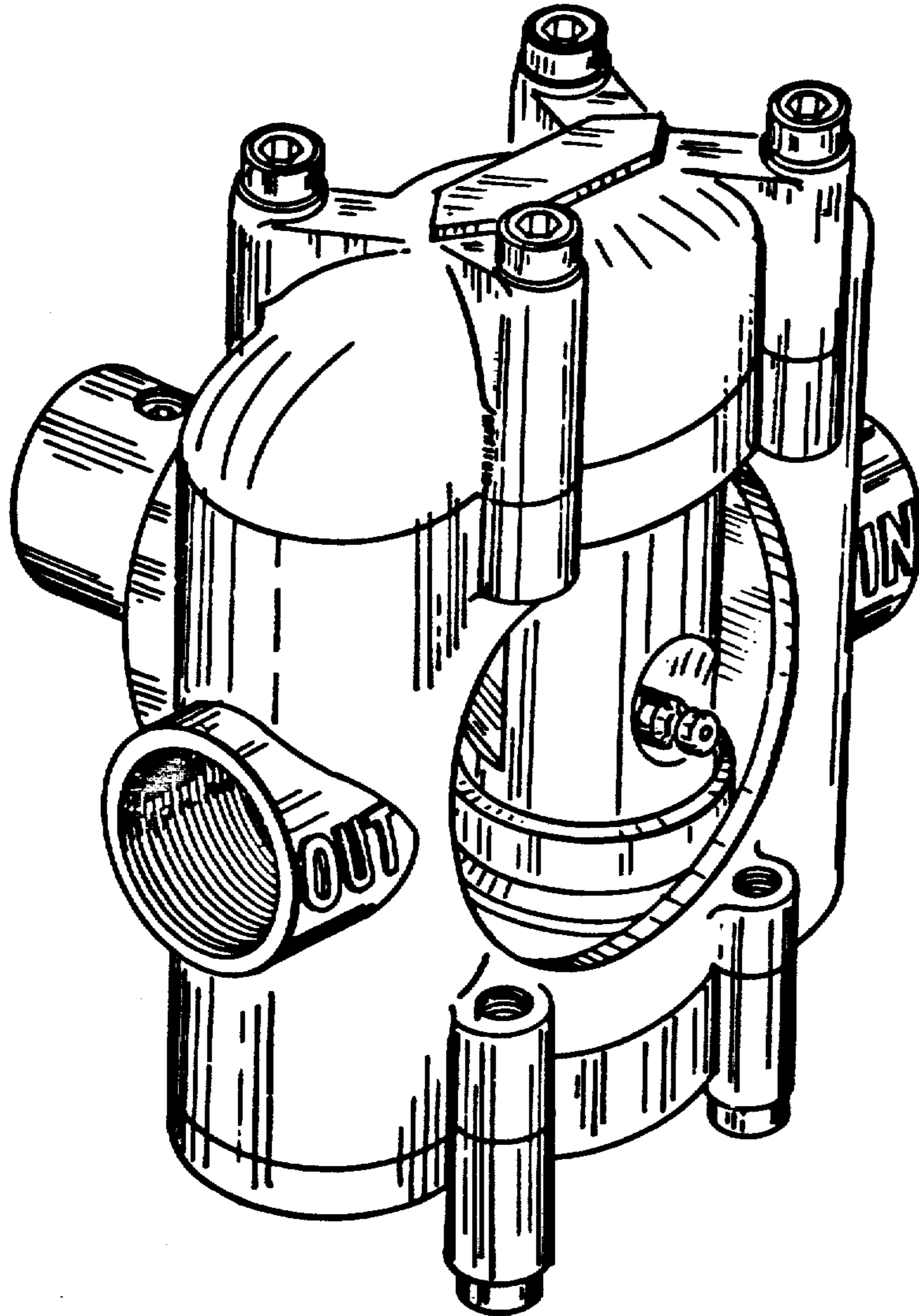
[57] CLAIM

The ornamental design for a pump, as shown and described.

DESCRIPTION

FIG. 1 is a front perspective view of a pump showing my new design;
 FIG. 2 is a rear elevational view thereof;
 FIG. 3 is an elevational view taken from one end thereof, the opposite end being a mirror image of the end shown;
 FIG. 4 is a top plan view thereof, the bottom being the same as the top shown;
 FIG. 5 is a front elevational view thereof, and
 FIG. 6 is a rear perspective view thereof.

[56] References Cited
 U.S. PATENT DOCUMENTS
 2,771,037 11/1956 Johnston 417/536 X
 3,200,759 8/1965 Curioni 417/536 X
 3,216,355 11/1965 Wanner 417/536 X
 3,238,890 3/1966 Sadler et al. 92/171 X
 3,470,823 10/1969 Seeger 417/536



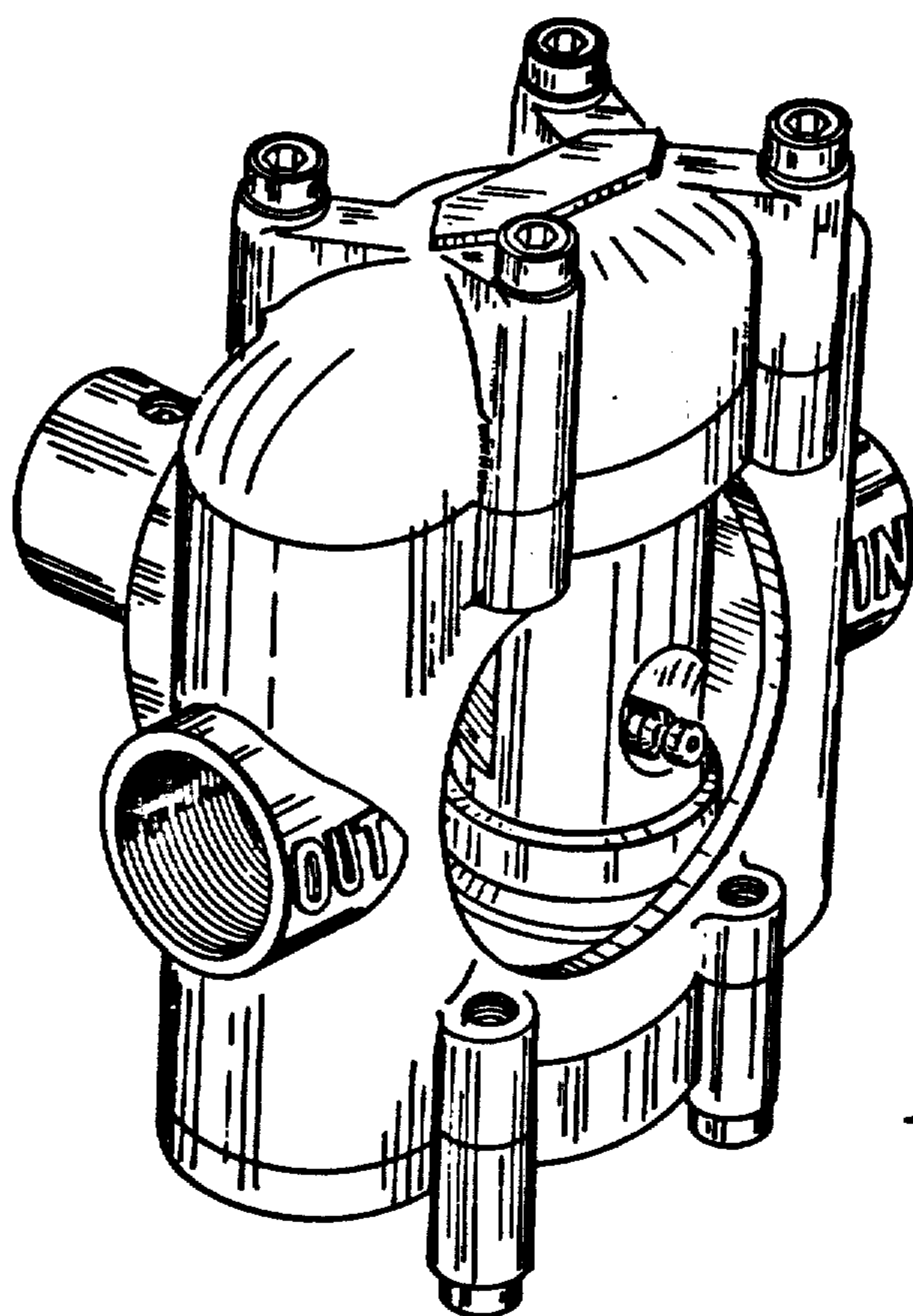


FIG. 1

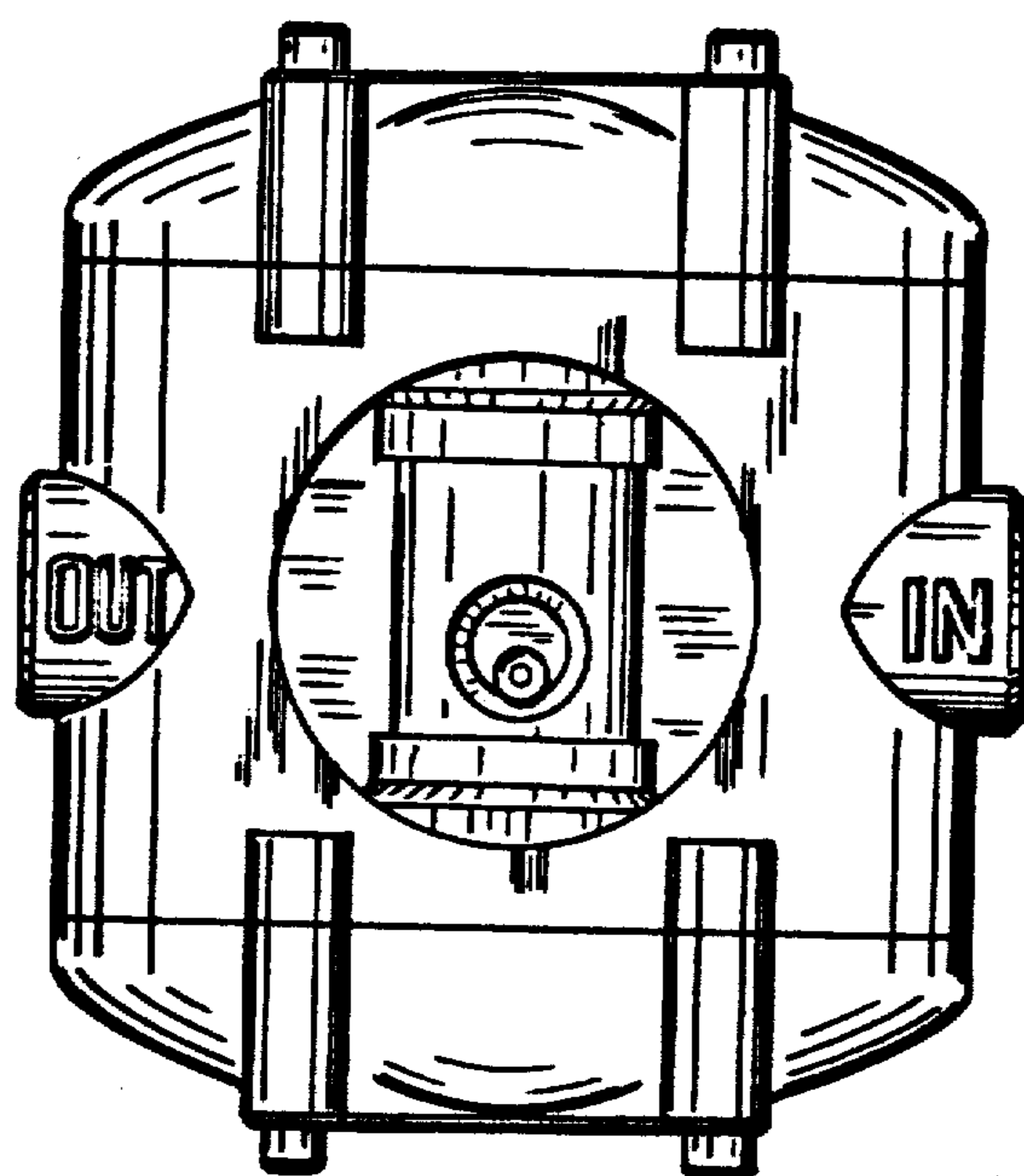


FIG. 5

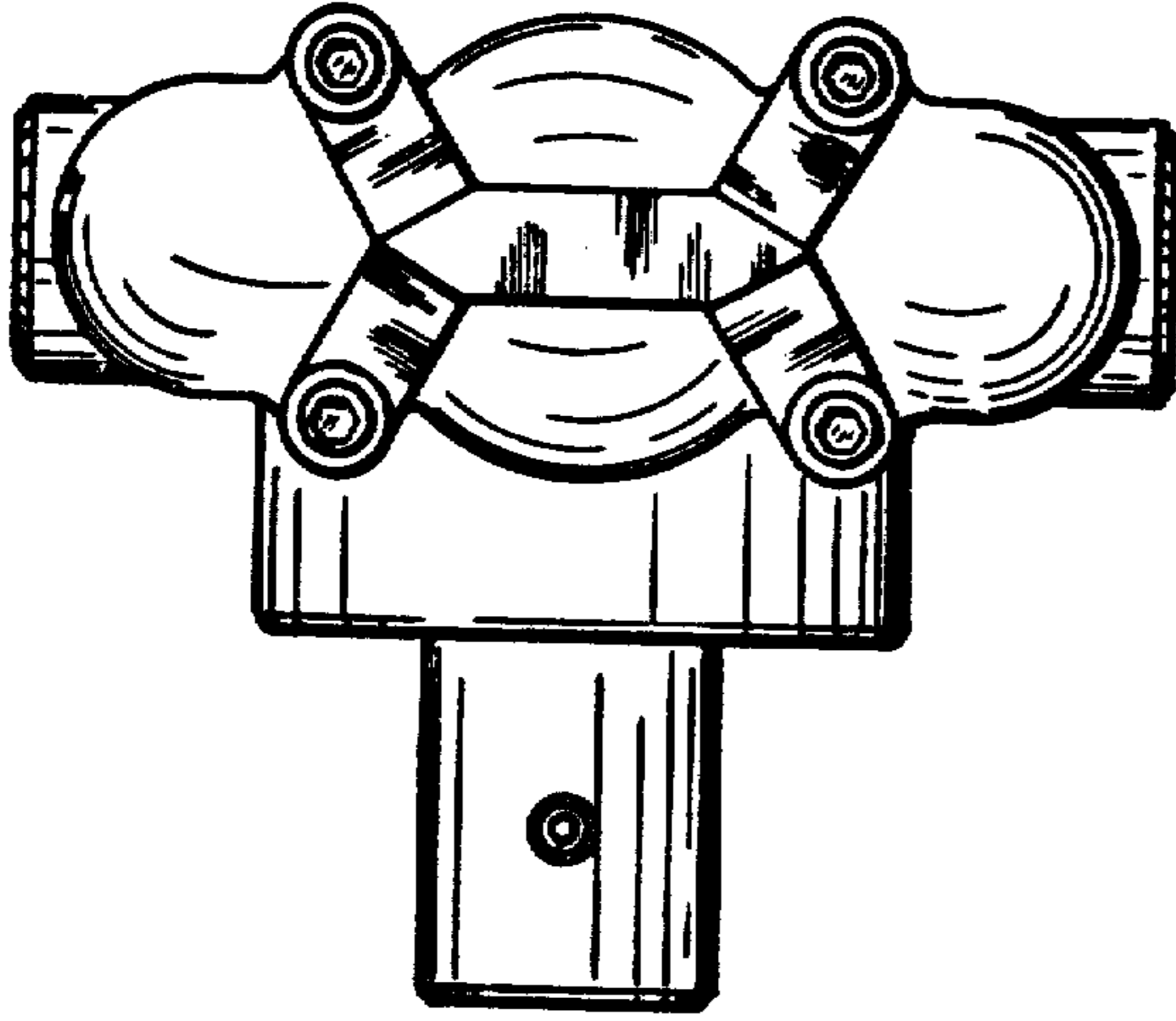


FIG. 4

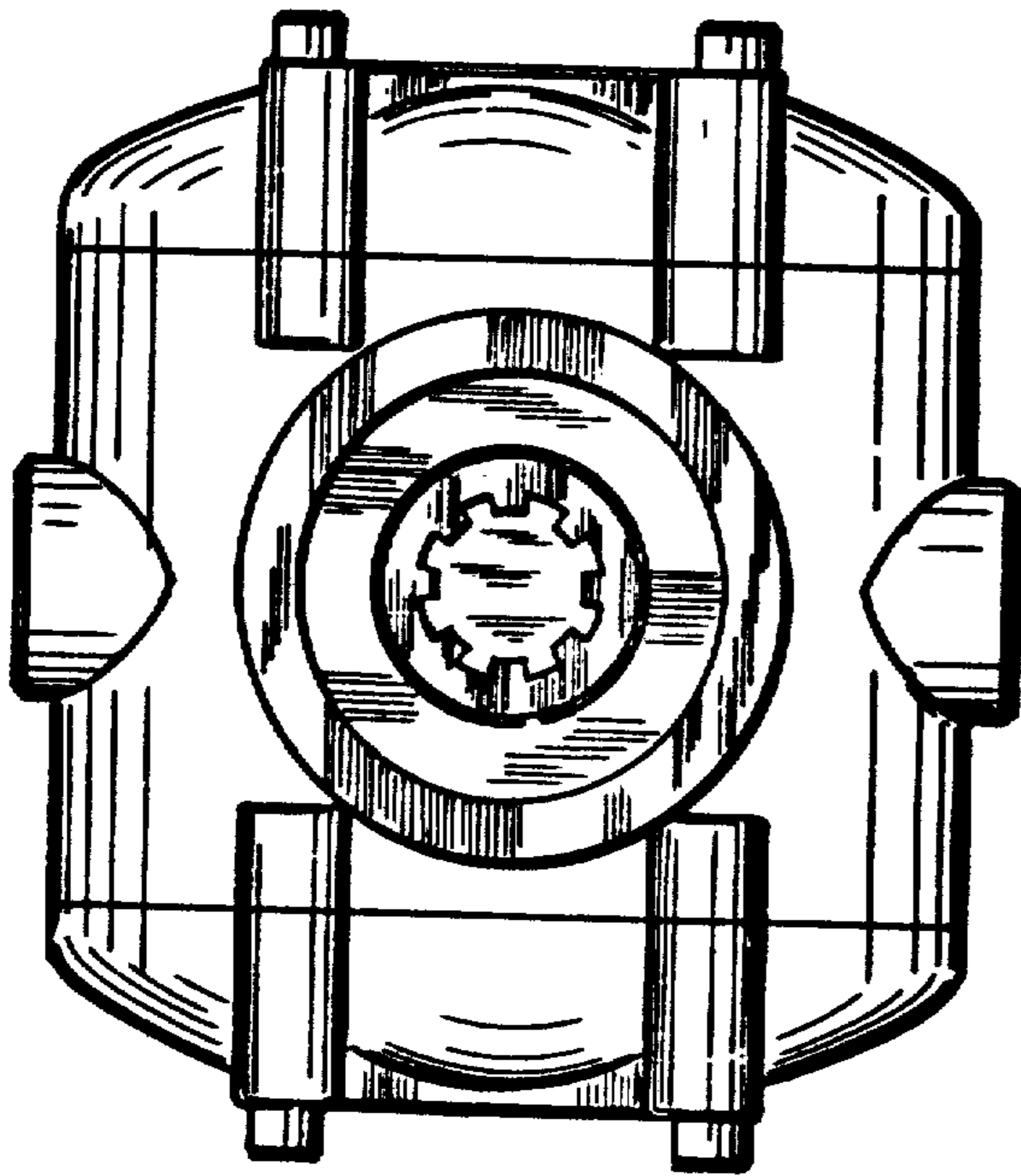


FIG. 2

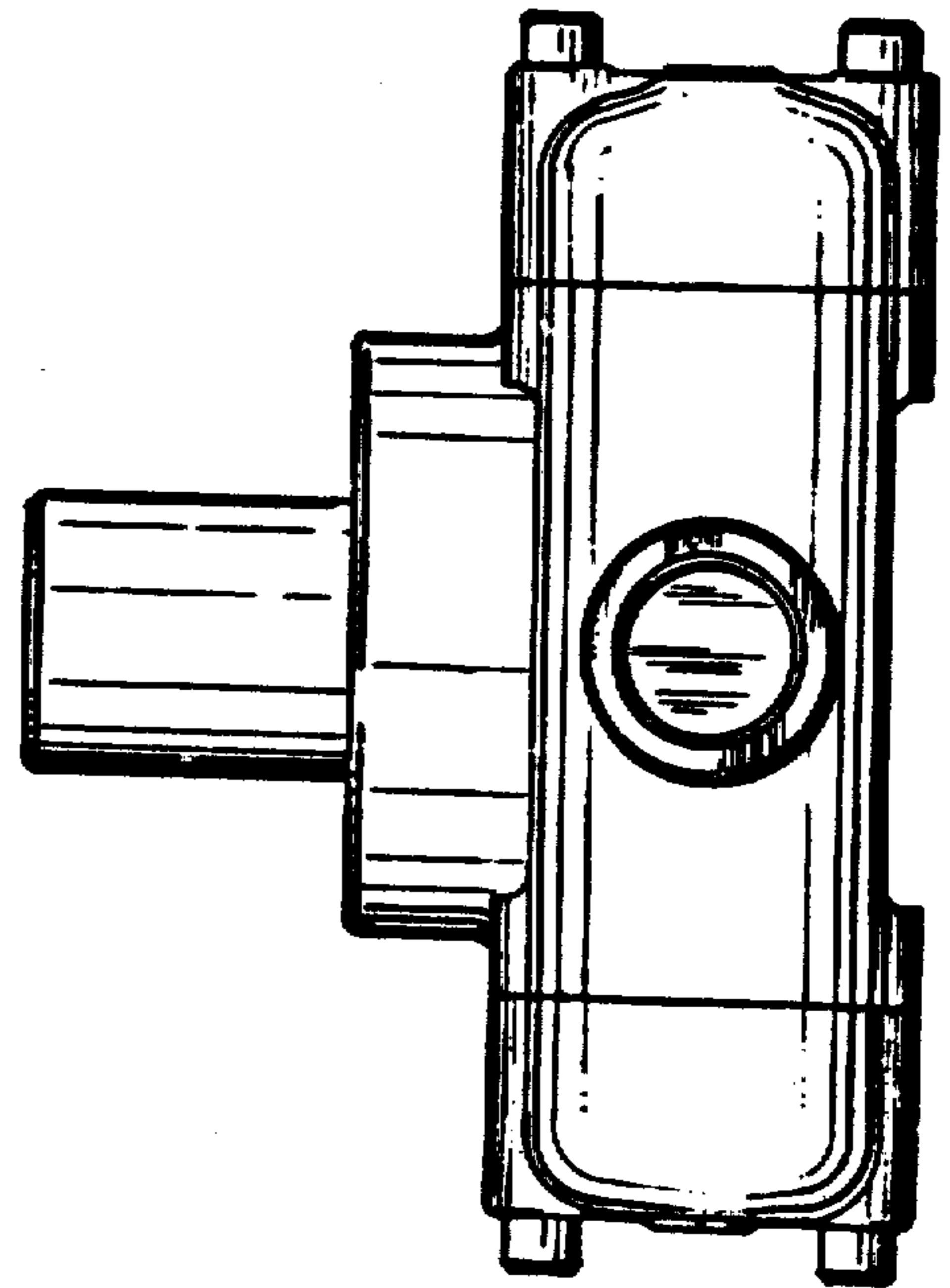


FIG. 3

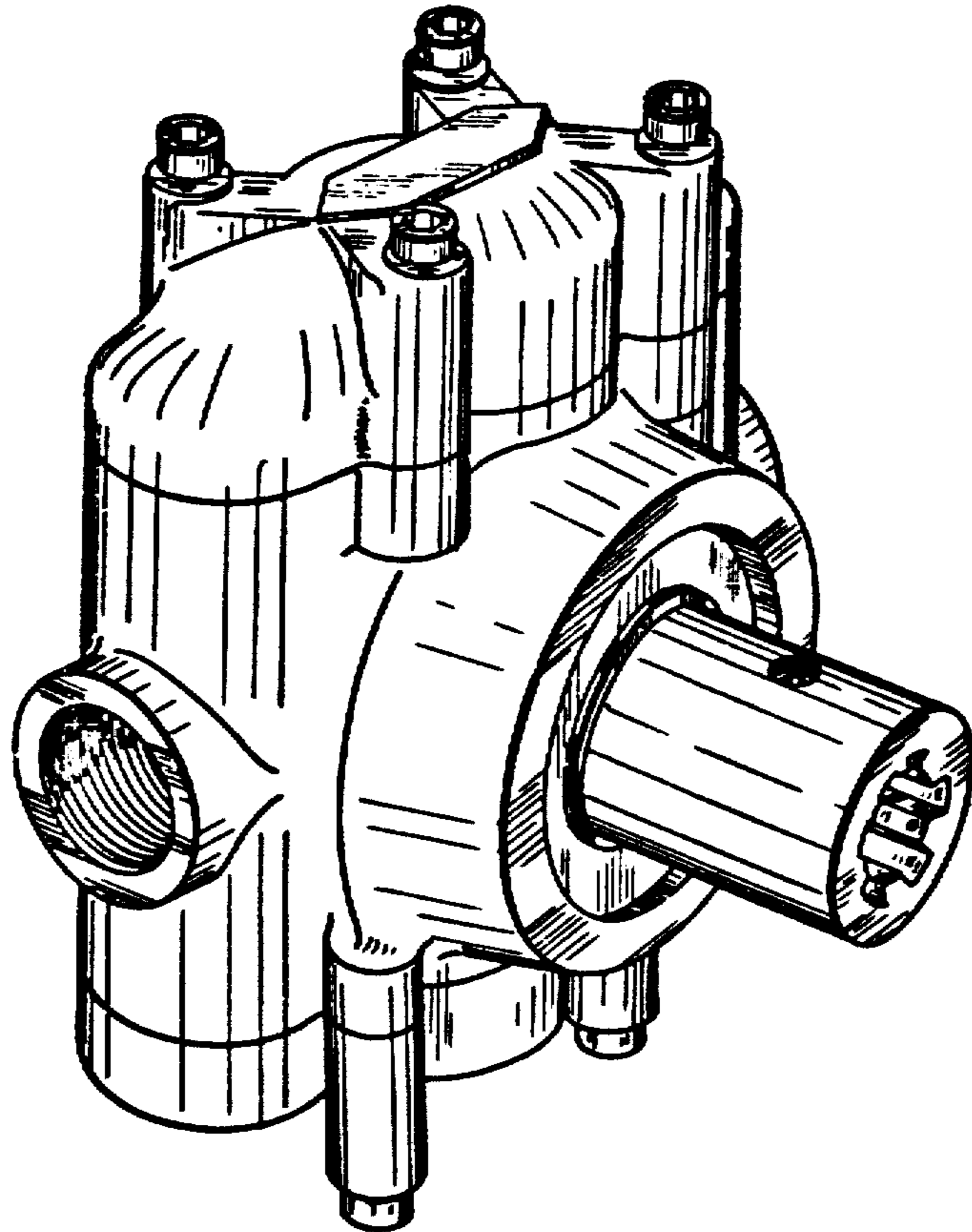


FIG. 6