

[54] **CARTRIDGE TYPE INK ROLL**
 [75] Inventor: **Yo Sato**, Tokyo, Japan
 [73] Assignee: **Kabushiki Kaisha Sato Kenkyusho**,
 Japan
 [**] Term: **14 Years**
 [21] Appl. No.: **535,212**
 [22] Filed: **Dec. 23, 1974**
 [51] Int. Cl. **D18-99**
 [52] U.S. Cl. **D64/11 R**
 [58] Field of Search **D64/11 R, 10, 18;**
 101/160-161, 164-165, 195, 199, 203-209,
 213, 290, 293-295, 300-305, 307-315,
 318-321, 323-326, 329-331, 337, 348-350;
D6/97

[56] **References Cited**
U.S. PATENT DOCUMENTS
 8,475 10/1851 Weaver 101/208
 3,905,295 9/1975 Bielesch et al. 101/331

D. 136,534 10/1943 Phillips D19/84 X

OTHER PUBLICATIONS

Anchor Plastics Design Guide 2nd Edition, No. AP-6-4-RM © 1960, p. 16, "c" molding No. 17c. 15 near center.

Primary Examiner—Melvin B. Feifer
Assistant Examiner—Louis S. Zarfes
Attorney, Agent, or Firm—Robert E. Burns

[57] **CLAIM**

The ornamental design for a cartridge type ink roll, substantially as shown and described.

DESCRIPTION

FIG. 1 is a perspective view of a cartridge type ink roll showing my new design;
 FIG. 2 is a front elevational view thereof;
 FIG. 3 is a side elevational view thereof;
 FIG. 4 is a top plan view thereof; and
 FIG. 5 is a bottom plan view thereof.

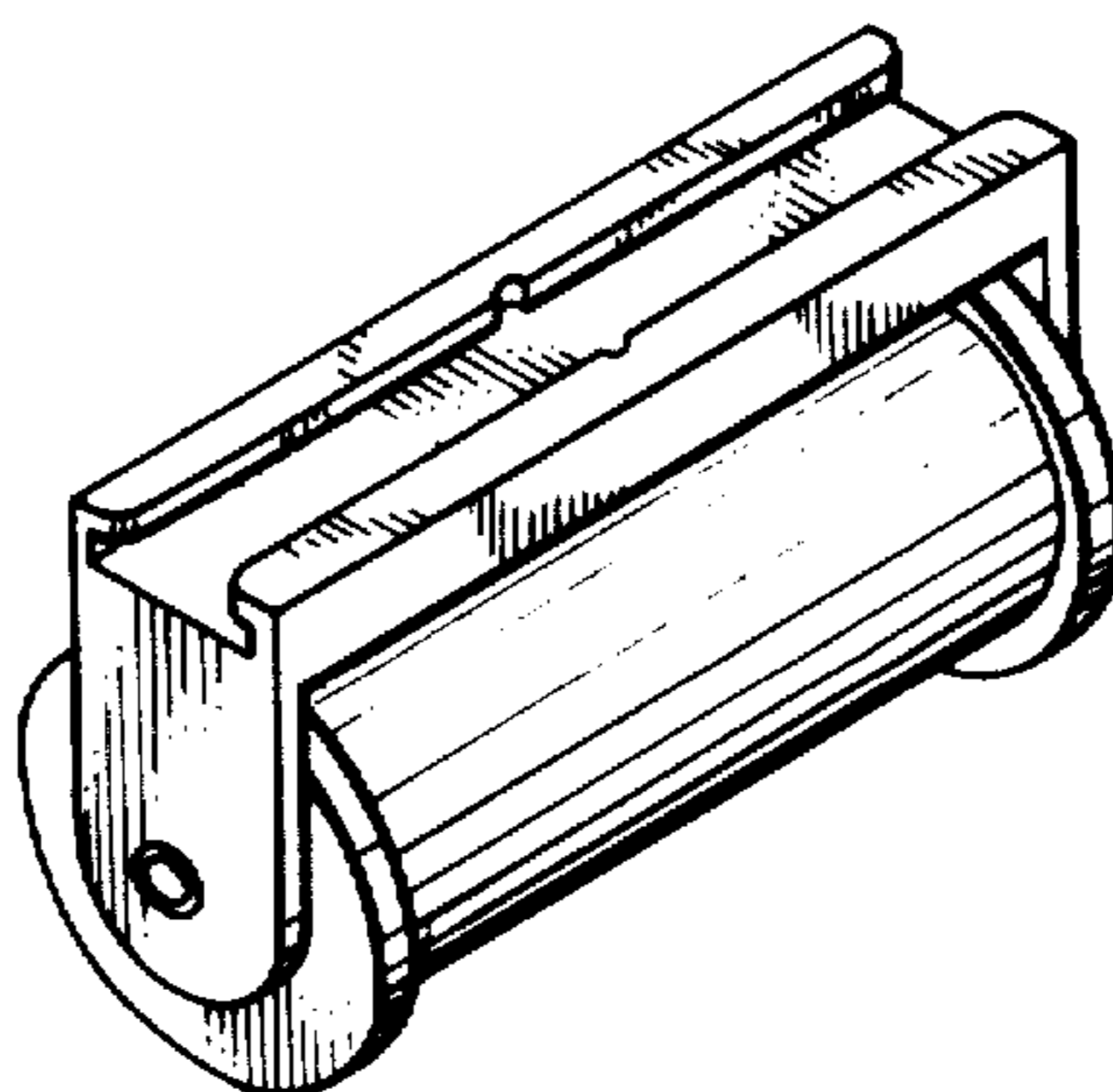


FIG. 2

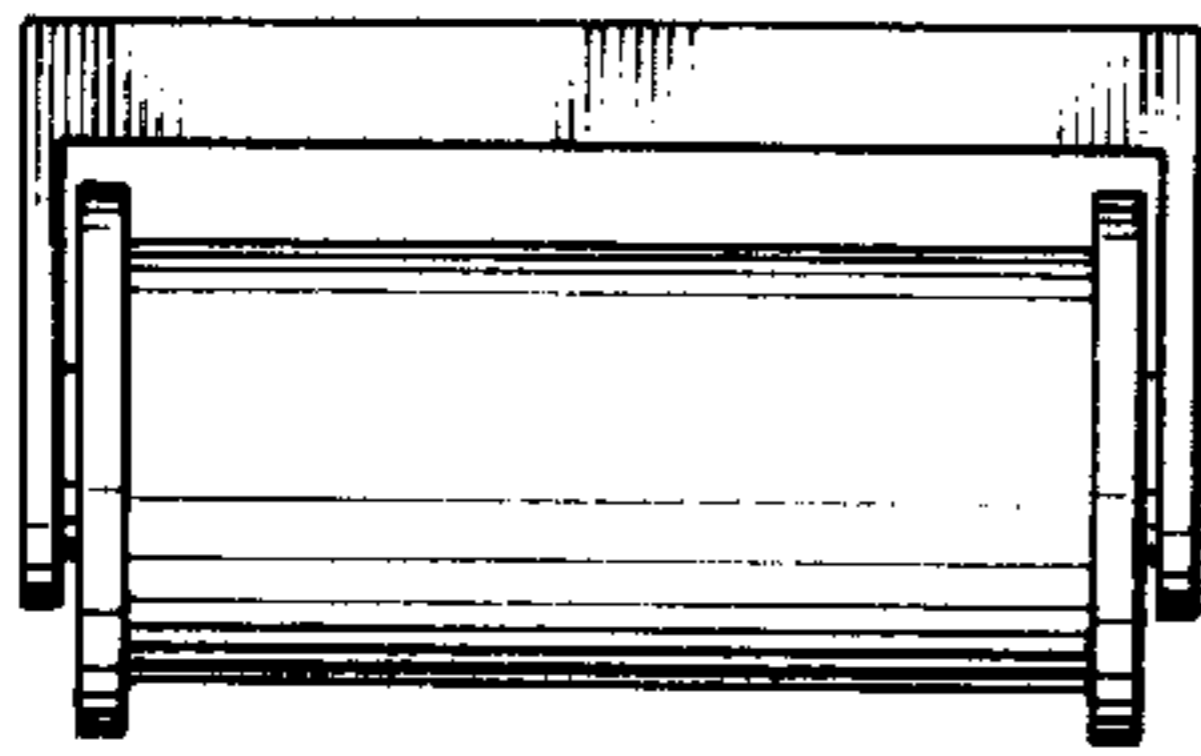


FIG. 3

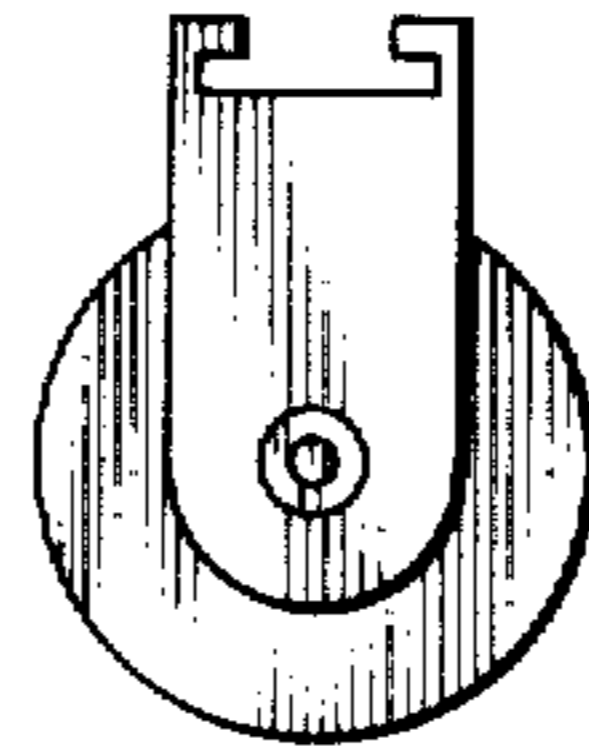


FIG. 4

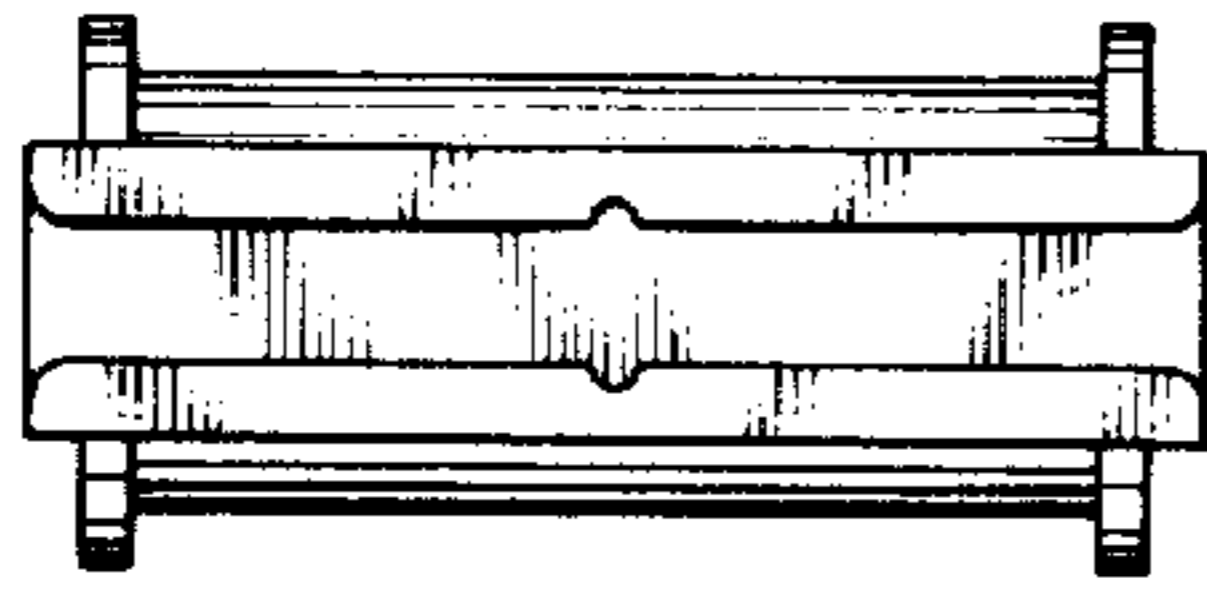


FIG. 5

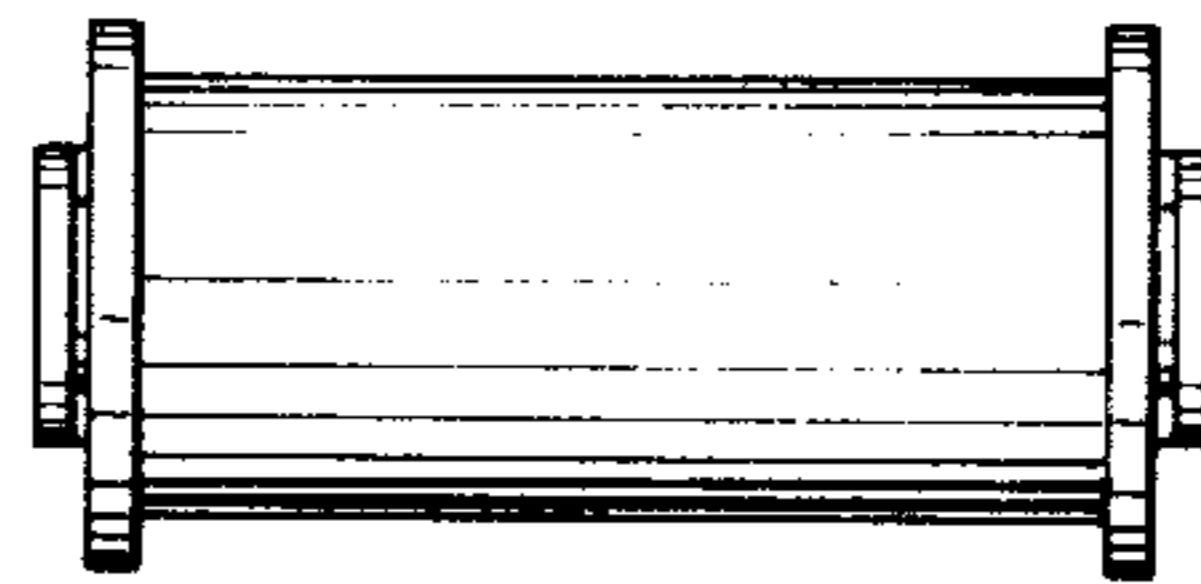


FIG. 1

