

[54] TOY MEDICAL UNIT

[75] Inventors: Robert E. Cordrey; Donald E. England; George P. Giordano; Alan E. Hoeweler, all of Cincinnati, Ohio; John F. Mayer, Fort Thomas, Ky.

[73] Assignee: General Mills Fun Group, Inc., Minneapolis, Minn.

[**] Term: 14 Years

[21] Appl. No.: 580,089

[22] Filed: May 22, 1975

[51] Int. Cl. D21-01

[52] U.S. Cl. D34/15 R

[58] Field of Search D34/15 R, 15 HS, 15 HR, D34/15 AC; 46/1 R; 272/1 R; D83/1 F, 1 R; D6/14

[56] References Cited

U.S. PATENT DOCUMENTS

1,618,493 2/1927 Thiele D6/14

OTHER PUBLICATIONS

Galoob Co. 1970 Catalog, p. 4, "B/O Space Captain" Item No. 7534.

Toys and Novelties, 3-1962, p. 340, "Astronaut Pencil Case,".

Primary Examiner—Joel Stearman

Assistant Examiner—C. A. Rademaker

Attorney, Agent, or Firm—Gene O. Enockson

[57] CLAIM

The ornamental design for a toy medical unit, substantially as shown.

DESCRIPTION

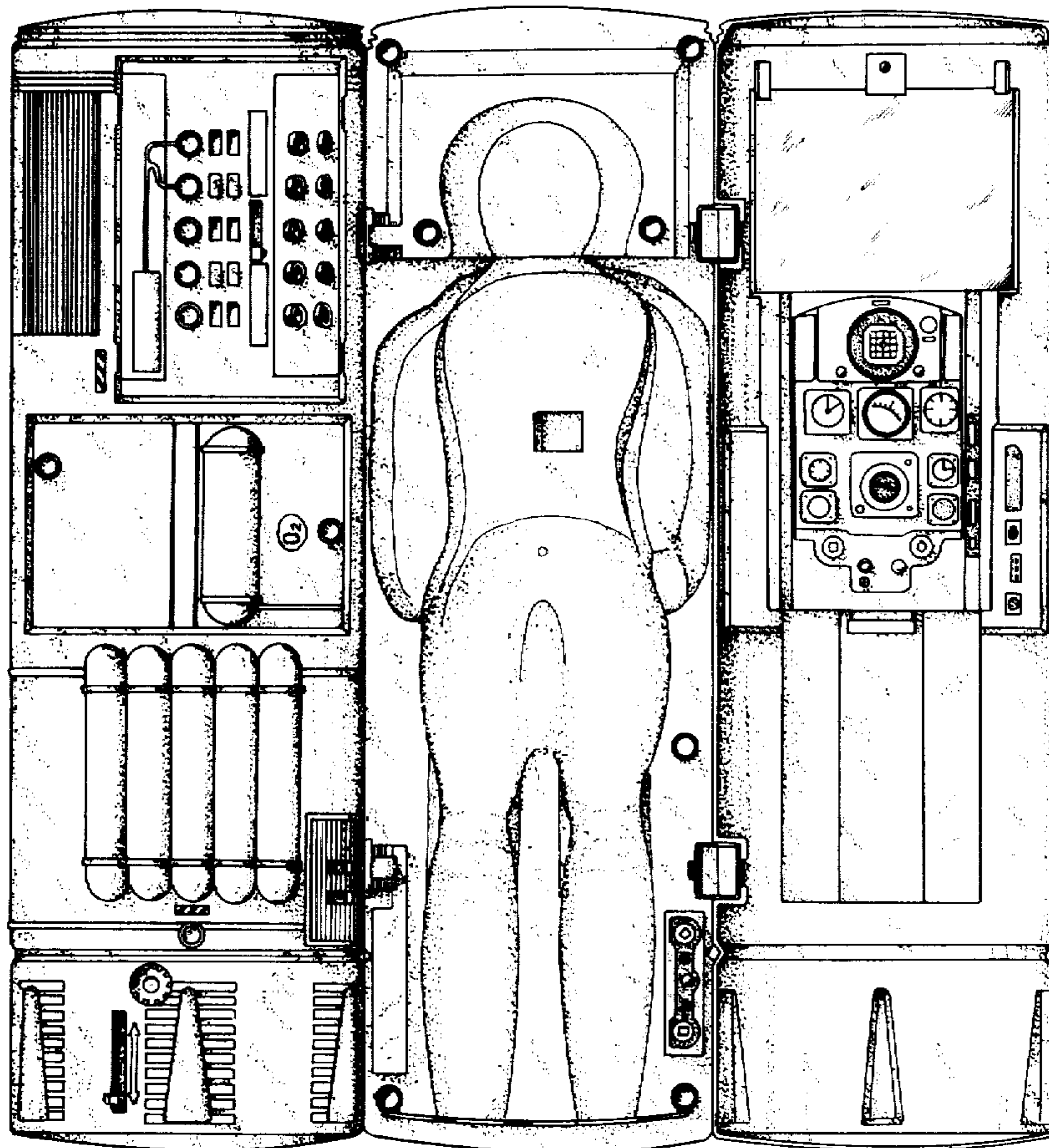
FIG. 1 is a top plan view of a toy medical unit illustrating our new design;

FIG. 2 is a front elevational view thereof;

FIG. 3 is a right side elevational view thereof;

FIG. 4 is a rear elevational view thereof; and

FIG. 5 is a left side elevational view thereof.



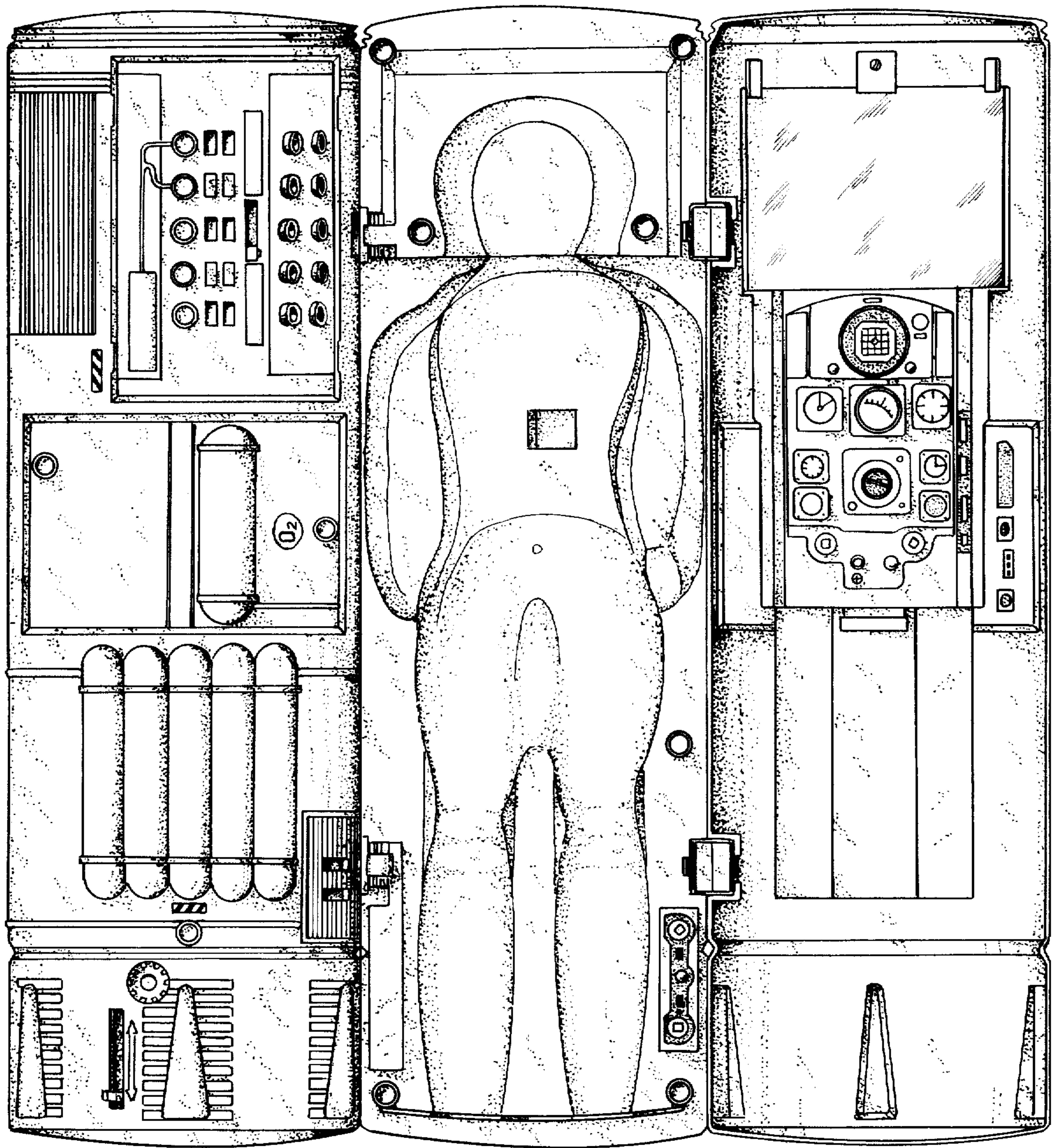


Fig 1

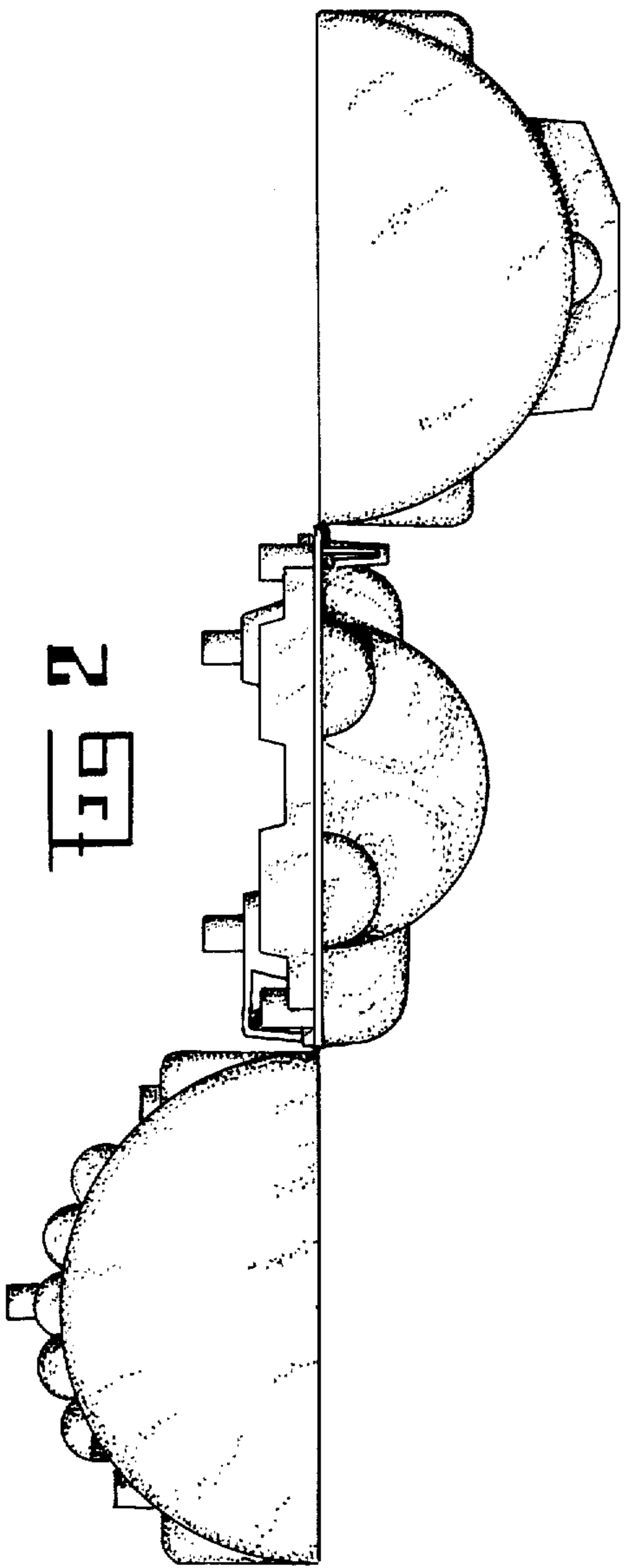
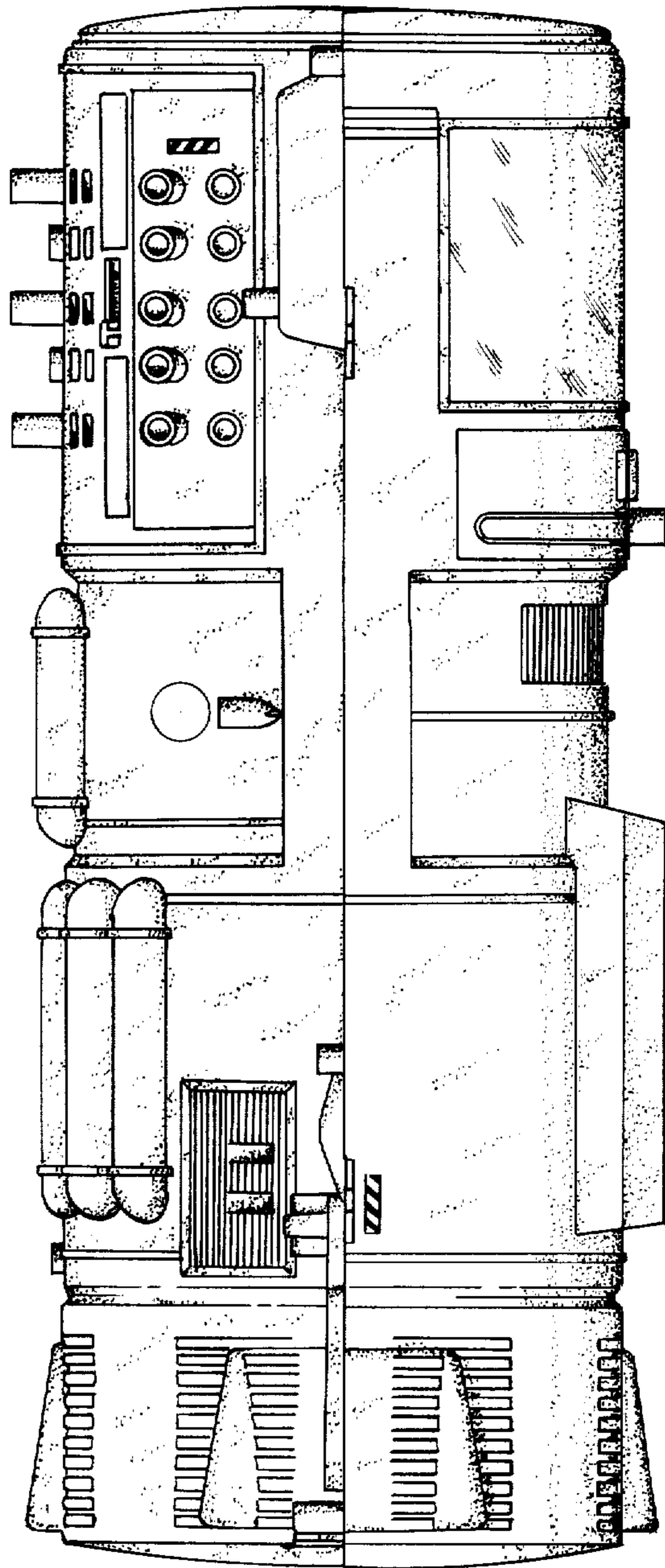


FIG 2

FIG 3



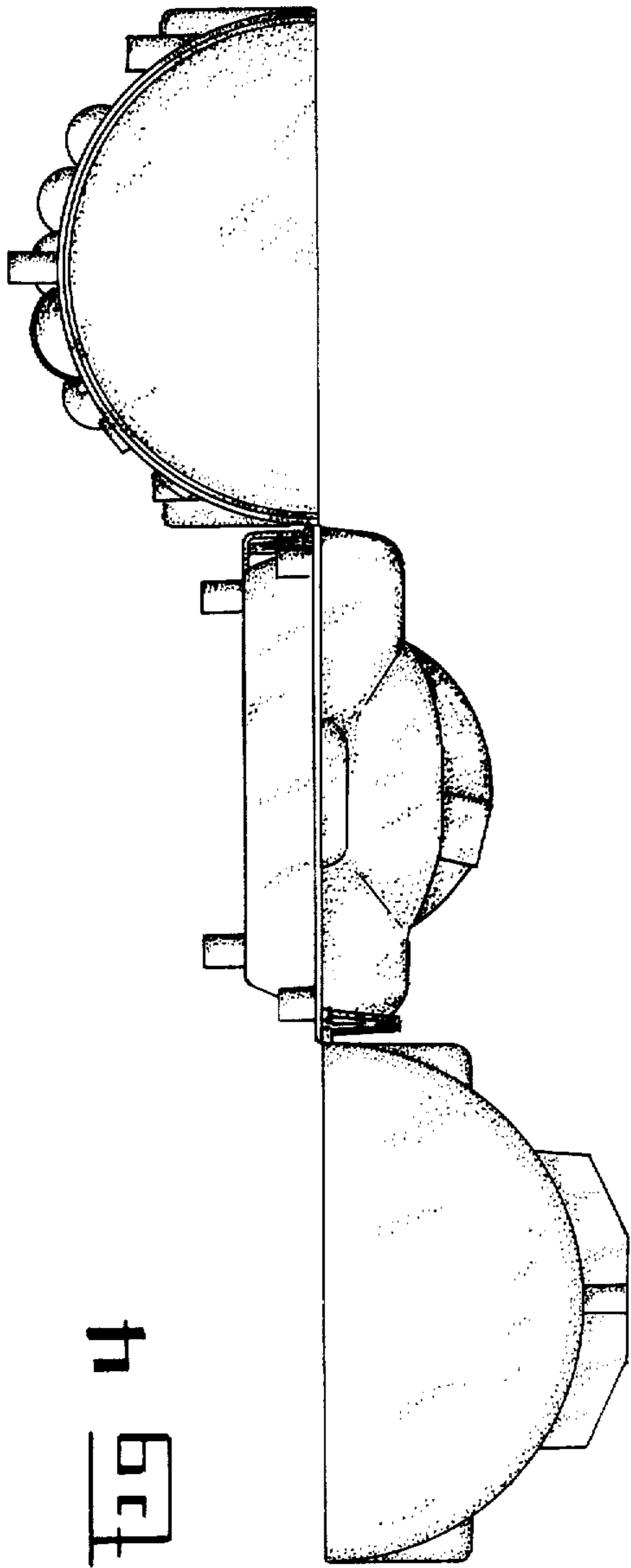


Fig. 4

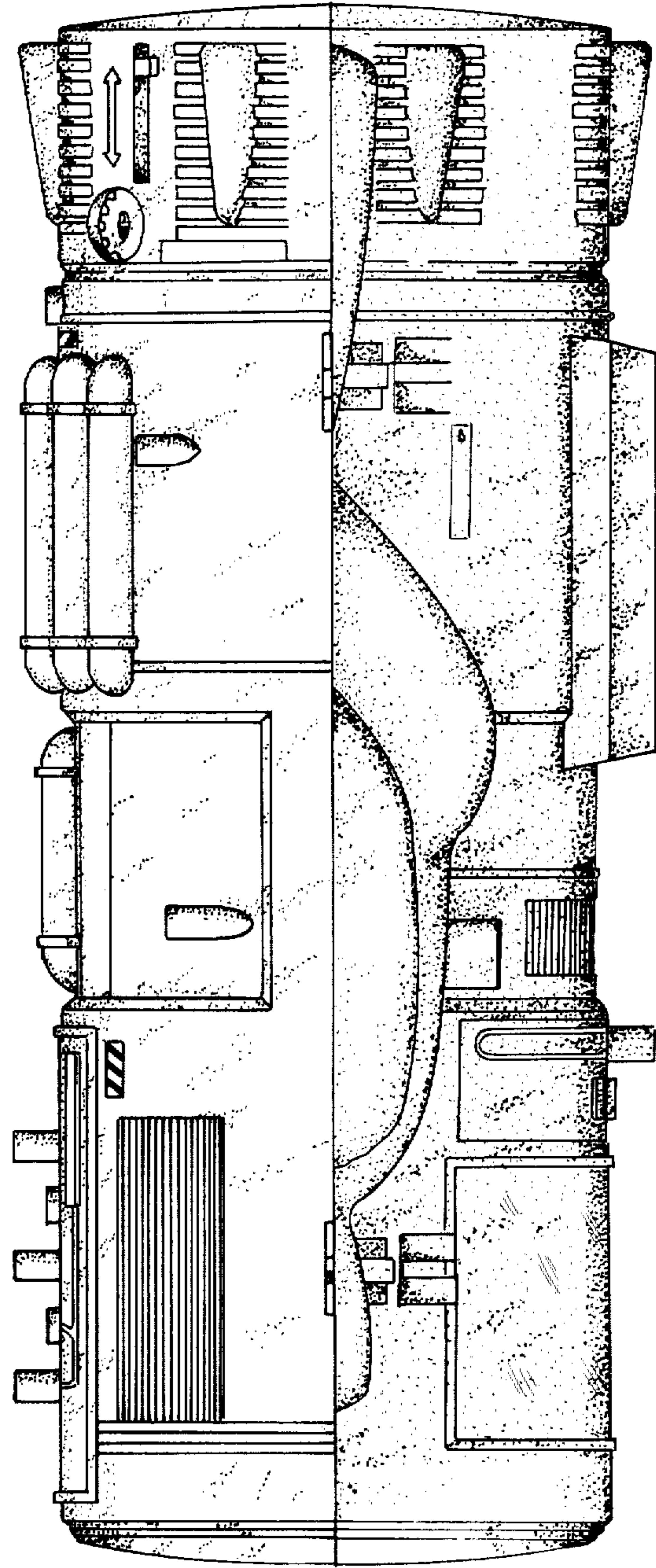


Fig. 5