

[54] **PUTTING TARGET UNIT FOR A GOLF GAME APPARATUS**

[76] Inventor: **Frederick T. Lewis**, 1141 Lighthouse Ave., Pacific Grove, Calif. 93950

[\*\*] Term: **14 Years**

[21] Appl. No.: **551,518**

[22] Filed: **Feb. 21, 1975**

[51] Int. Cl. .... **D21-01**

[52] U.S. Cl. .... **D34/5 NN**

[58] Field of Search ..... **D34/5 NN; 273/176 F, 273/176 G, 176 PA, 176 B**

[56] **References Cited**

**U.S. PATENT DOCUMENTS**

1,856,816	5/1932	Luddy .....	D34/5 NN
1,892,593	12/1932	Stiles .....	273/176 F
2,539,046	1/1951	Wright .....	273/176 F

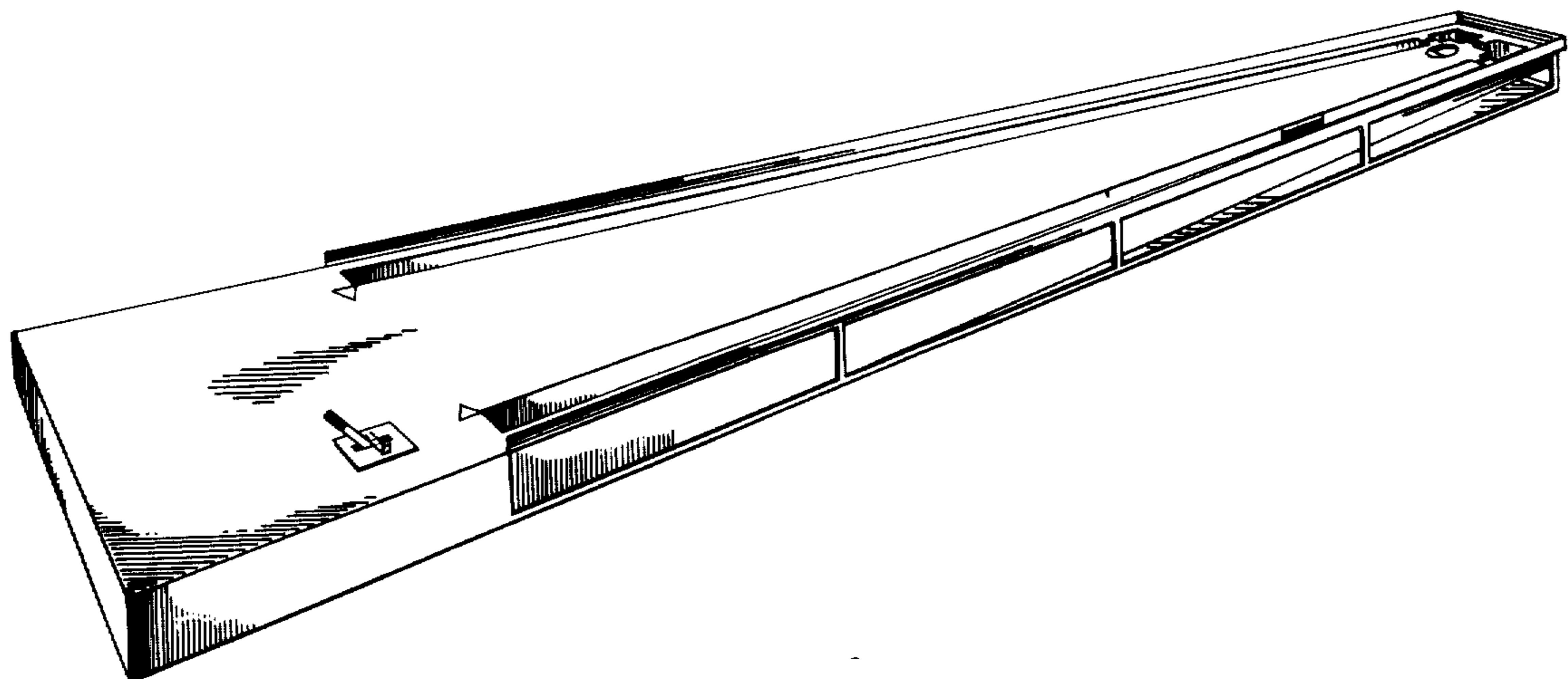
*Primary Examiner*—Melvin B. Feifer  
*Attorney, Agent, or Firm*—Van W. Smart

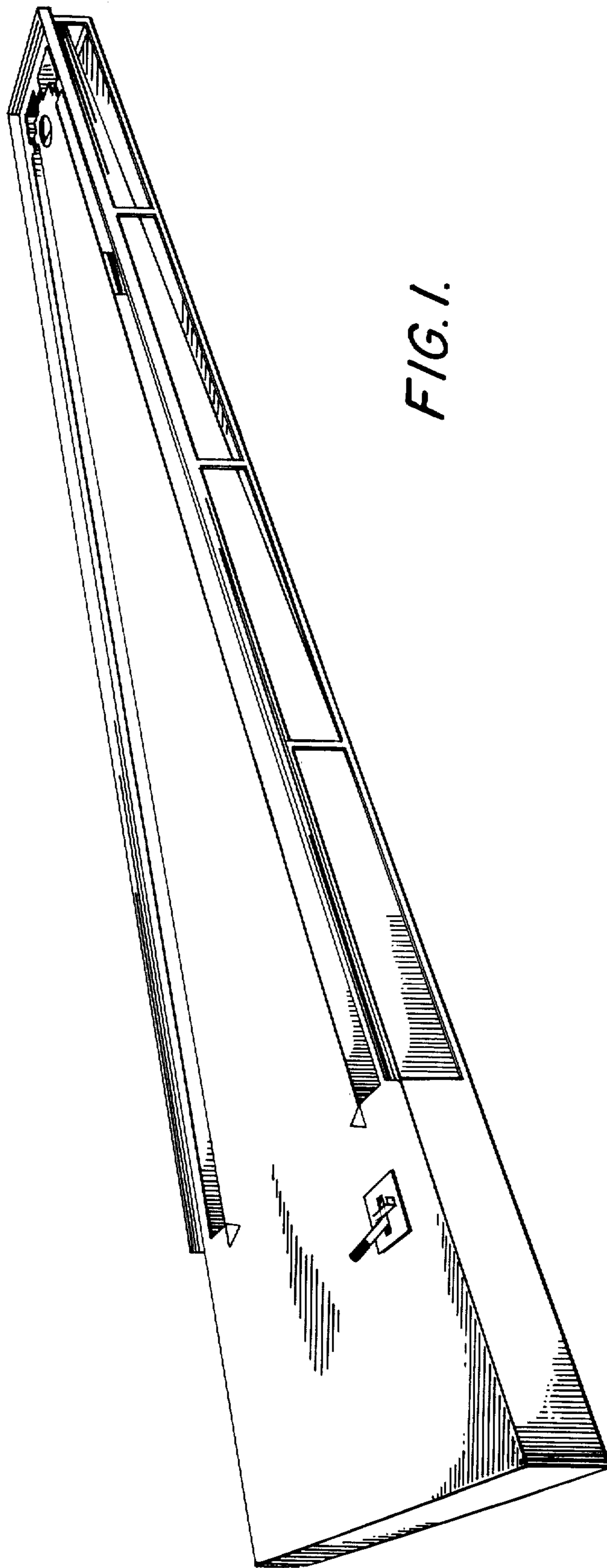
[57] **CLAIM**

The ornamental design for a putting target unit for a golf game apparatus, as shown and described.

**DESCRIPTION**

FIG. 1 is a perspective view of a putting target unit for a golf game apparatus showing my new design; FIG. 2 is a fragmentary perspective view of the left side of FIG. 1; FIG. 3 is a fragmentary perspective view of the right side of FIG. 1; FIG. 4 is a top plan view of FIG. 1 shaded for color contrast, it being understood said shading is not seen in the other figures for convenience of illustration; FIG. 5 is a side elevational view of FIG. 1, the side not shown being the same as that shown. The right end of FIG. 5 is plain and unornamented.





*FIG. 1.*

FIG. 3.

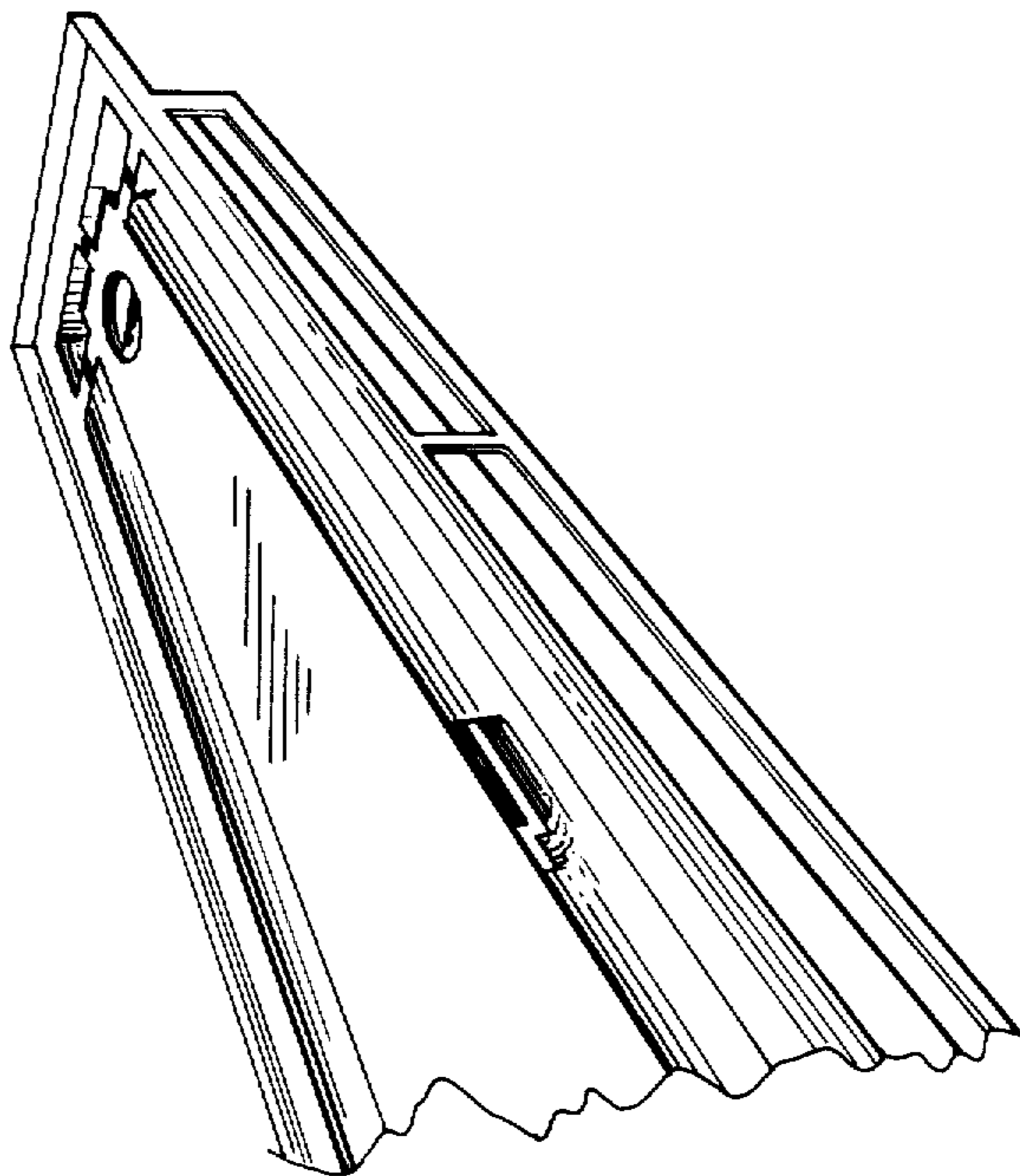
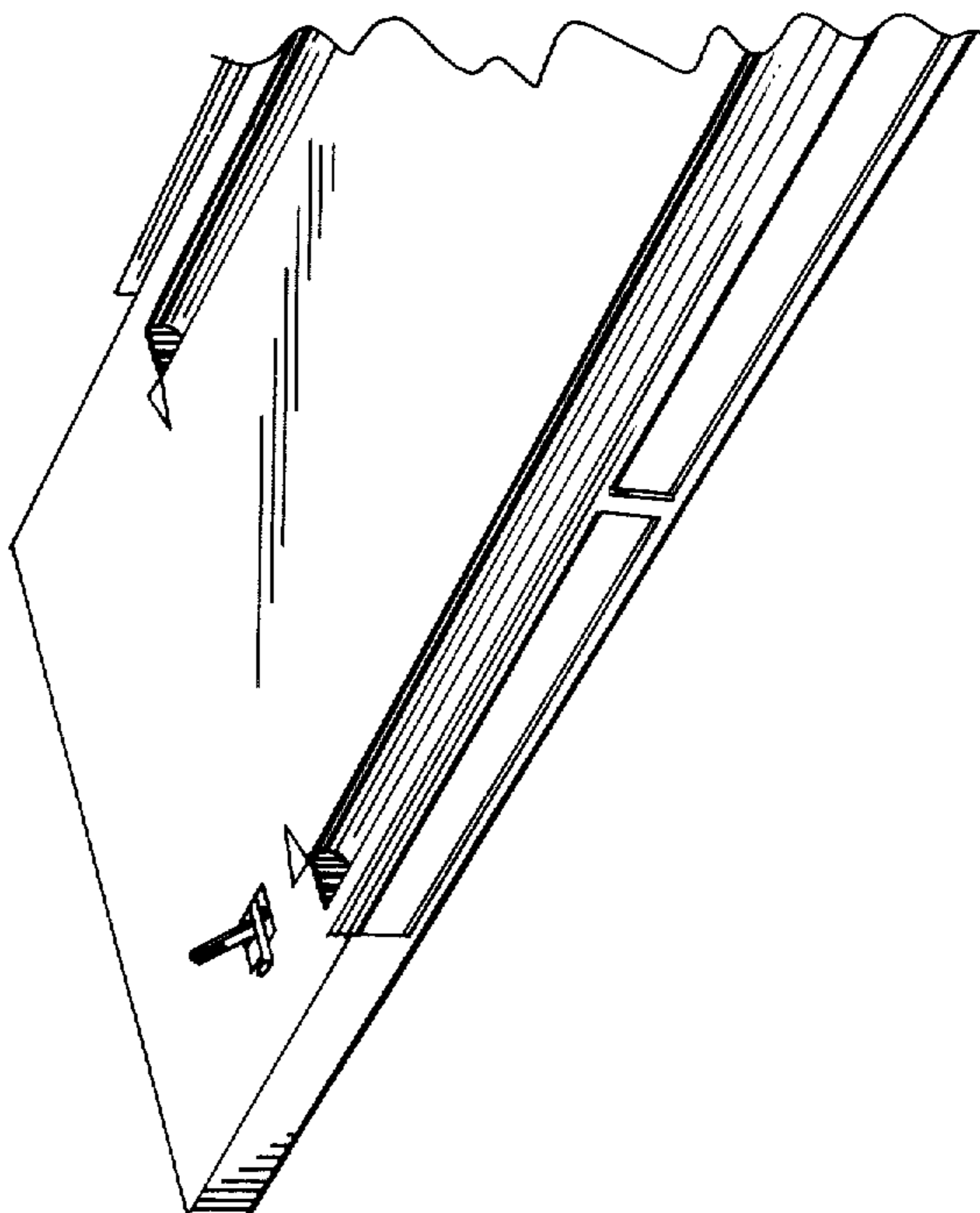


FIG. 2.



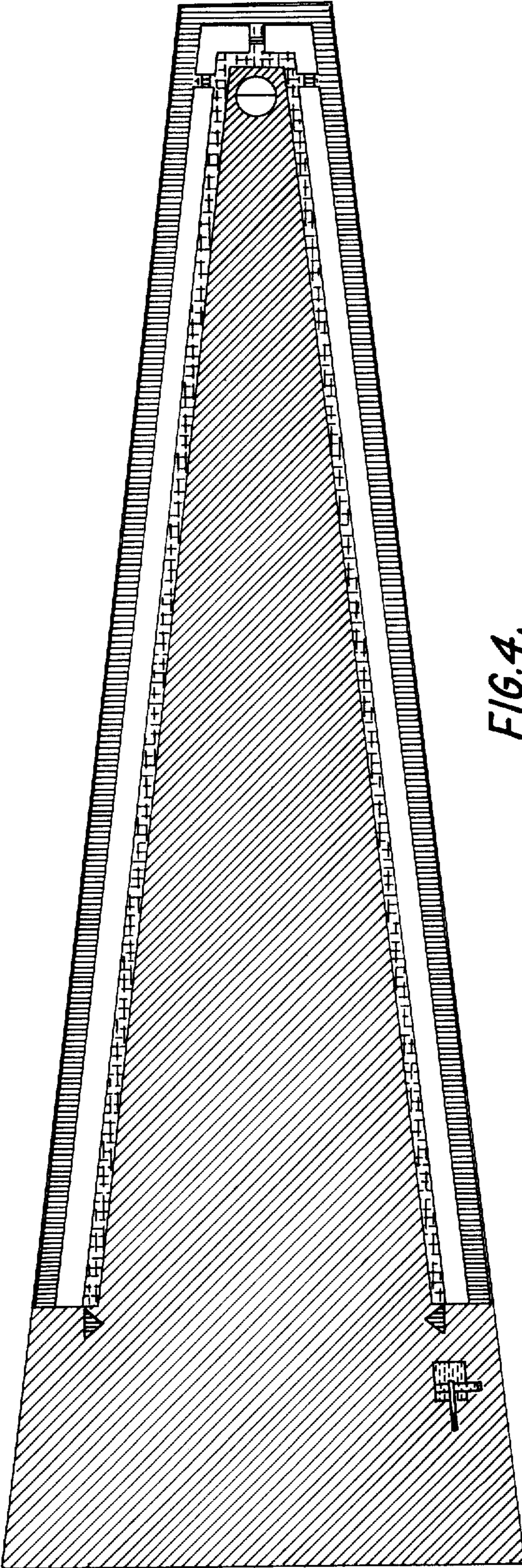


FIG. 4.

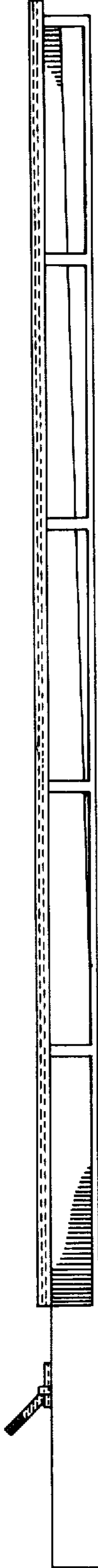


FIG. 5.