

[54] MORTAR AND PESTLE COVER

[76] Inventor: Arthur J. Gregory, 17931 S. Dixie Hwy., Miami, Fla. 33157

[**] Term: 14 Years

[21] Appl. No.: 567,313

[22] Filed: Apr. 11, 1975

[51] Int. CL D24-02

[52] U.S. CL D24/23

[58] Field of Search D32/1 R; 241/291, DIG. 27, 241/199, 199.1, 199.7, 199.9; D9/171, 172, 207, 254, 267, 239

[56] References Cited

U.S. PATENT DOCUMENTS

745,416	12/1903	Breakell	D32/1 R
1,878,263	9/1932	Chott	D32/1 R
2,161,998	6/1939	Chott	241/DIG. 27
2,602,596	7/1952	Jones et al.	241/DIG. 27
2,795,383	6/1957	Reich	241/199.9
D. 34,569	5/1901	Tatum	D9/239

D. 50,471	3/1917	Grier	D32/1 R
D. 198,453	6/1964	Weichselbaum	D32/1 R
D. 231,923	6/1974	Johnsrud et al.	D32/1

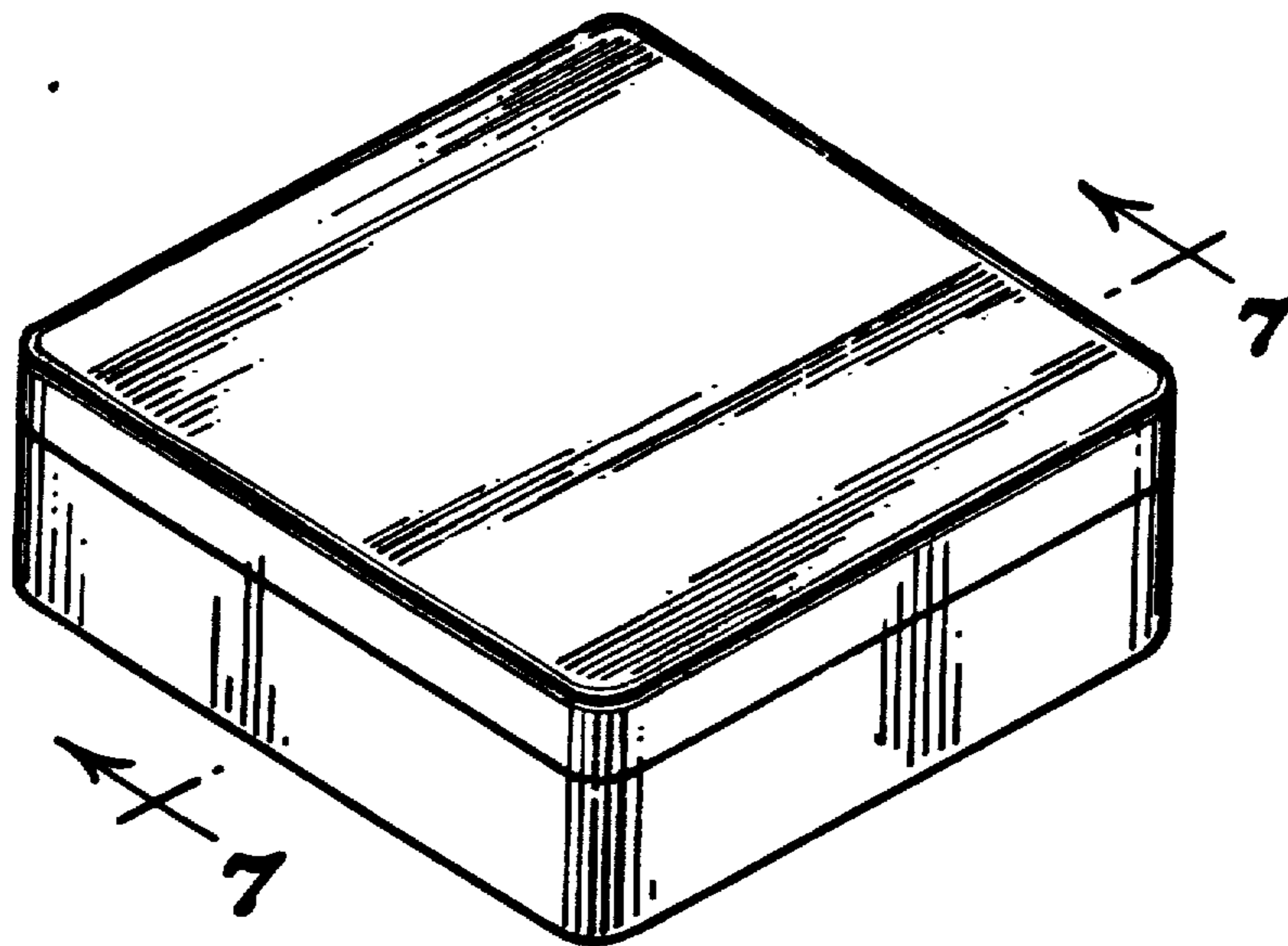
Primary Examiner—Wallace R. Burke
Assistant Examiner—Larry Jones
Attorney, Agent, or Firm—Eugene F. Malin

[57] CLAIM

The ornamental design for mortar and pestle cover, substantially as shown and described.

DESCRIPTION

FIG. 1 is an isometric view of the mortar and pestle cover;
FIG. 2 is a top view of the mortar;
FIG. 3 is a top view of the pestle cover;
FIG. 4 is a side view of the mortar and pestle cover identical to all other side views;
FIG. 5 is a bottom view of the mortar
FIG. 6 is a bottom view of the pestle cover, and
FIG. 7 is a cross-sectional view of FIG. 1 taken through lines 7—7 and looking in the direction of the arrows.



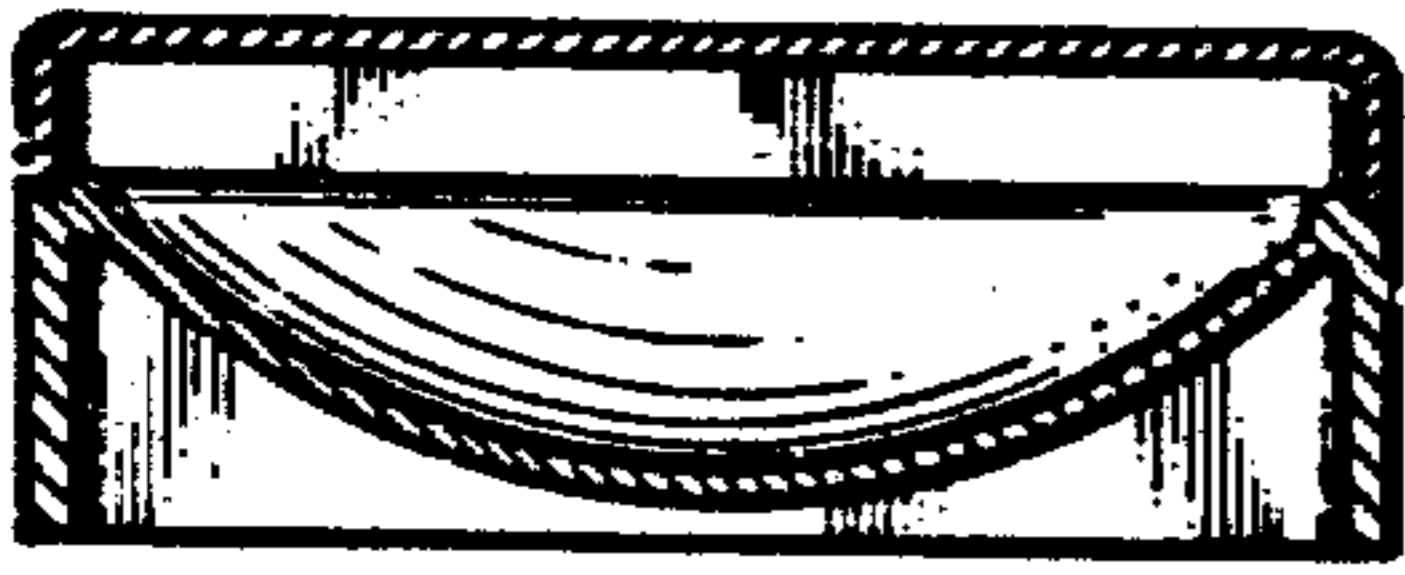


Fig. 7.

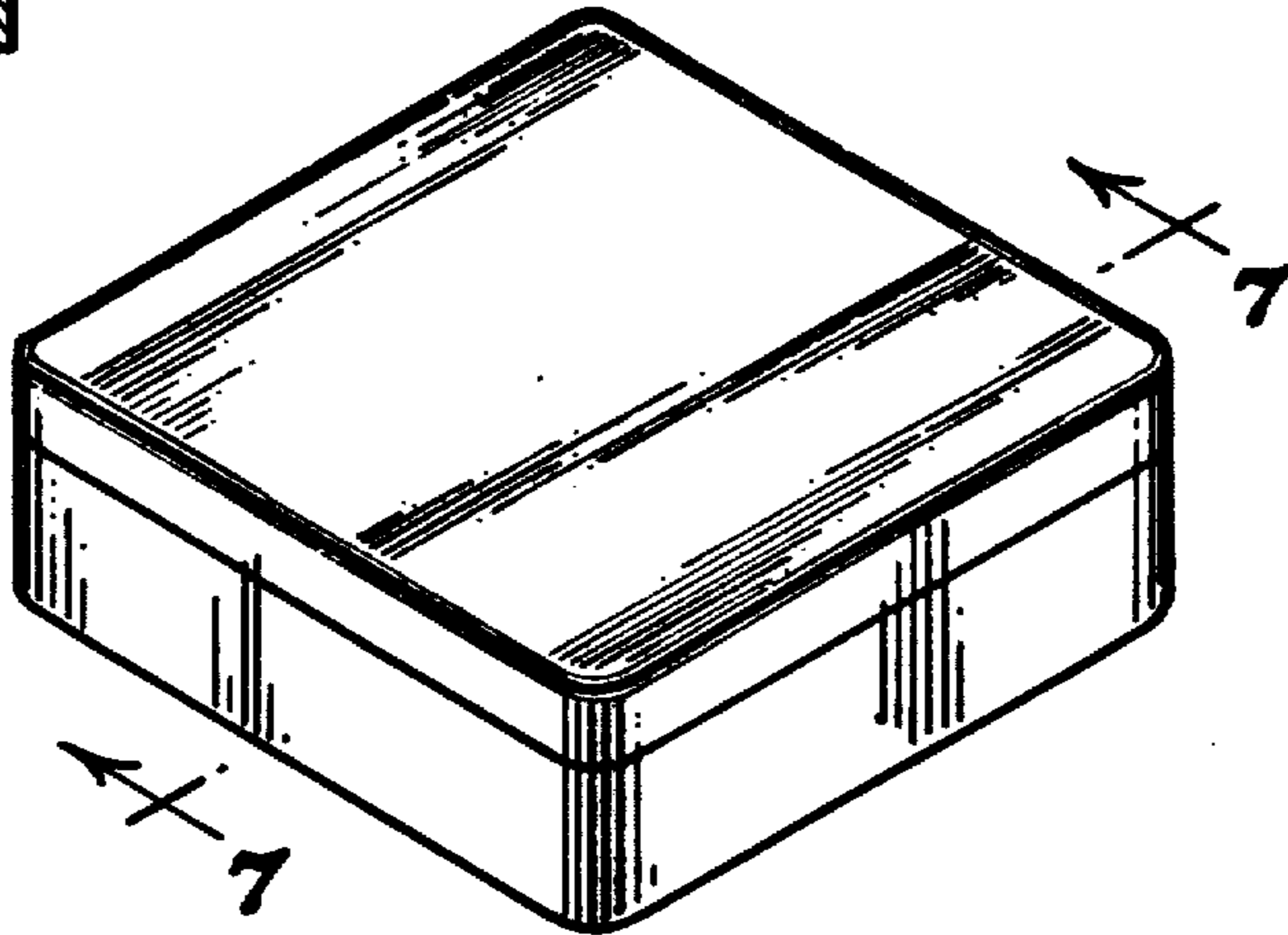


Fig. 1.

Fig. 4.

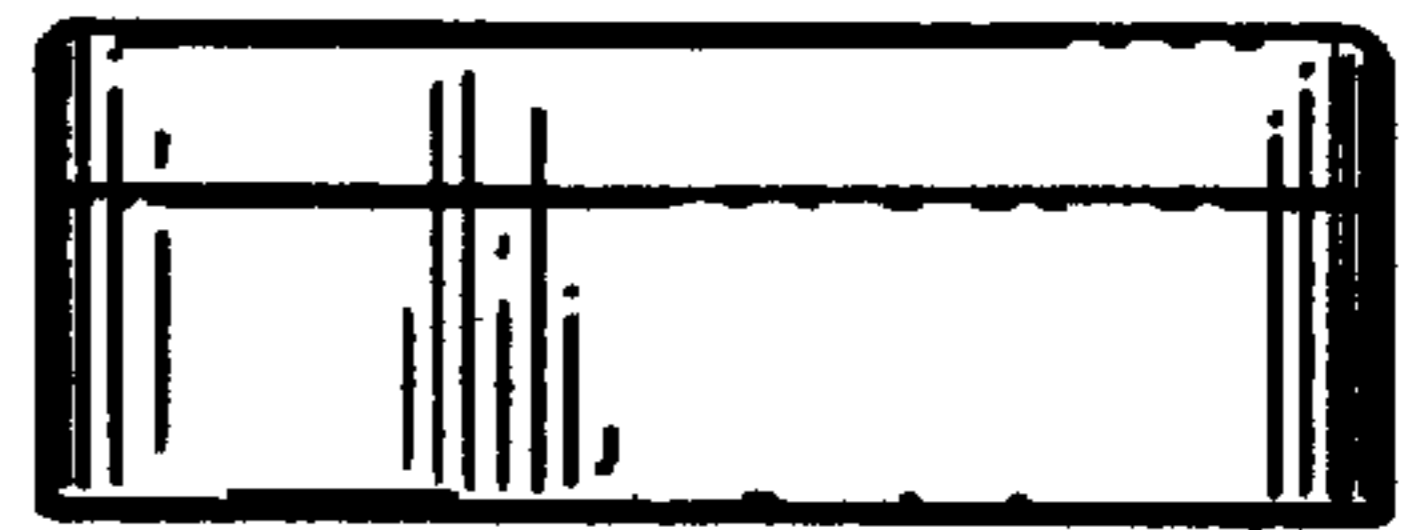


Fig. 5.

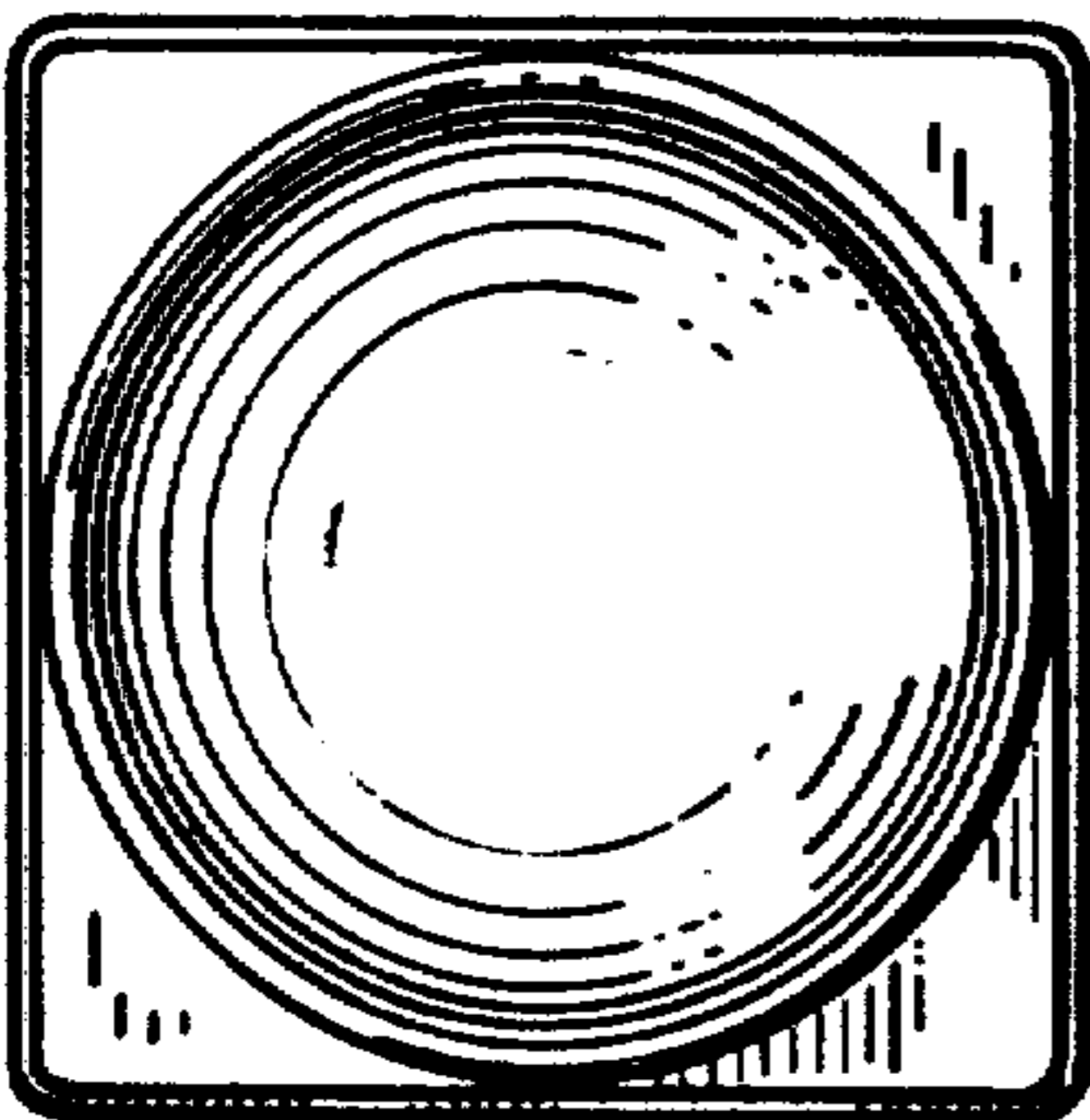


Fig. 2.

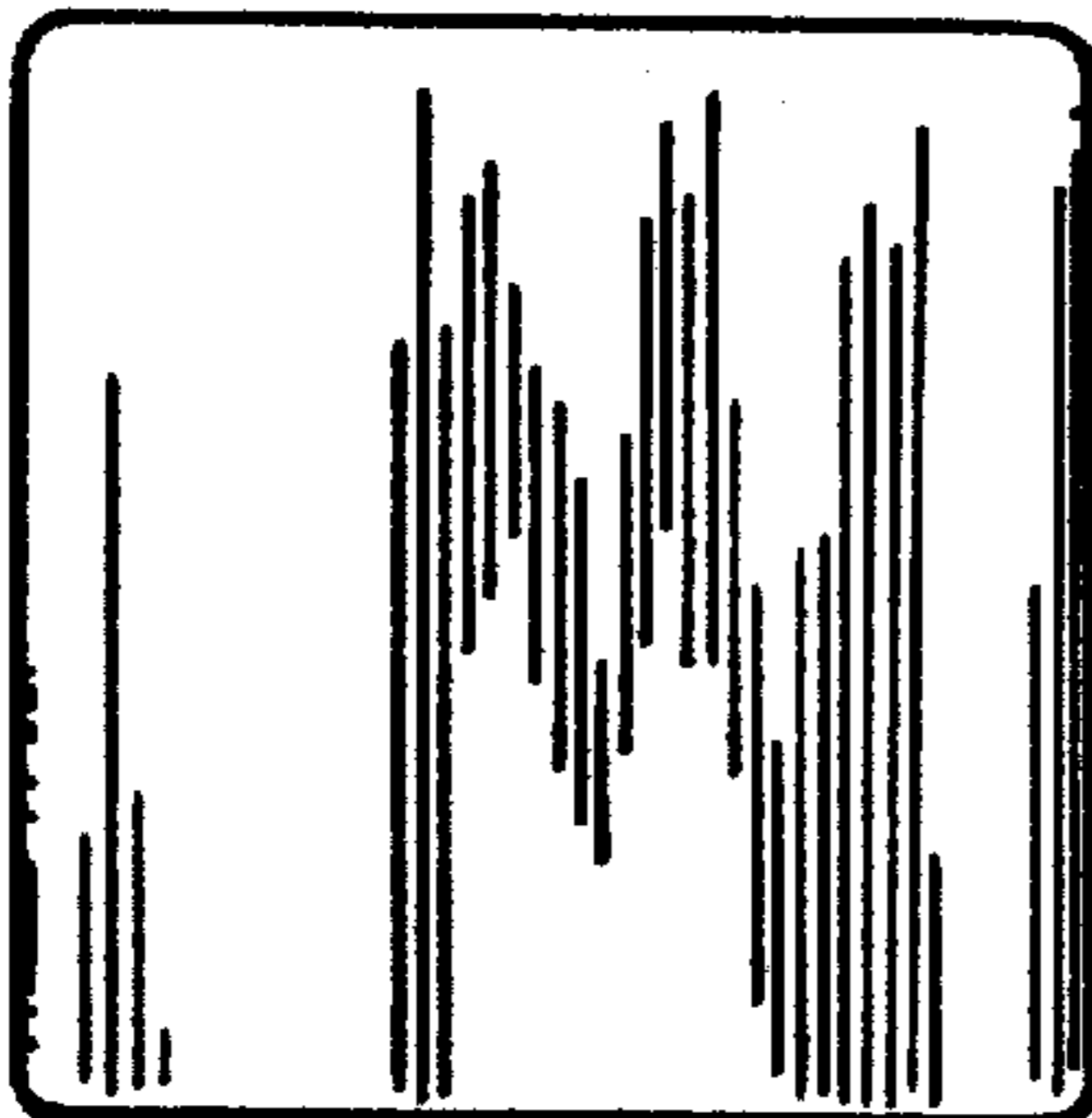


Fig. 3.

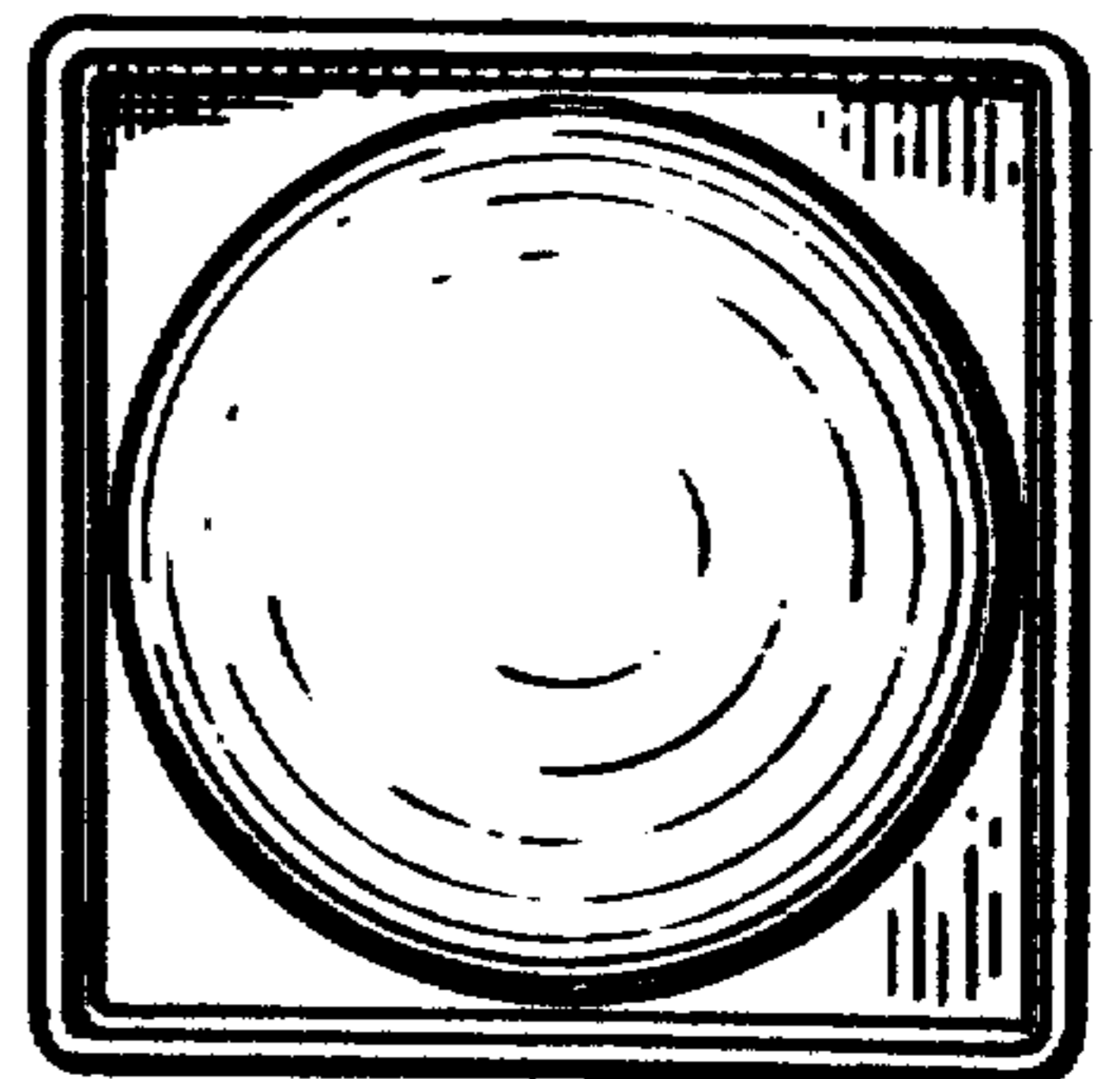


Fig. 6.