

[54] COMBINED PIPE AND TOBACCO CONTAINER

[76] Inventor: Perry J. Molinaro, 641 Bower Hill Road, Pittsburgh, Pa. 15243

[**] Term: 3½ Years

[21] Appl. No.: 541,192

[22] Filed: Jan. 15, 1975

[51] Int. Cl. D27-99

[52] U.S. Cl. D27/6

[58] Field of Search D27/2, 6, 14, 25, 43-44; D6/114, 127, 130-131; D85/2 A, 2 G, 8 C; 131/240 R, 257, 260; 211/60 M

[56] References Cited

U.S. PATENT DOCUMENTS

1,892,046 12/1932 Fairlie D27/14

3,306,308 2/1967 Shanok et al. 131/260
3,503,520 3/1970 Meyer 131/260
D. 119,207 2/1940 Sterne 131/260

Primary Examiner—Joel Stearman
Assistant Examiner—Louis S. Zarfes
Attorney, Agent, or Firm—William J. Ruano

[57] CLAIM

The ornamental design for a combined pipe and tobacco container, substantially as shown and described.

DESCRIPTION

FIG. 1 is a top, perspective view of a combined pipe and tobacco container showing my new design; FIG. 2 is a rear elevational view thereof; FIG. 3 is a left side elevational view thereof; and FIG. 4 is a bottom plan view thereof.

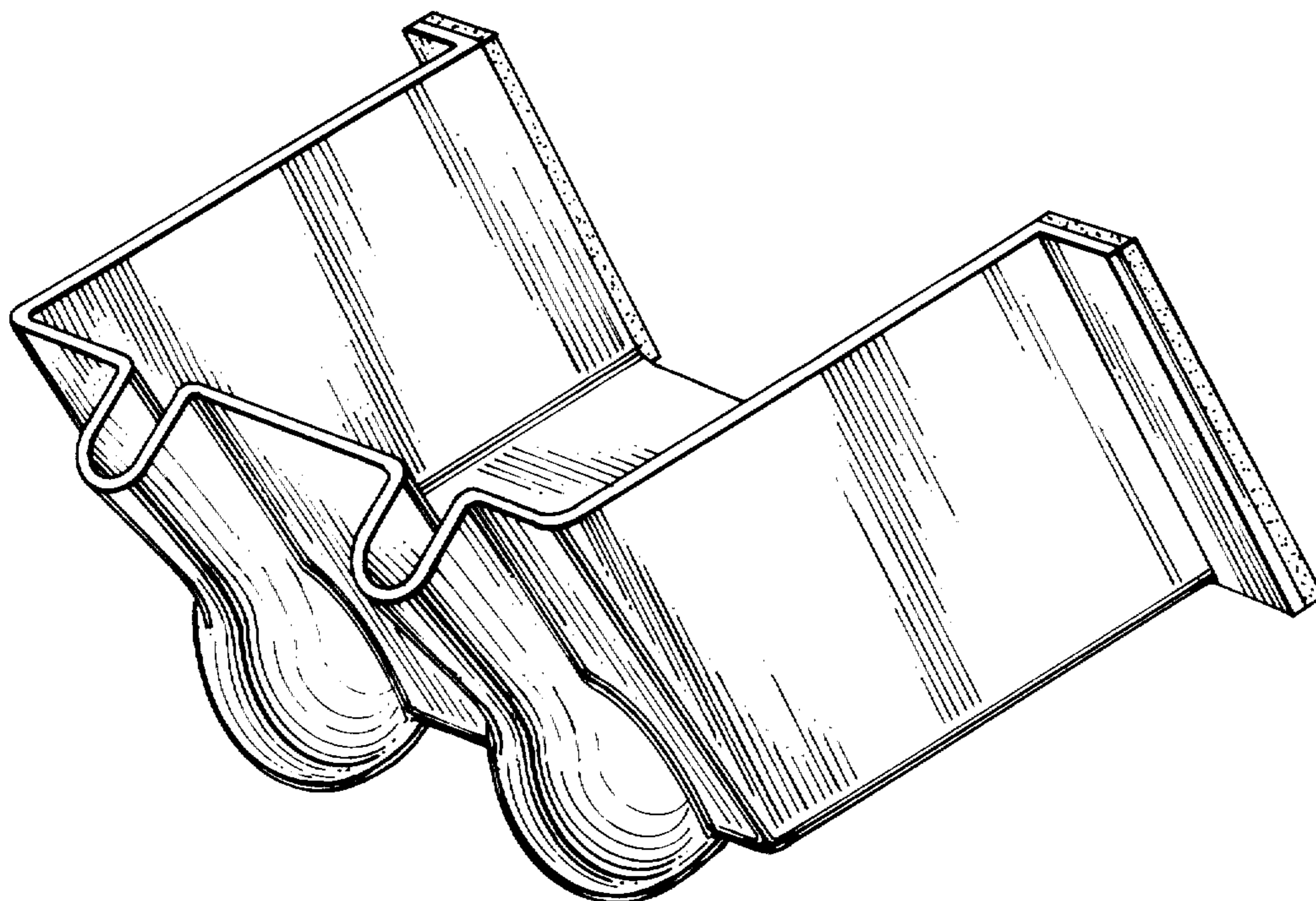


FIG. 1

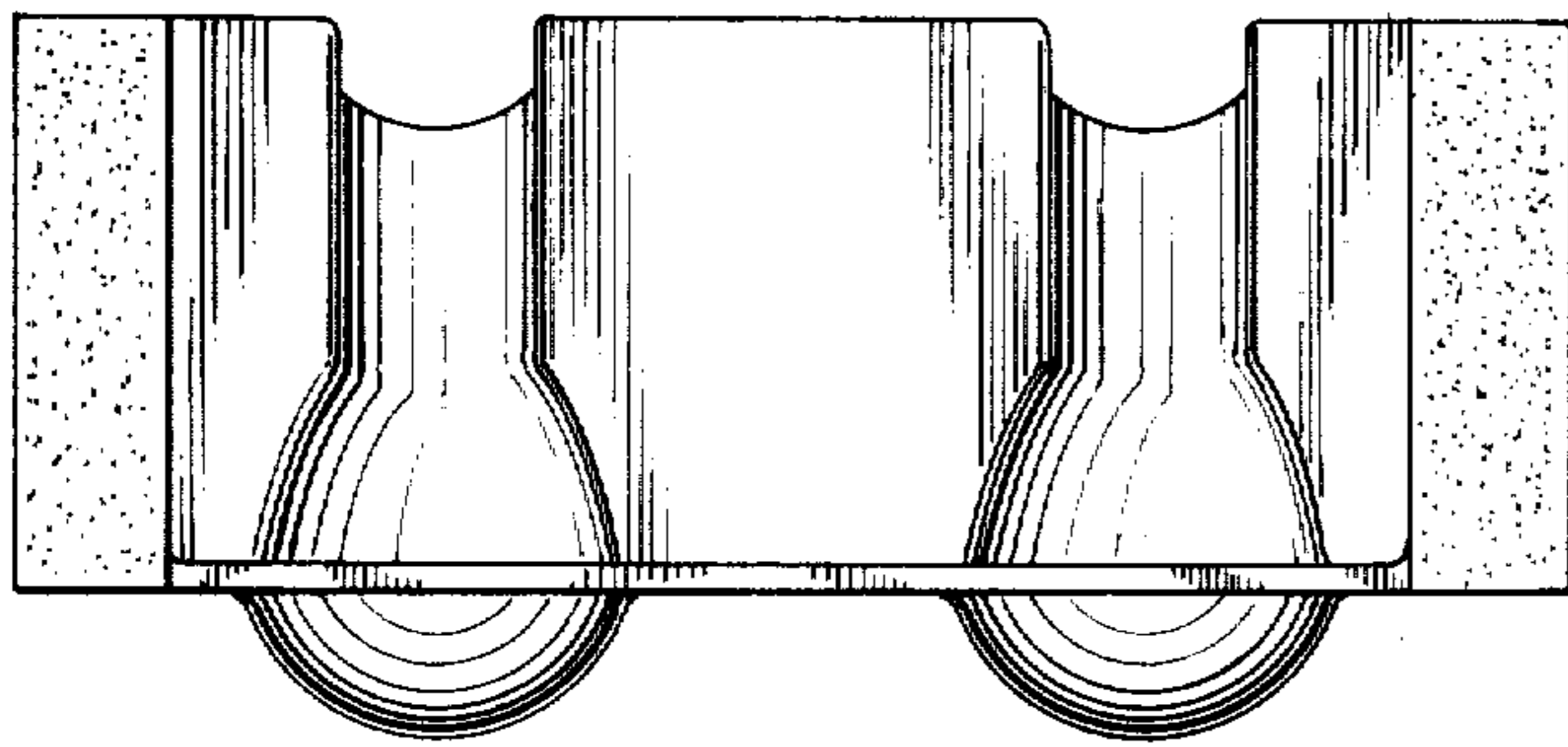
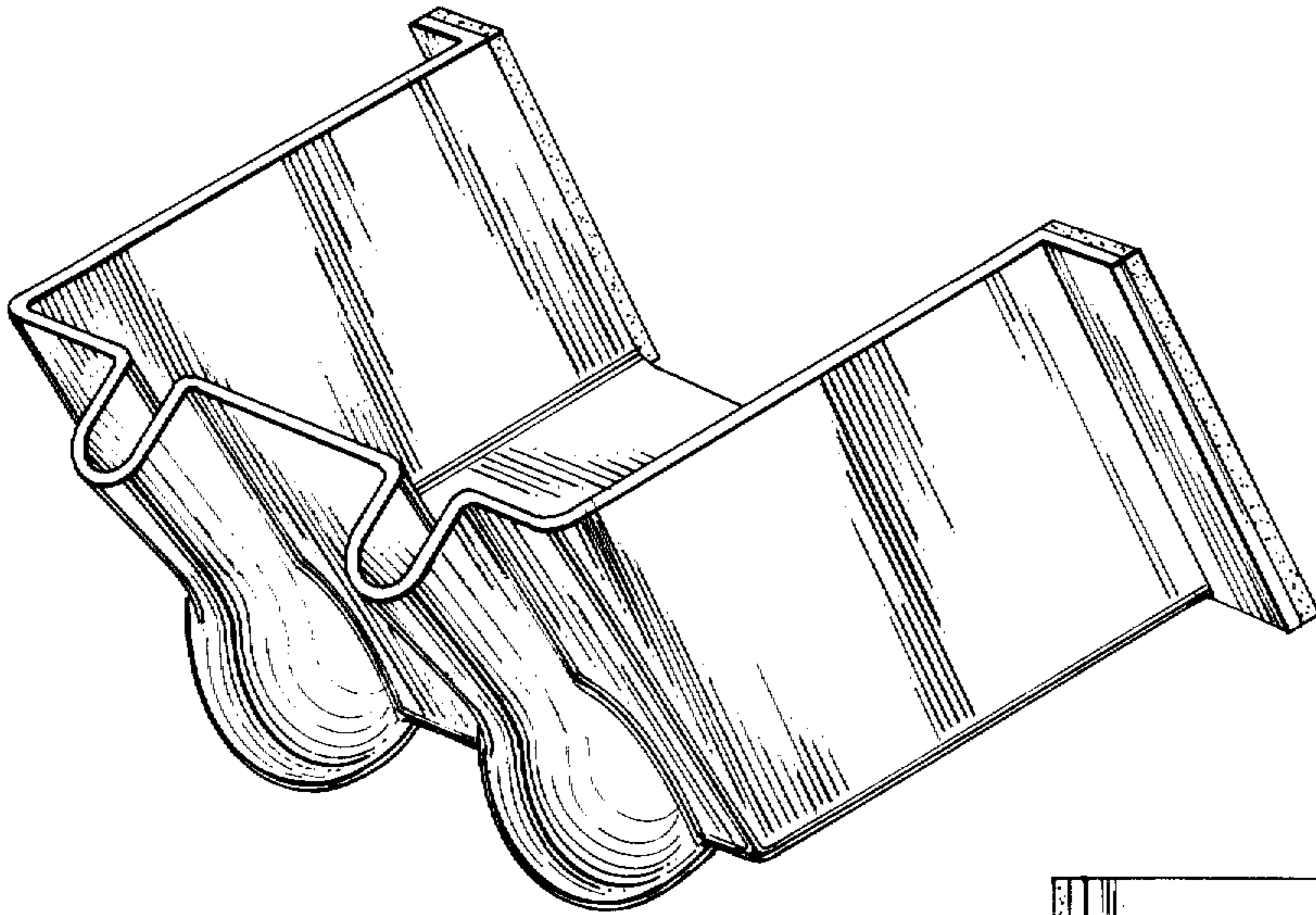


FIG. 2

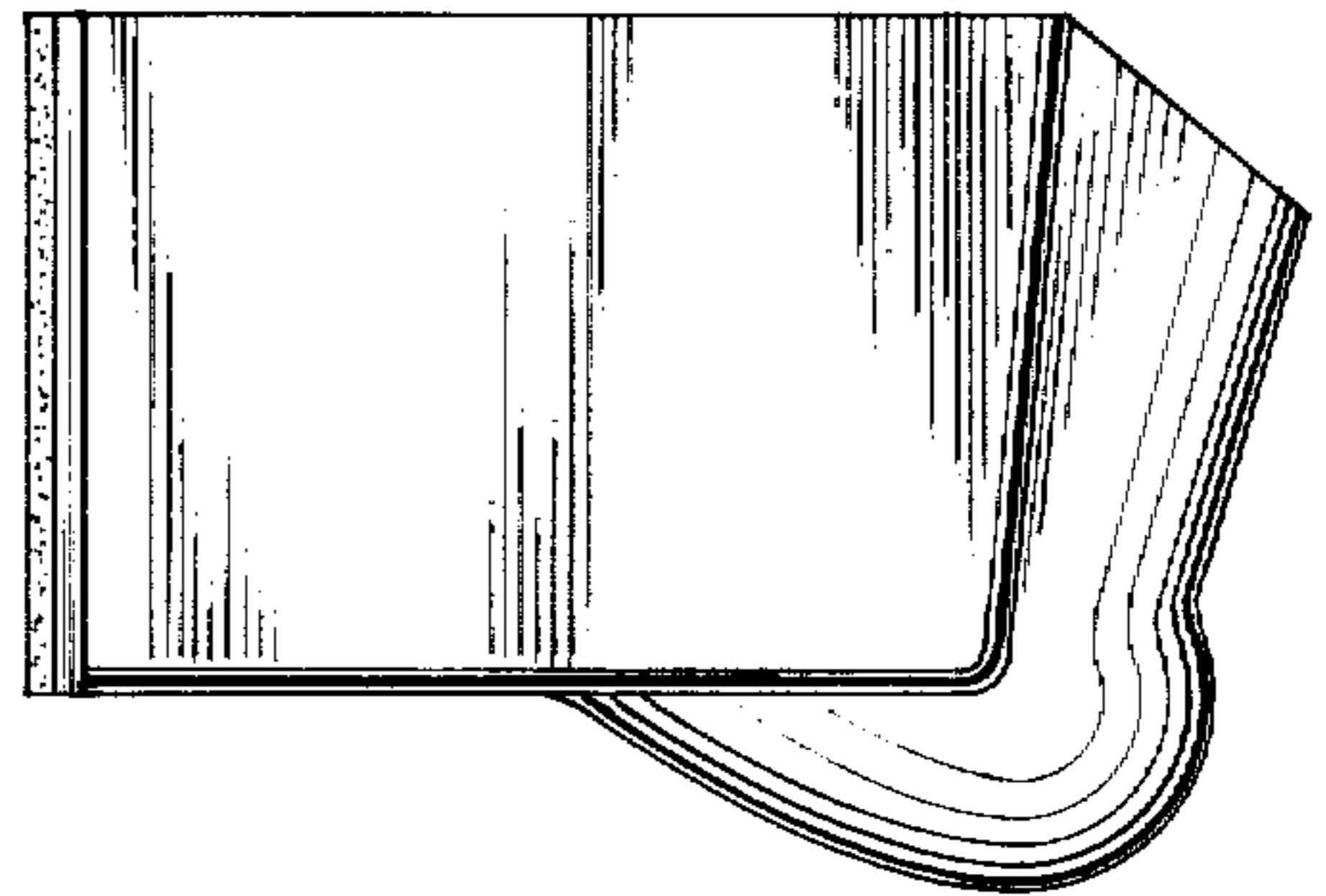


FIG. 3

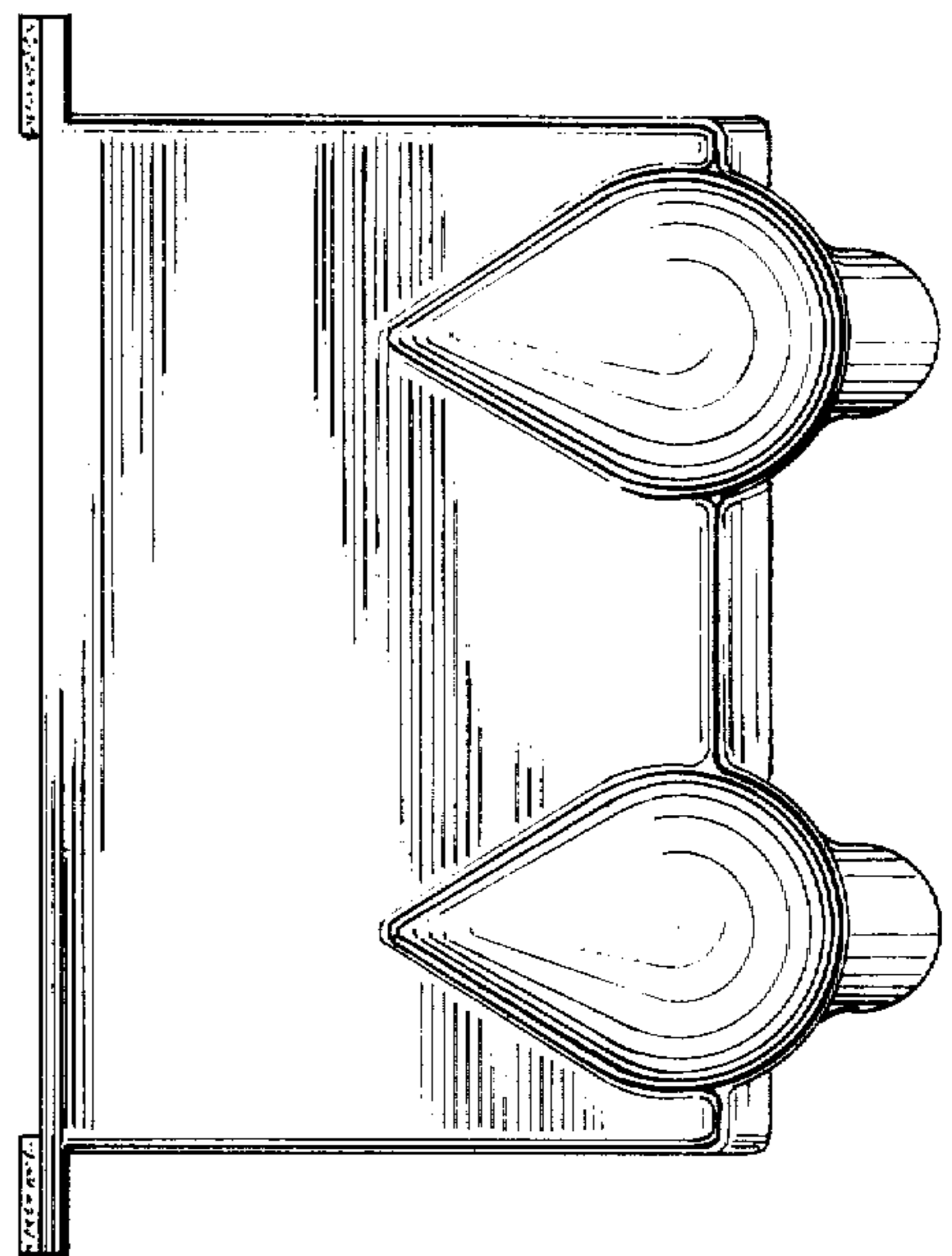


FIG. 4