

[54] BRAKE FLUID FILTER
 [75] Inventor: Charles R. Hinojosa, Camuy, P.R.
 [73] Assignee: Besenbruch-Hofmann Inc.,
 Lindenhurst, N.Y.
 [**] Term: 14 Years
 [21] Appl. No.: 609,377
 [22] Filed: Sept. 2, 1975
 [51] Int. Cl. D23-01
 [52] U.S. Cl. D23/4
 [58] Field of Search D23/3, 4; 210/445-447,
 210/449, 94

3,122,501 2/1964 Hultgren 210/94
 3,622,007 11/1971 Pappathatos 210/445
 D. 206,281 11/1966 Sunstrom et al. D23/4
 D. 232,551 8/1974 Grover D23/4

Primary Examiner—James R. Largent
 Attorney, Agent, or Firm—Edward H. Loveman

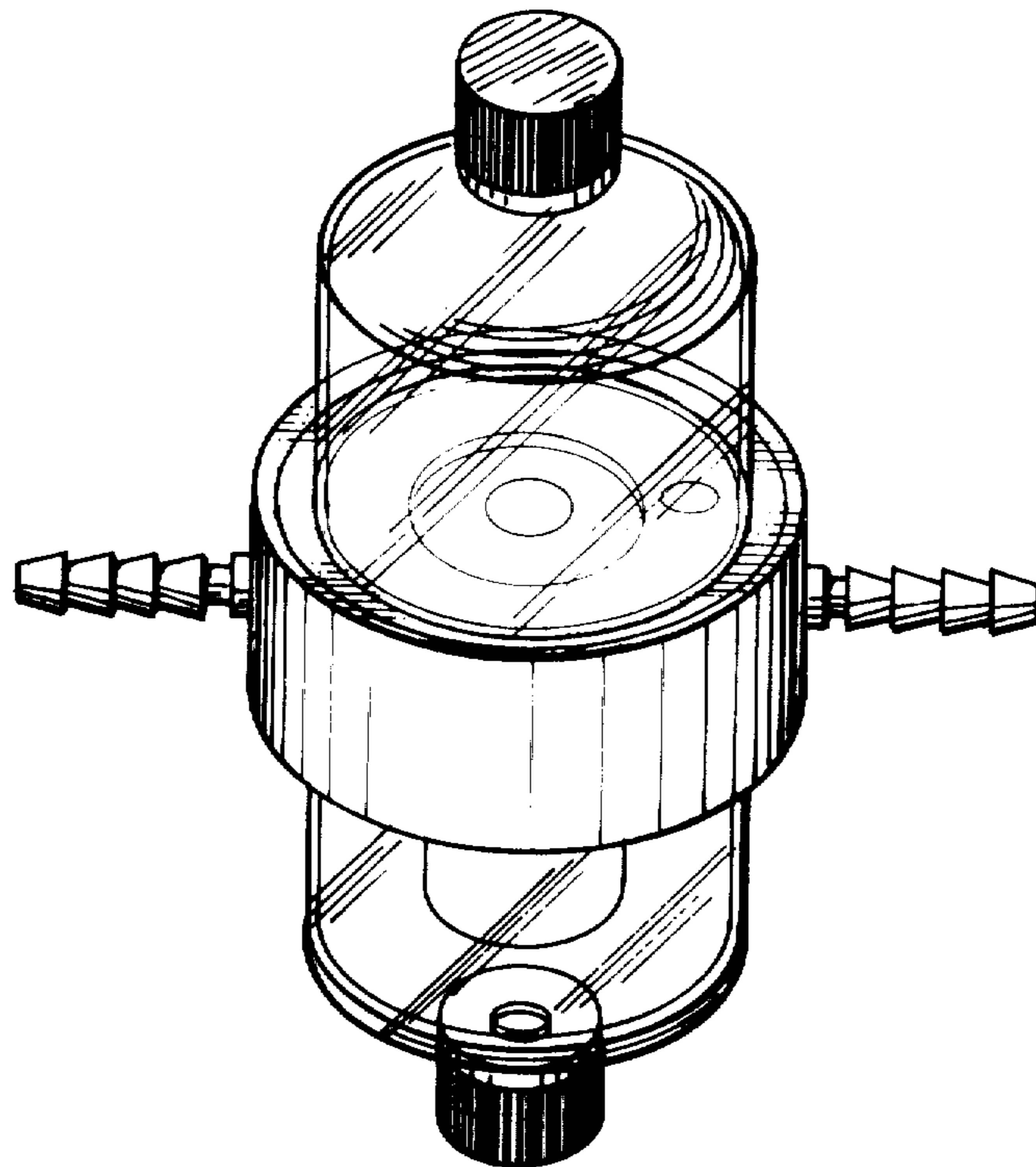
[57] CLAIM

The ornamental design of a brake fluid filter, substantially as shown.

DESCRIPTION

FIG. 1 is a front elevational view of a brake fluid filter showing my new design;
 FIG. 2 is a left side elevational view thereof;
 FIG. 3 is a top plan view thereof;
 FIG. 4 is a bottom plan view thereof; and
 FIG. 5 is a perspective view thereof.

[56] References Cited
 U.S. PATENT DOCUMENTS
 2,290,796 7/1942 Bassett D23/4 UX
 2,661,847 12/1953 Buettner 210/444 X



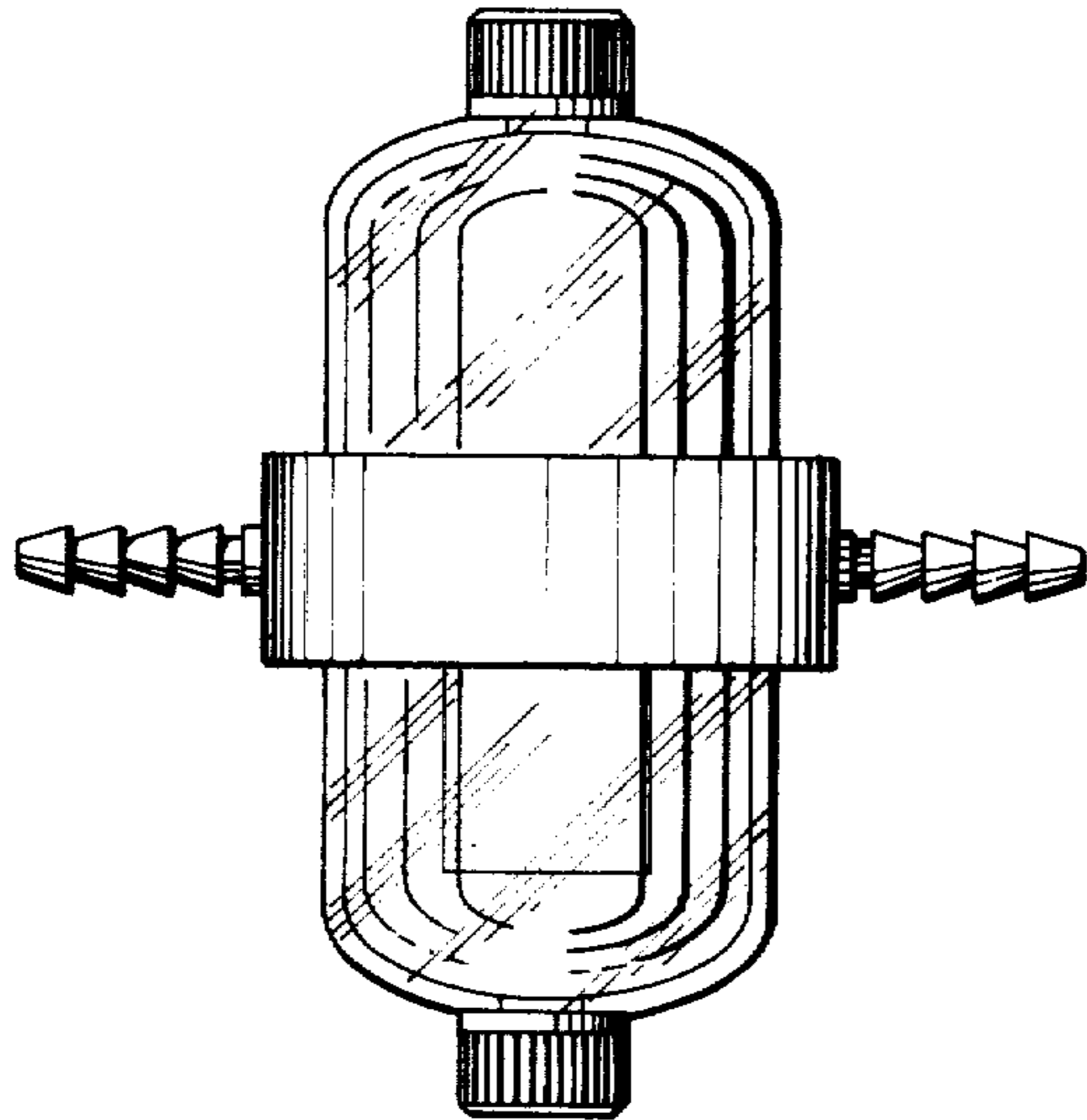


Fig. 1

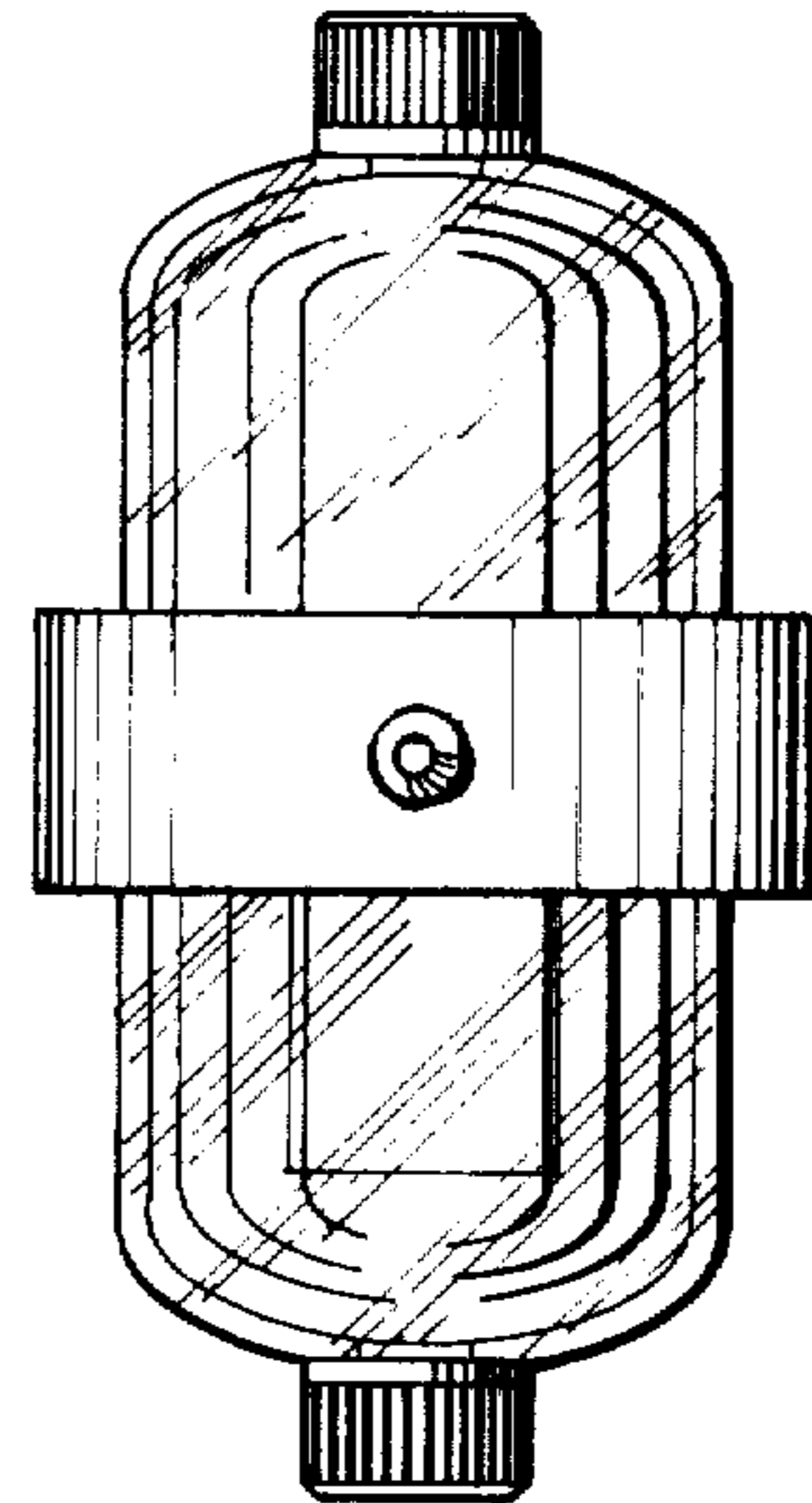


Fig. 2

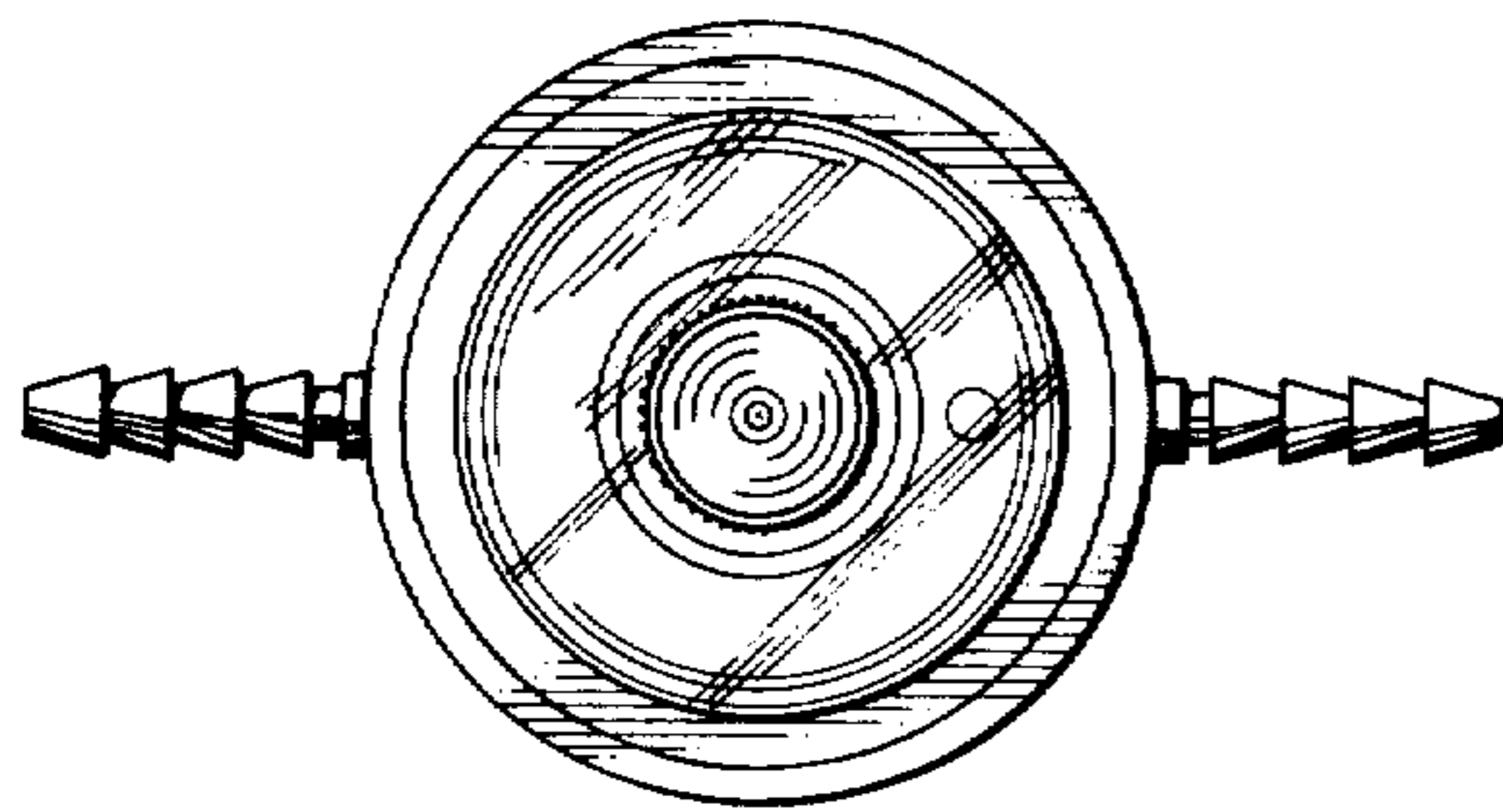


Fig. 3

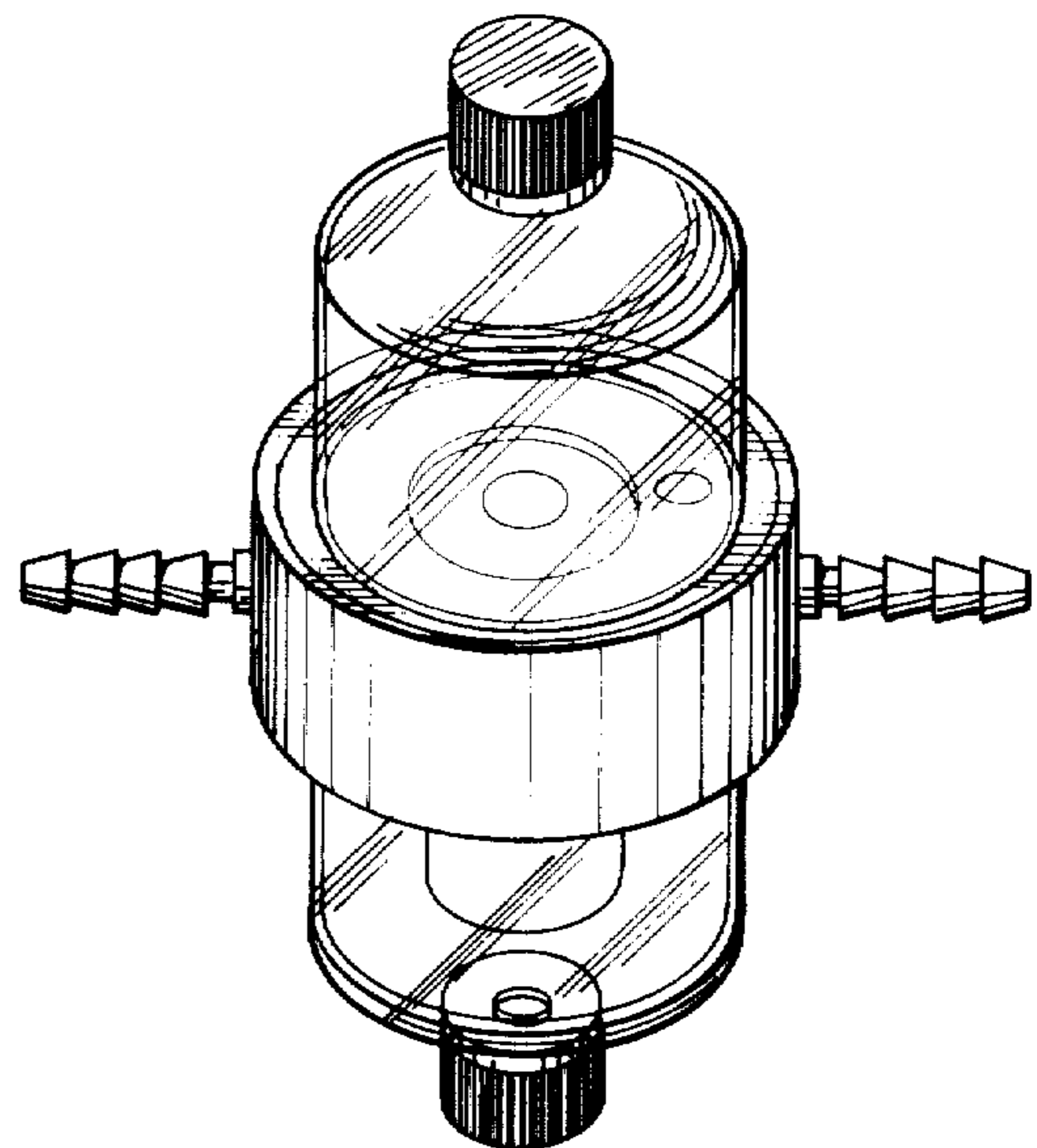


Fig. 5

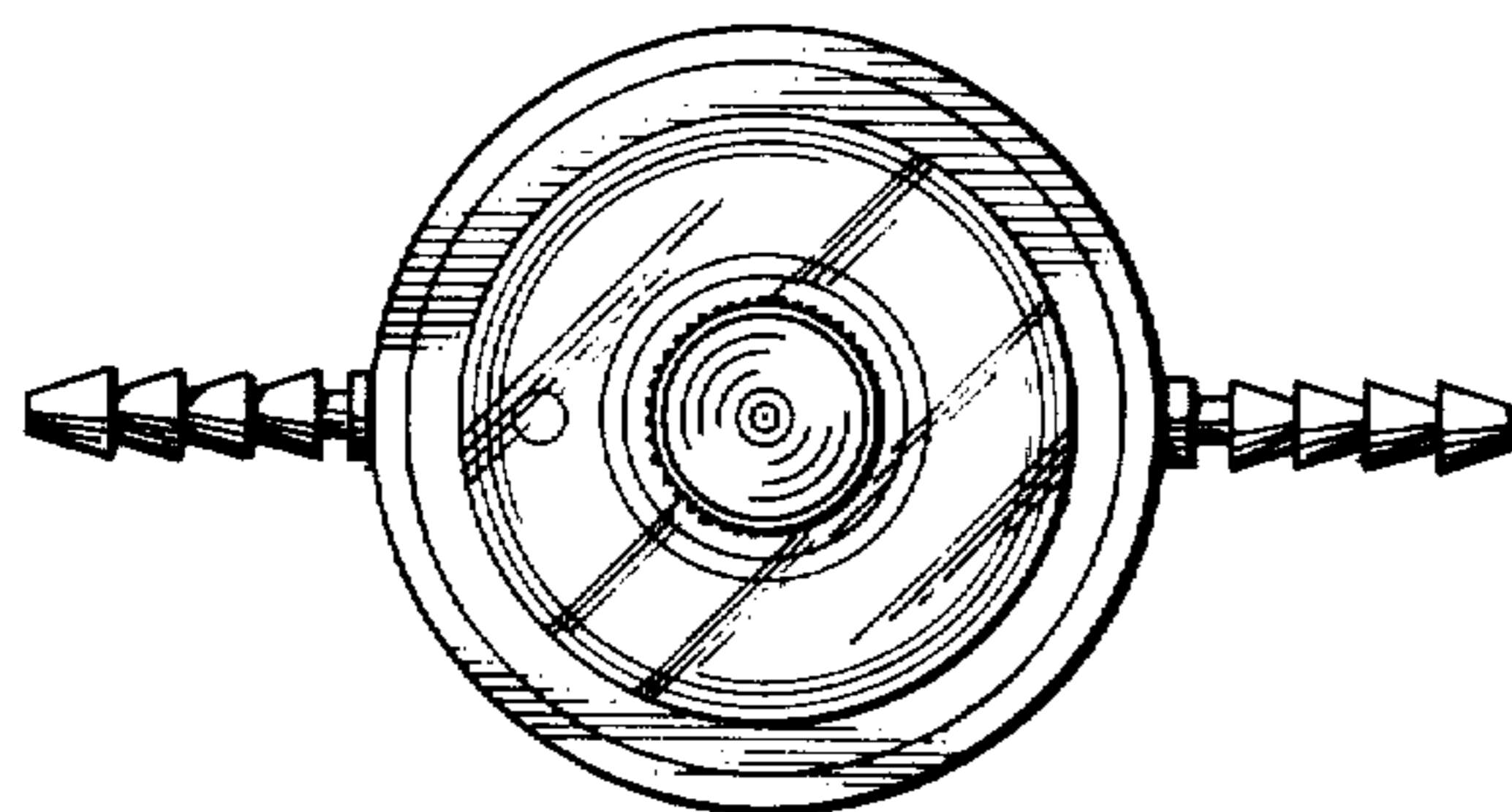


Fig. 4