

[54] **COMBINED PENCIL SHARPENER AND CATCH BOX**

D. 226,403 2/1973 Rosson D19/73

[76] Inventor: **Werner Möbius**, Hindenburgstrasse 77, Erlangen, Germany, 8520

OTHER PUBLICATIONS

Kohanoor Folder No. K-878, 10/69, lead pointer.

[**] Term: **14 Years**

Primary Examiner—Joel Stearman
Assistant Examiner—George P. Word
Attorney, Agent, or Firm—John C. Holman

[21] Appl. No.: **601,405**

[22] Filed: **Aug. 4, 1975**

[30] **Foreign Application Priority Data**

[57] **CLAIM**

Feb. 3, 1975 Germany 7064

The ornamental design for a combined pencil sharpener and catch box, as shown and described.

[51] **Int. Cl.** **D19-06**

[52] **U.S. Cl.** **D19/73**

[58] **Field of Search** **D19/73-74, D19/65, 75, 79, 85, 93, 95; 144/28.1-28.9**

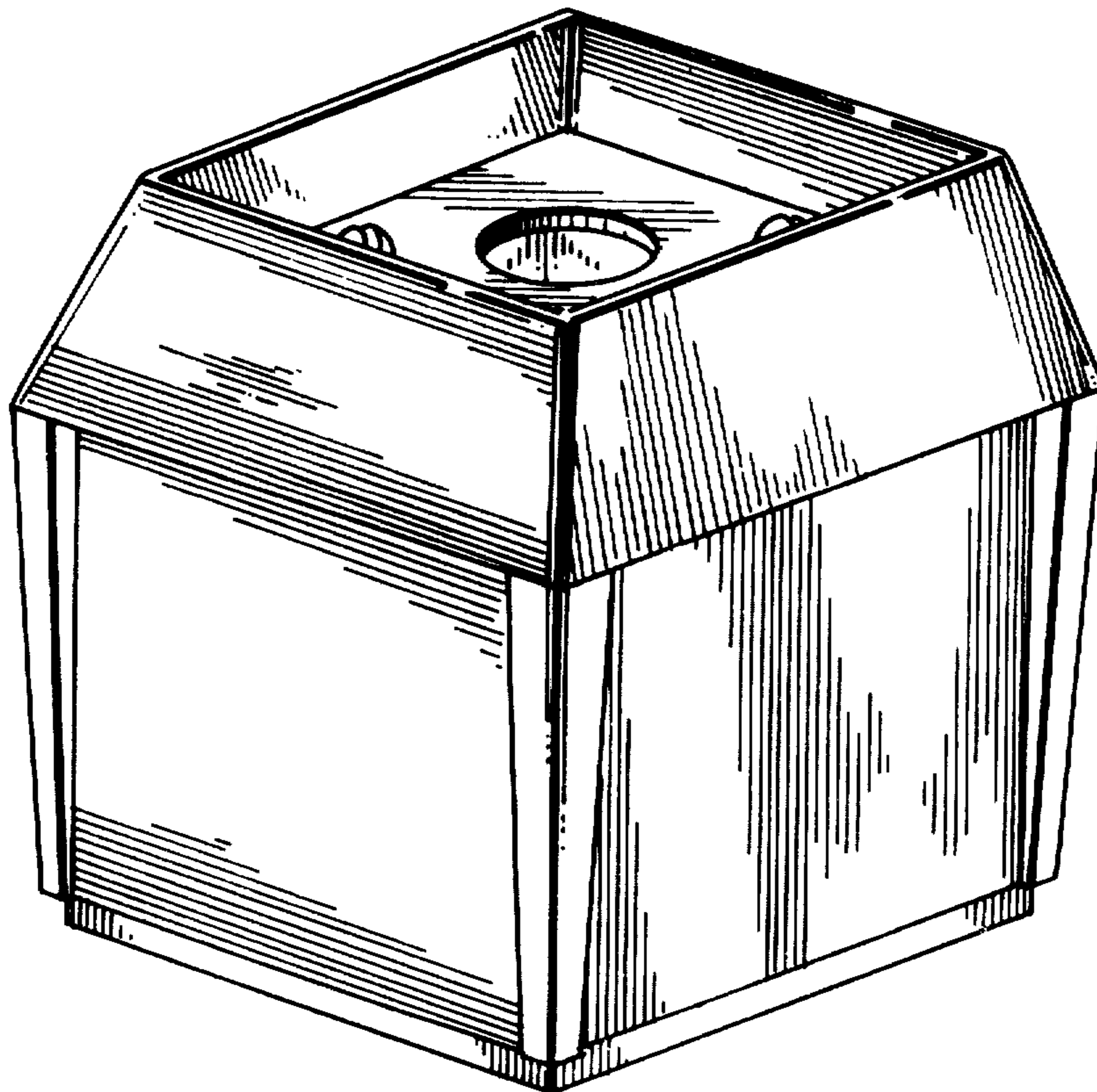
DESCRIPTION

[56] **References Cited**

FIG. 1 is a perspective view of a combined pencil sharpener and catch box showing my new design; FIG. 2 is a top plan view; FIG. 3 is a bottom plan view; and FIG. 4 is a side elevational view.

U.S. PATENT DOCUMENTS

D. 219,318 11/1970 Macowski D19/73



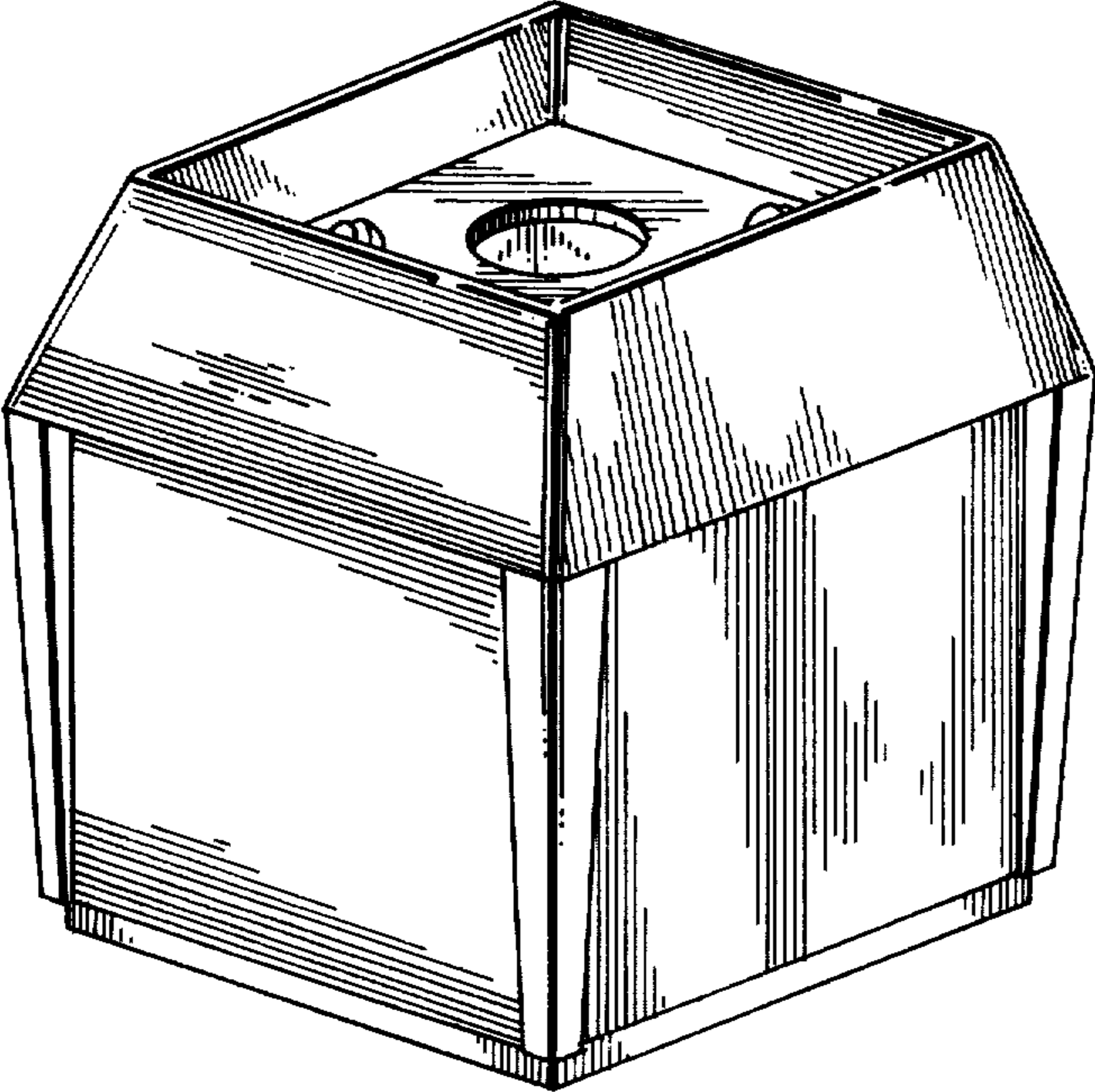


FIG. 1

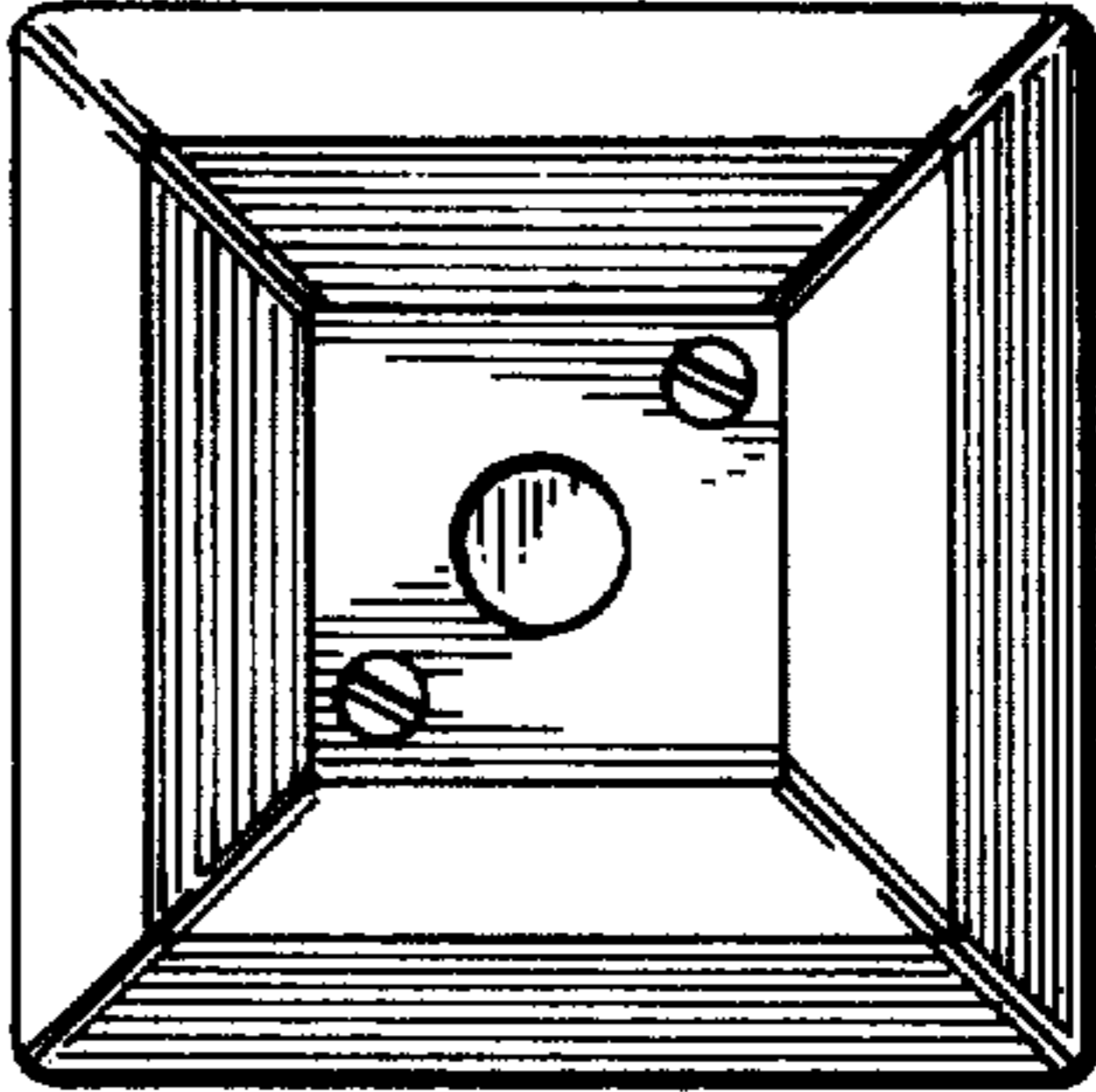


FIG. 2

FIG. 3

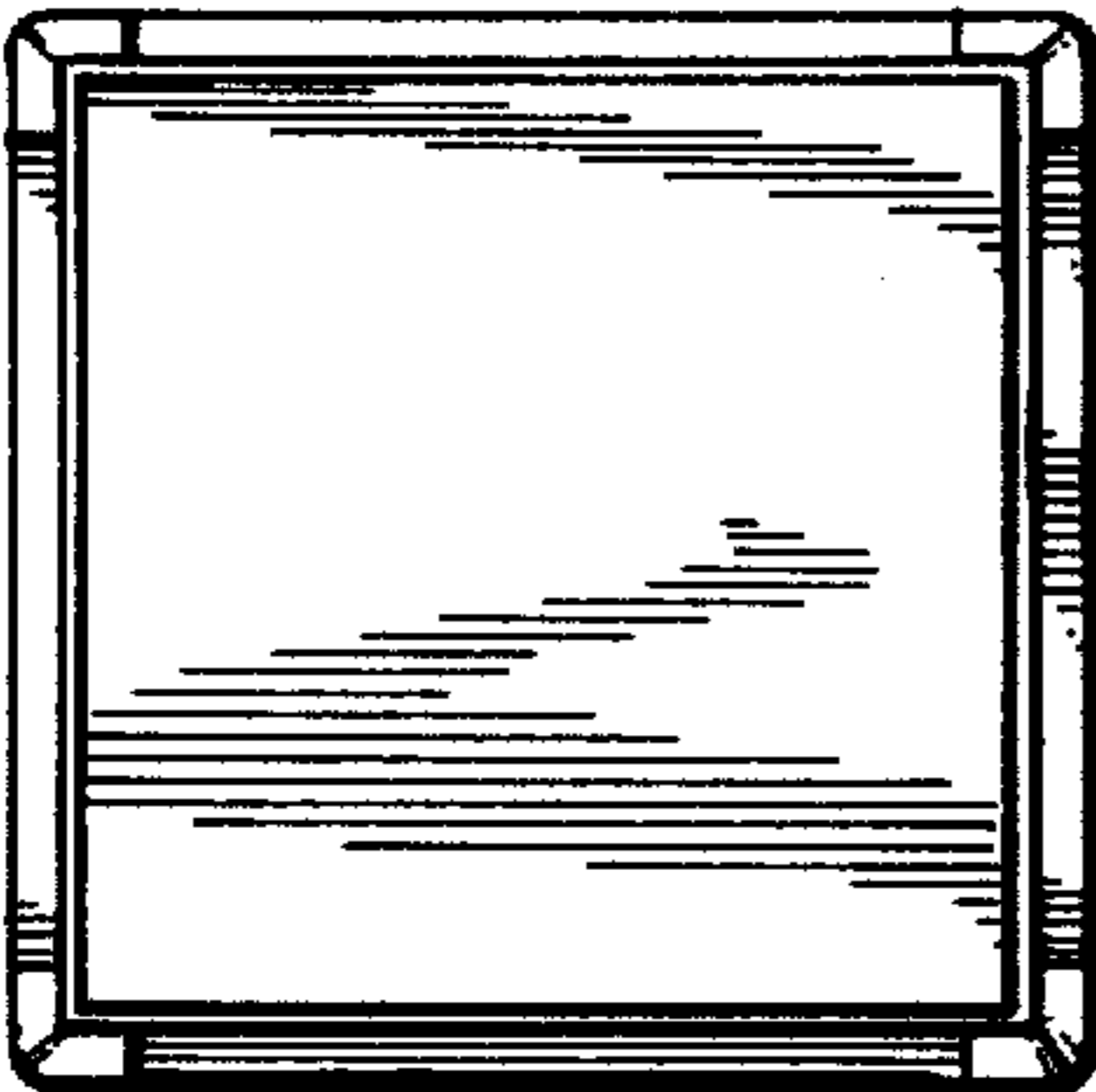


FIG. 4

