

[54] BINOCULAR WITH EYECUPS THEREFOR

[75] Inventor: Claus O. Huckenbeck, Sherman Oaks, Calif.

[73] Assignee: Bausch & Lomb Incorporated, Rochester, N.Y.

[*] Notice: The portion of the term of this patent subsequent to June 18, 1988, has been disclaimed.

[**] Term: 14 Years

[21] Appl. No.: 549,878

[22] Filed: Feb. 14, 1975

[51] Int. Cl. D16-06

[52] U.S. Cl. 16/59

[58] Field of Search D57/1 E; 350/145, 51, 350/75; D16/59

[56] References Cited

U.S. PATENT DOCUMENTS

3,523,375	8/1970	Frith et al.	350/145 X
3,535,026	10/1970	Com	350/145 X
3,572,887	3/1971	Leitzsch	350/51

D. 231,858 6/1974 Huckenbeck D57/1 E

OTHER PUBLICATIONS

Selsi Co. Inc., Received Mar. 1968, p. 11, No. 217, Opera Glasses.

Primary Examiner—Bernard Ansher
Attorney, Agent, or Firm—Robert L. Parker

[57] CLAIM

The ornamental design for a binocular with eyecups therefor, substantially as shown and described.

DESCRIPTION

FIG. 1 is a top perspective view of a binocular with eyecups therefor, showing my new design;
 FIG. 2 is a top plan view thereof;
 FIG. 3 is an elevation as seen in the direction of line 3—3 of FIG. 2;
 FIG. 4 is an elevation as seen in the direction of line 4—4 of FIG. 2;
 FIG. 5 is an elevation of the objective lens end as seen in the direction of 5—5 of FIG. 2; and
 FIG. 6 is a bottom plan view as seen in the direction of line 6—6 of FIG. 3.

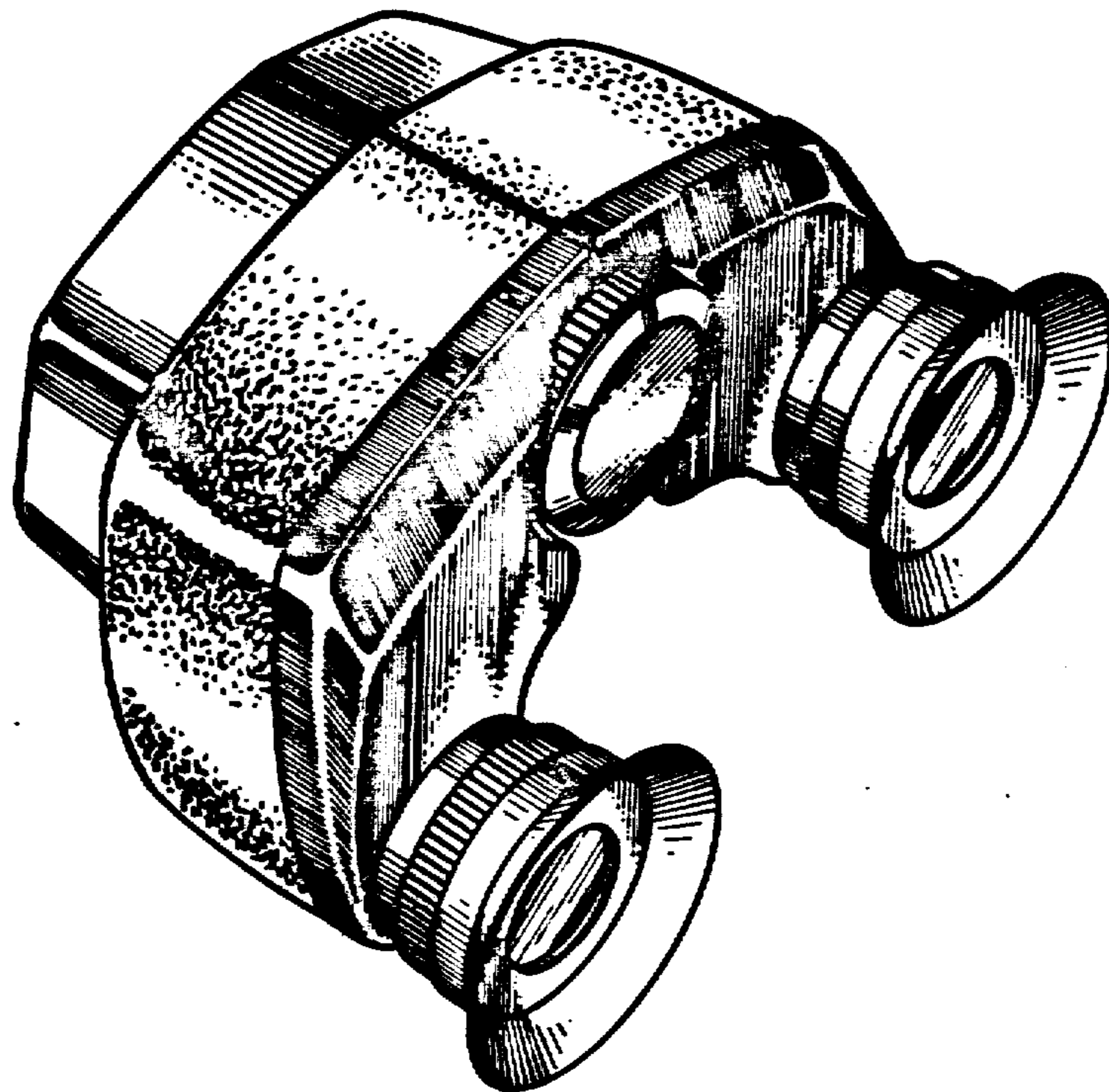


Fig. 1

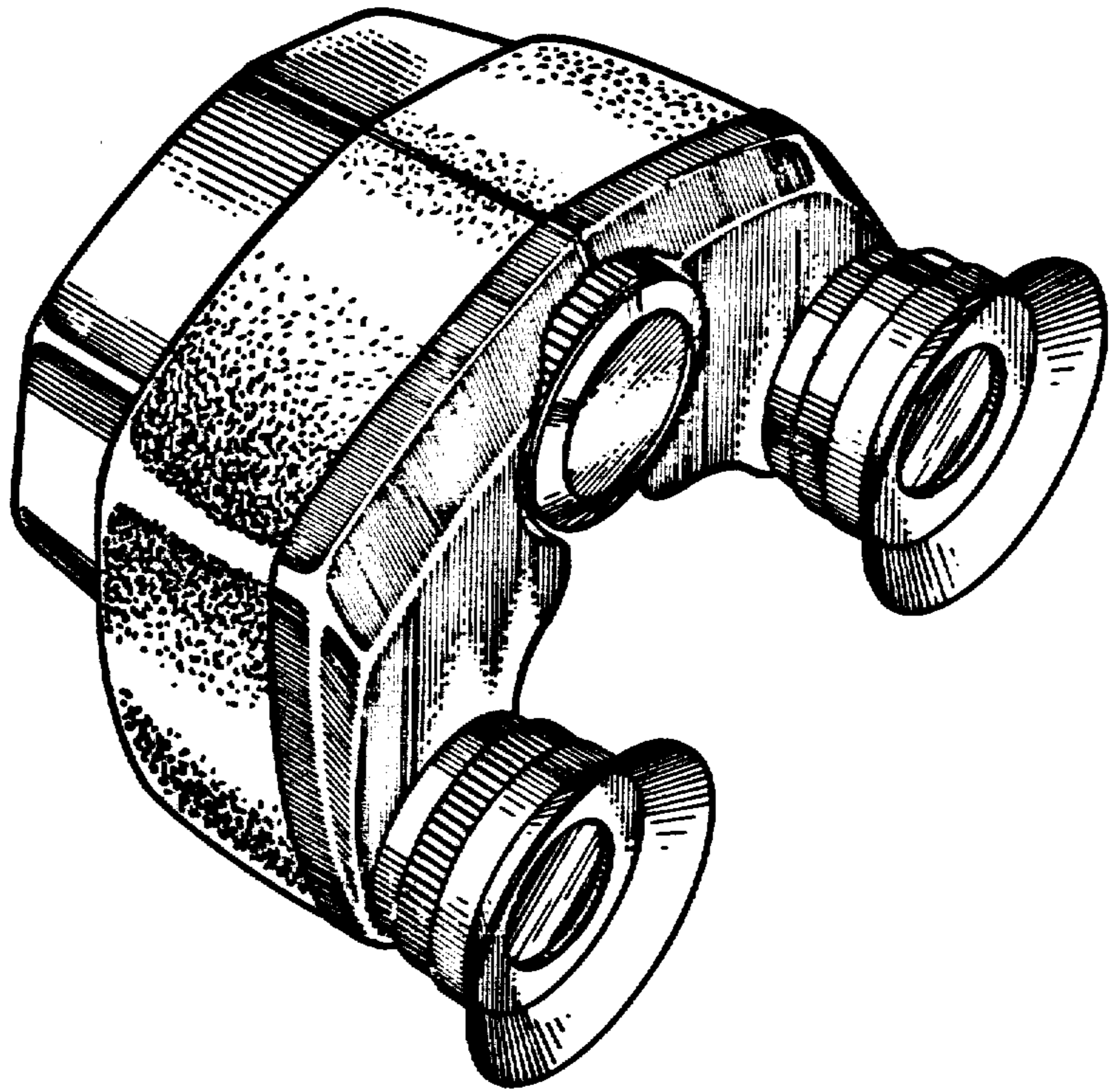


Fig. 2

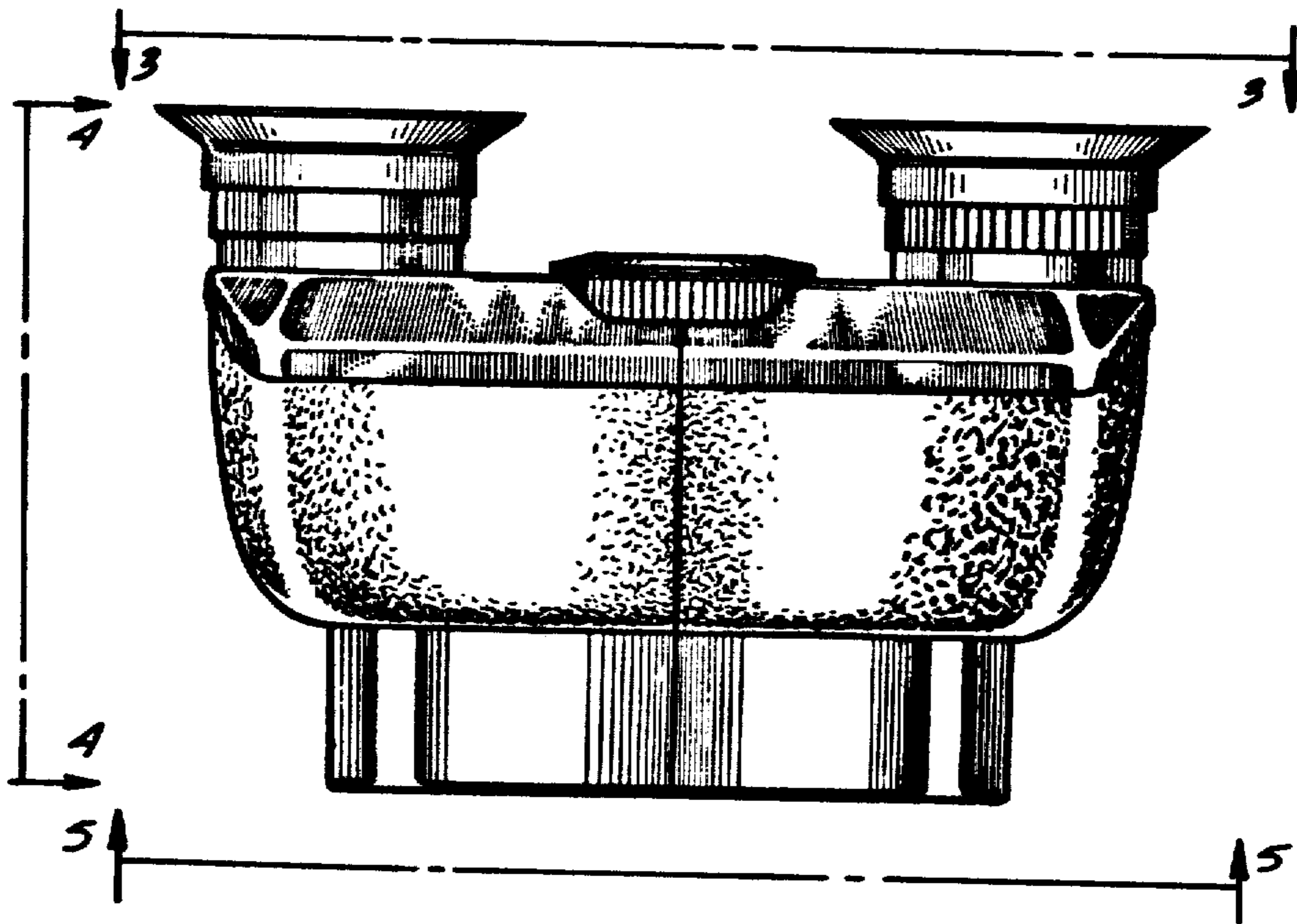


Fig. 3

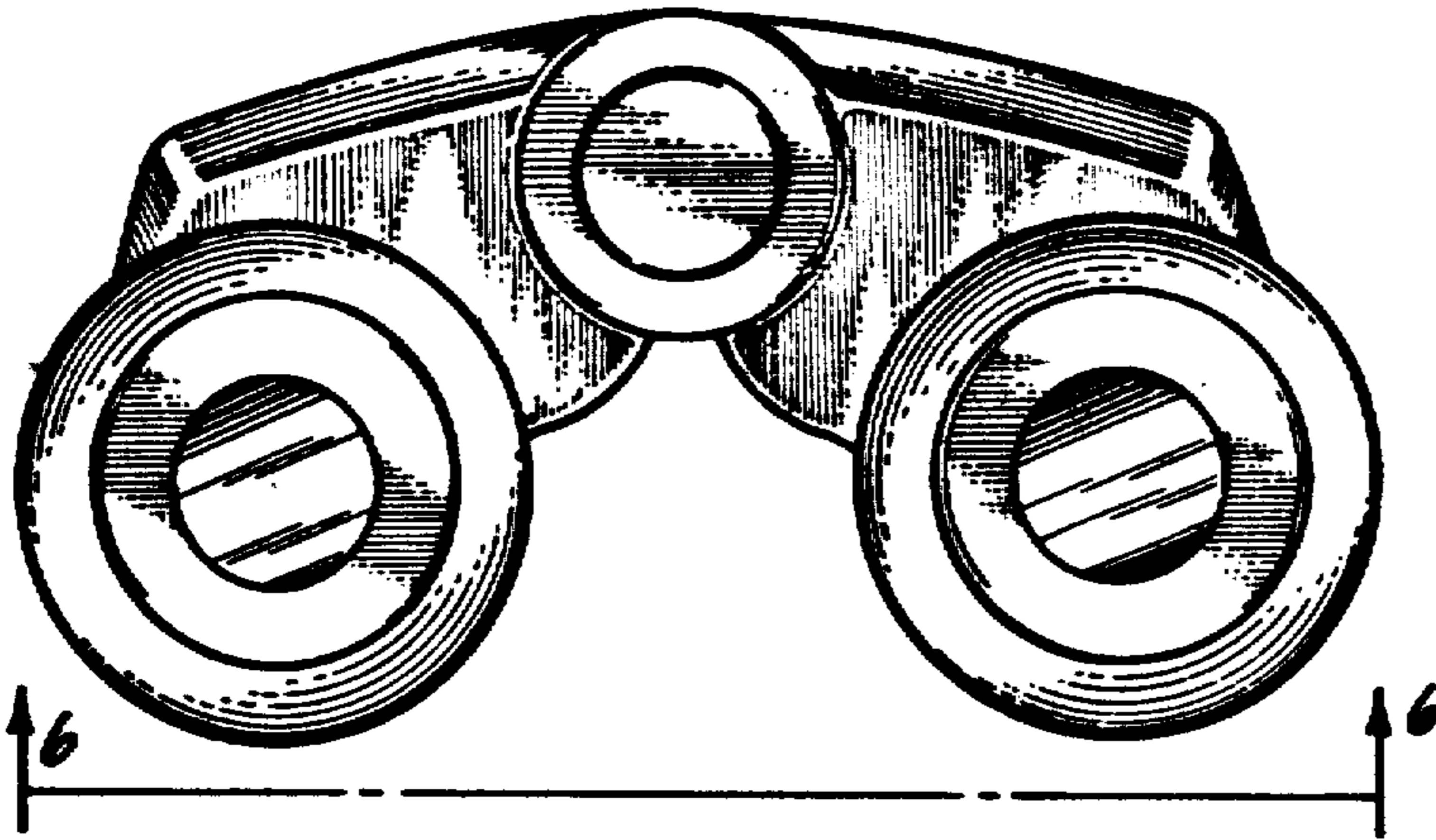


Fig. 4

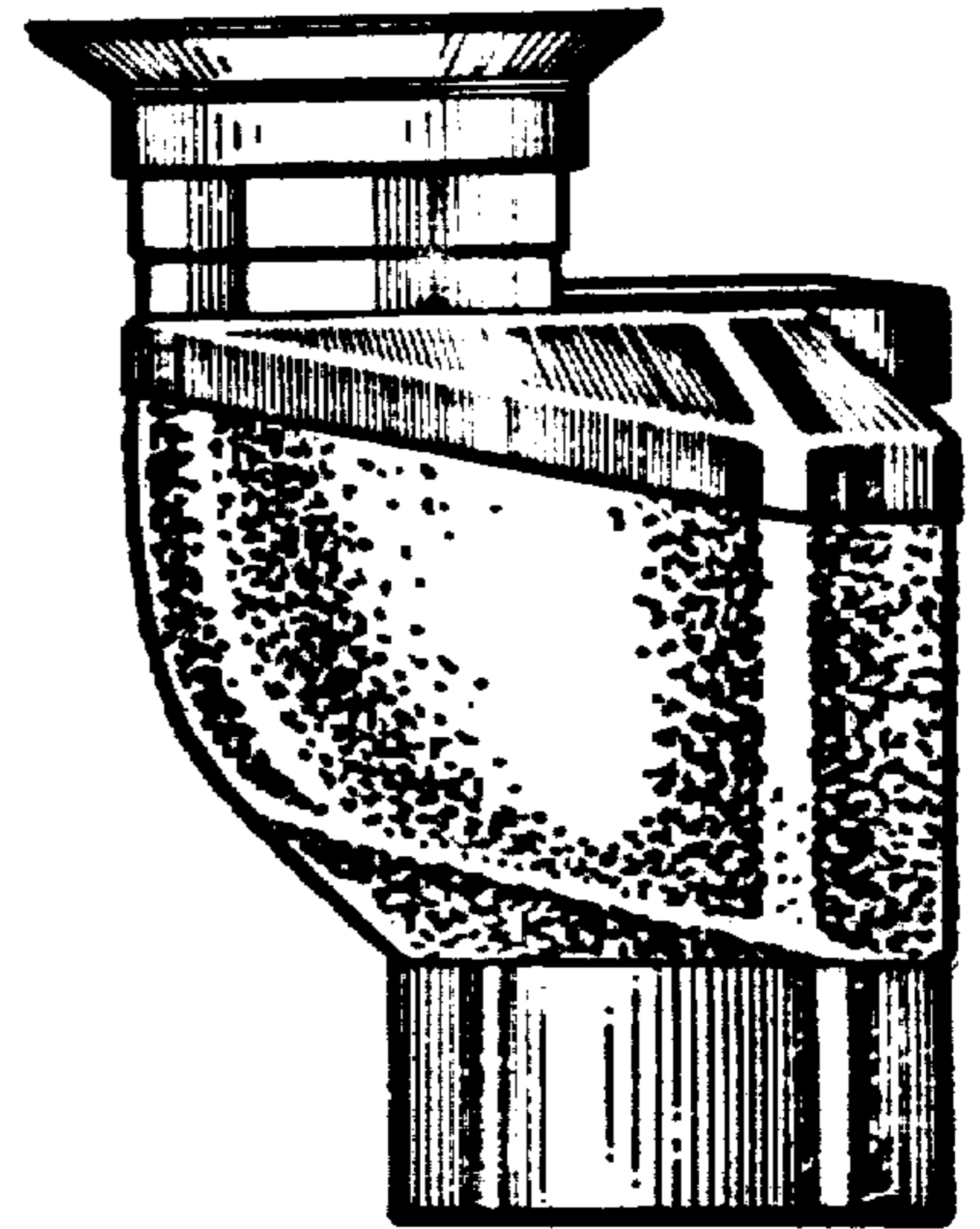


Fig. 5

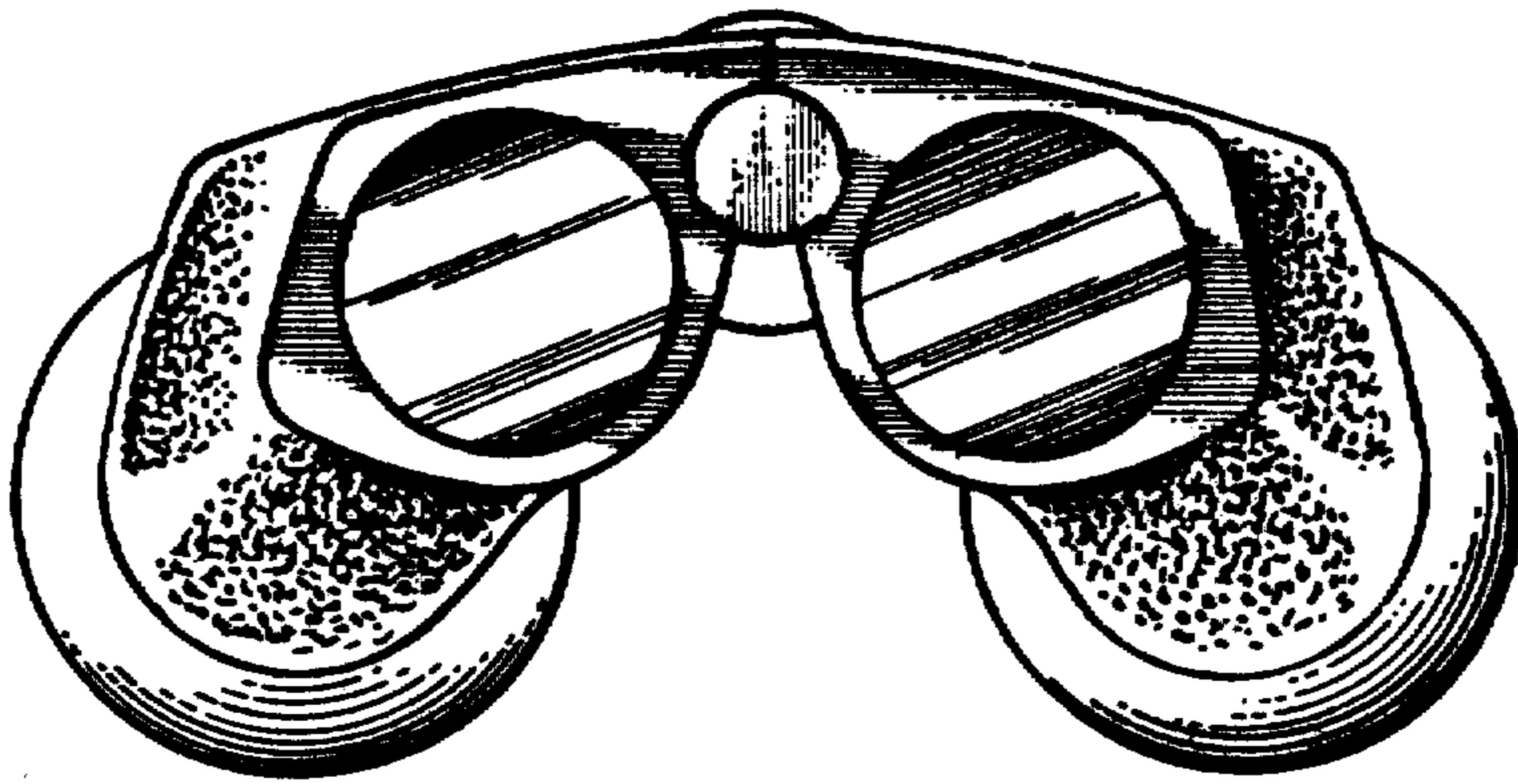


Fig. 6

