

[54] PHOTO LAMP

[75] Inventor: Robert C. Devinney, Jr., Costa Mesa, Calif.

[73] Assignee: Larson Enterprises, Inc.

[\*\*] Term: 14 Years

[21] Appl. No.: 602,913

[22] Filed: Aug. 7, 1975

[51] Int. Cl. .... D16-05

[52] U.S. Cl. .... D16/42

[58] Field of Search ..... D16/39, 42; D48/20 K; 240/1.3, 11.4

[56] References Cited

U.S. PATENT DOCUMENTS

2,620,388	12/1952	Franz	.....	D48/20 K
D. 225,261	11/1972	Houplain	.....	D48/20 K
D. 234,218	1/1975	Donato	.....	D48/20 K

D. 235,222 5/1975 Larson ..... D48/20 K

OTHER PUBLICATIONS

British Journal of Photography, 10-1974, p. XI, Bowen Monolite 400.

Primary Examiner—Joel Stearman

Assistant Examiner—C. A. Rademaker

Attorney, Agent, or Firm—Thomas P. Mahoney

[57] CLAIM

The ornamental design for a photo lamp, as shown.

DESCRIPTION

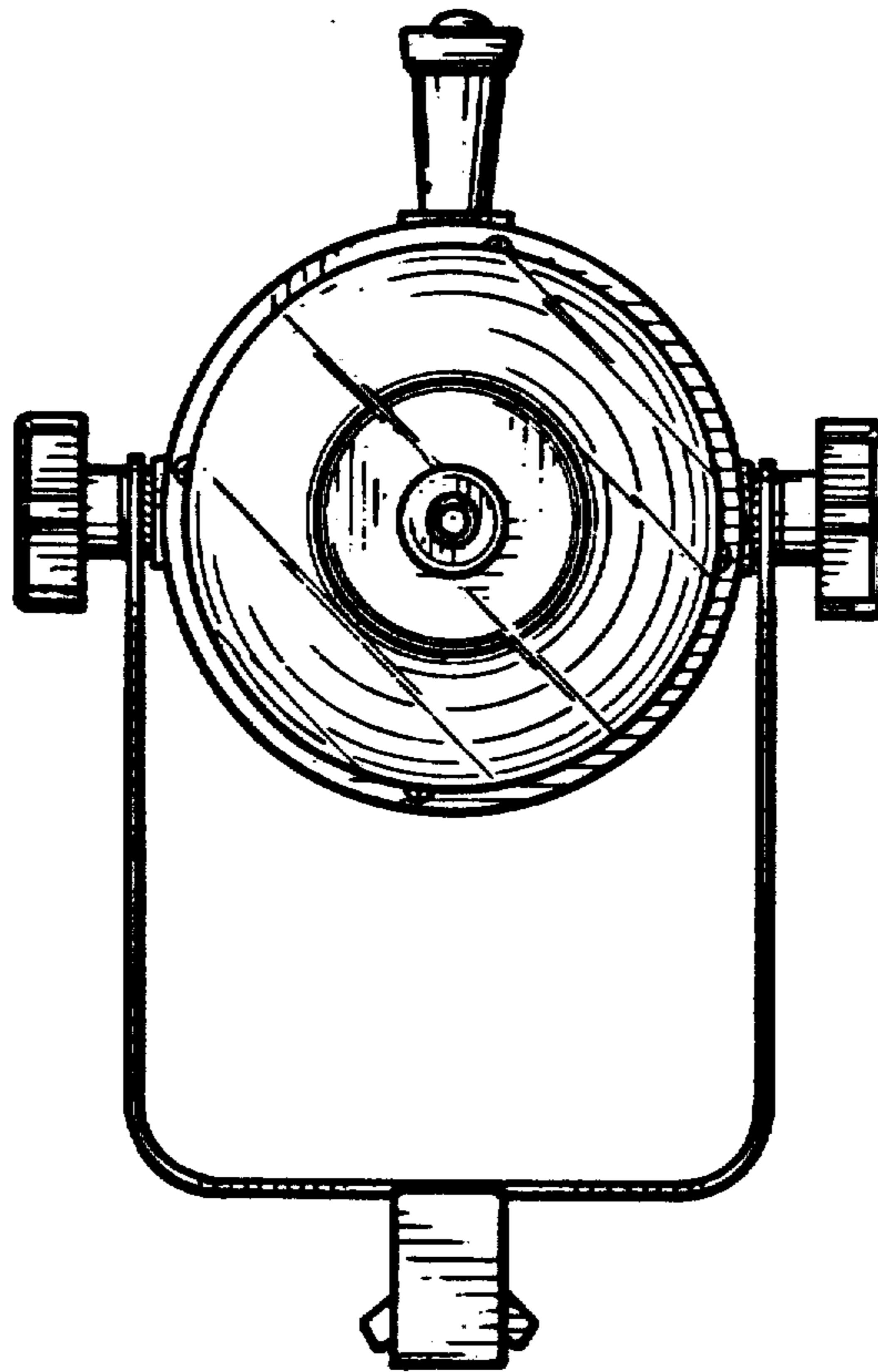
FIG. 1 is a front elevational view of a photo lamp showing my design;

FIG. 2 is a rear elevational view thereof;

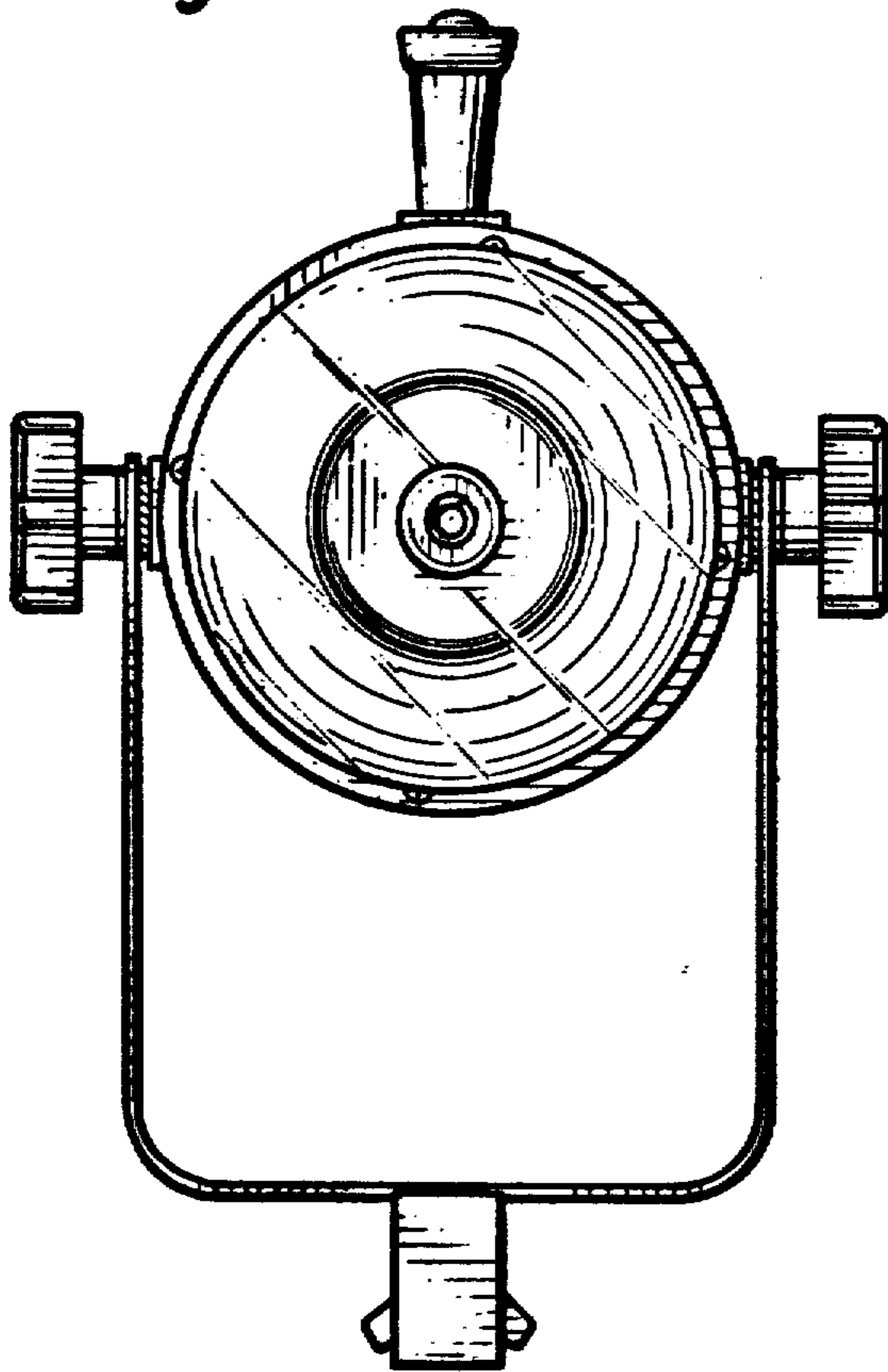
FIG. 3 is a top plan view thereof;

FIG. 4 is a right side elevational view thereof; and

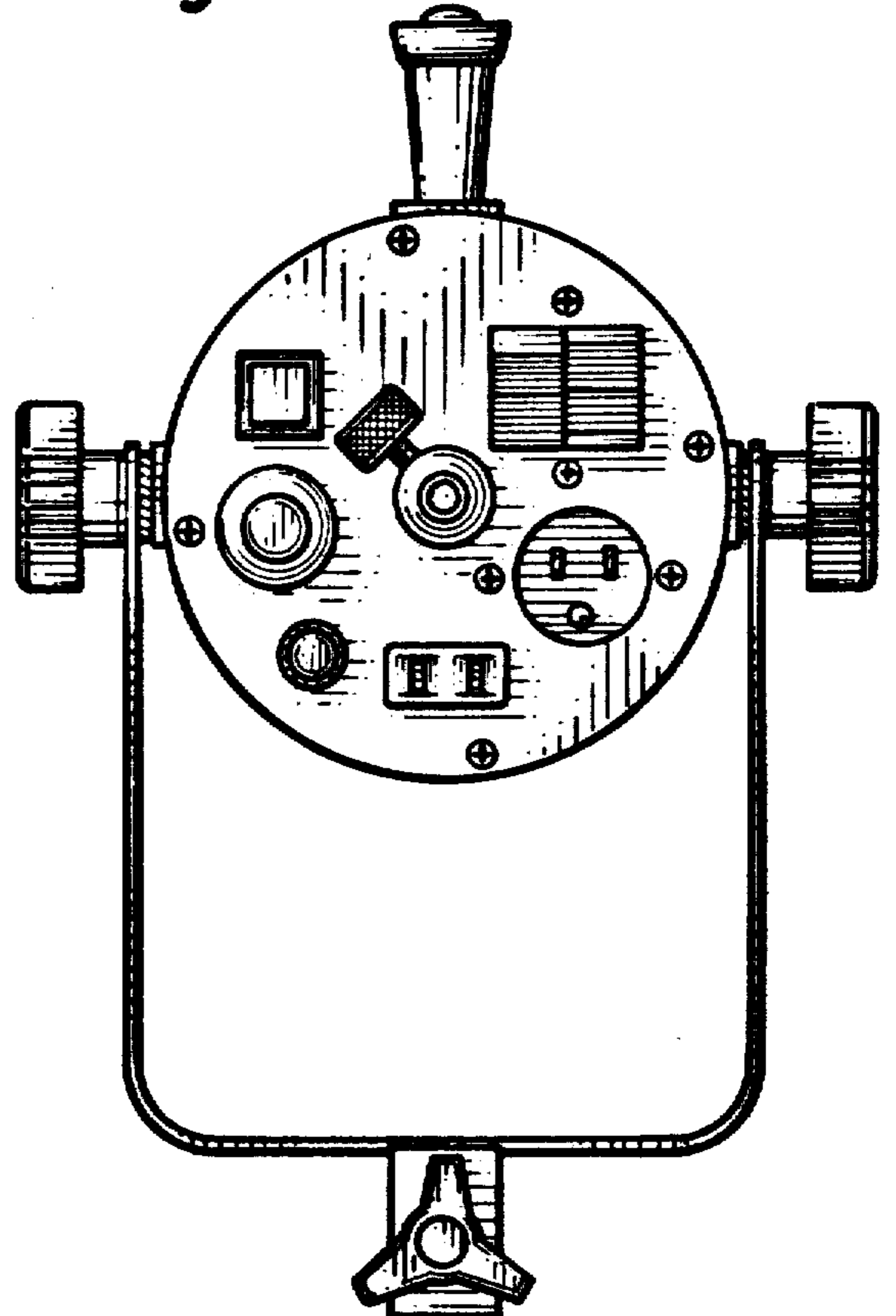
FIG. 5 is a bottom plan view thereof.



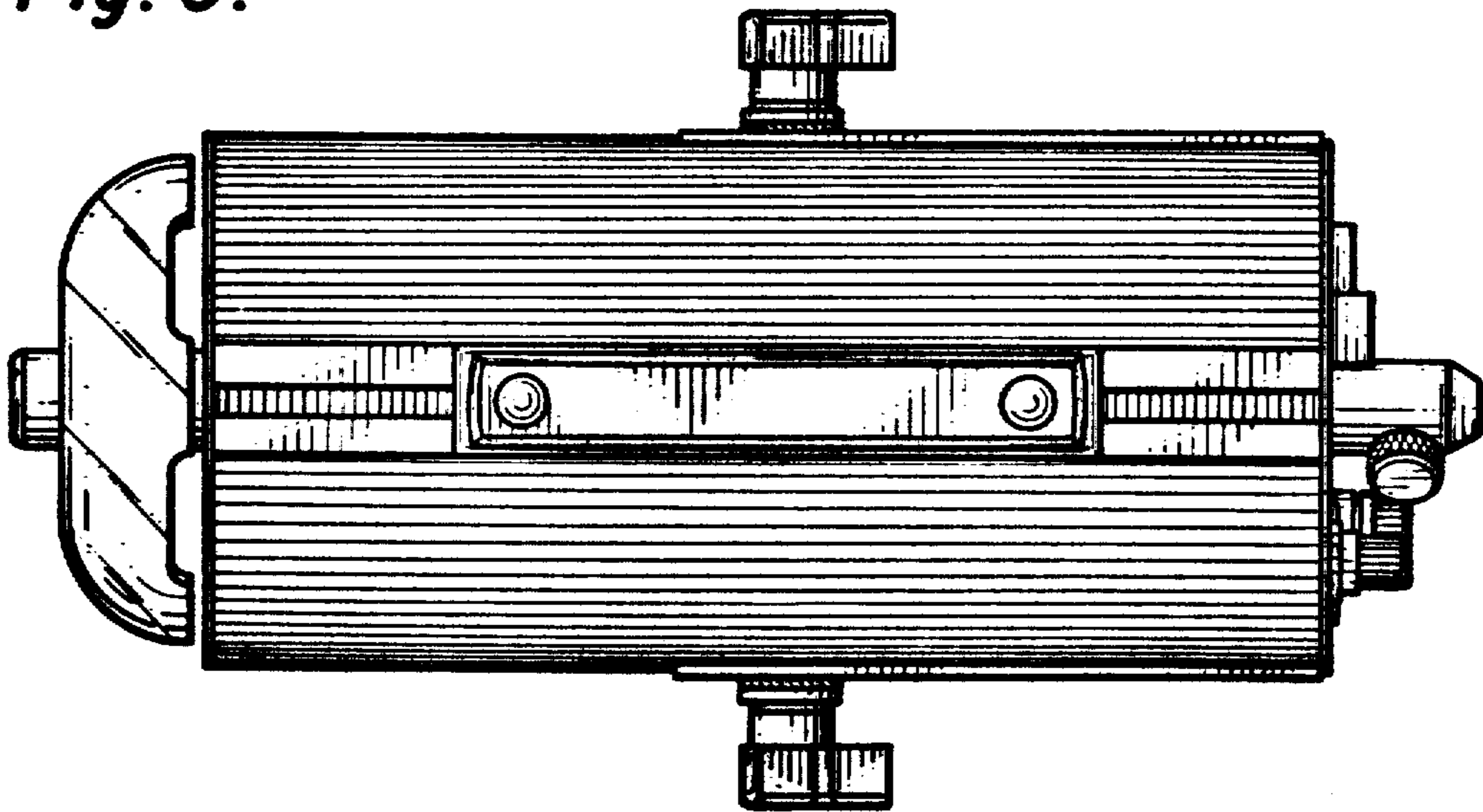
*Fig. 1.*



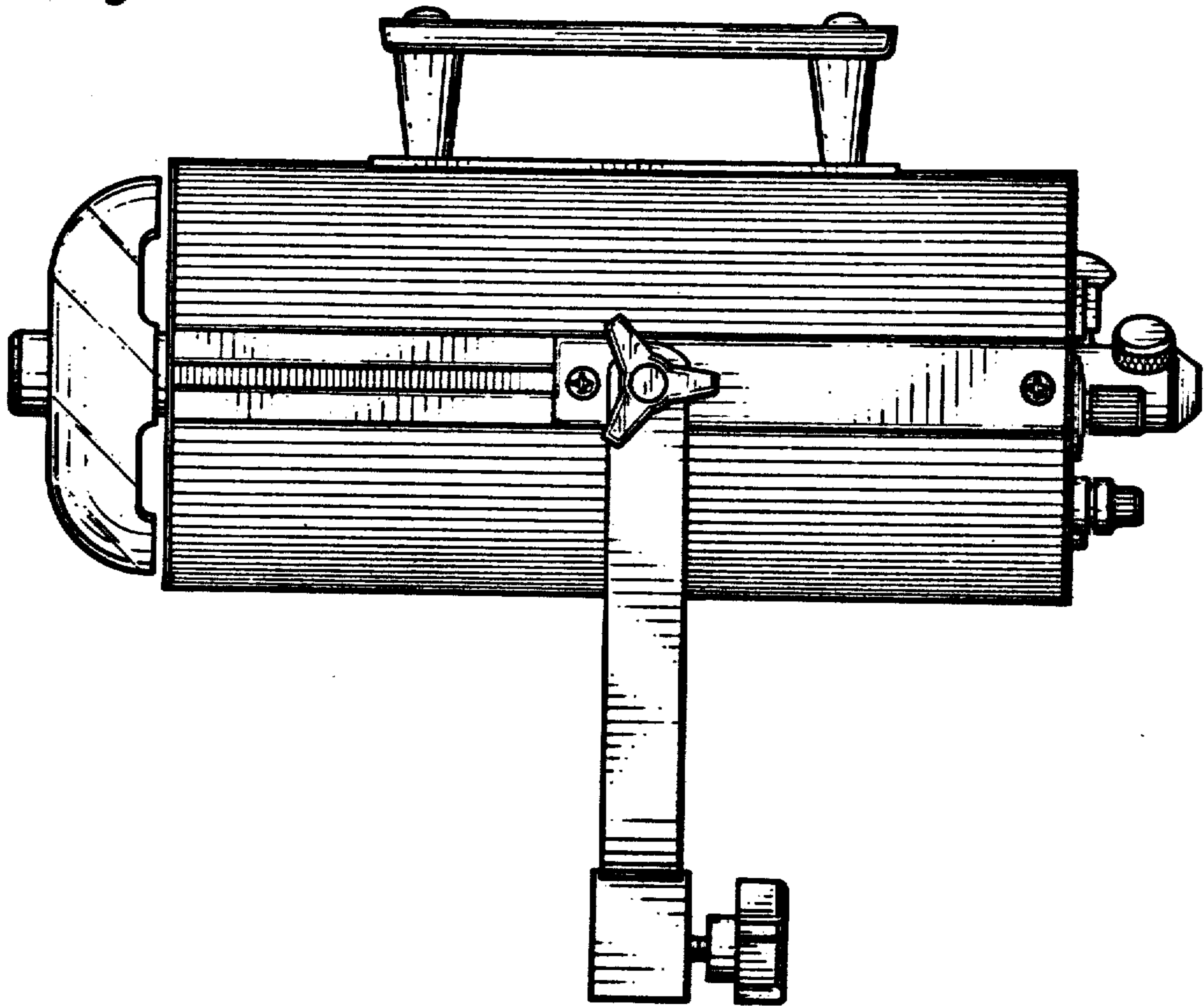
*Fig. 2.*



*Fig. 3.*



*Fig. 4.*



*Fig. 5.*

